



SBK,CBK,SLK,SPC 50/60Hz

SBK 1, 3, 5, 10, 15, 20, 32, 45, 64 series

CBK 2, 4, 8, 12 series

SLK 2, 4 series

SPC 2, 4, 8 series Coolant Pump

Immersible pump



STAIRS INDUSTRIAL CO., LTD.


SBK
General Data

Performance Range	1
Model Code	2
Applications	2
Feature	2
Motor	2
Pump Liquids	2
Standard Voltages	2
Mechanical Seals	3
Product Data	3
Installation	4
Material	5

Technical Data

SBK 1 50Hz	8
SBK 3 50Hz	10
SBK 5 50Hz	12
SBK 10 50Hz	14
SBK 15 50Hz	16
SBK 20 50Hz	18
SBK 32 50Hz	20
SBK 45 50Hz	22
SBK 64 50Hz	24
SBK 1 60Hz	26
SBK 3 60Hz	28
SBK 5 60Hz	30
SBK 10 60Hz	32
SBK 15 60Hz	34
SBK 20 60Hz	36
SBK 32 60Hz	38
SBK 45 60Hz	40
SBK 64 60Hz	42

SBK Series Immersible Pump

SBK pumps are vertical multistage centrifugal pumps especially designed for pumping of cooling lubricants for machine tools , and to be mounted on top of tanks with the pump stack immersed in the pumped liquid.

STAIRS SBK pumps are available with various pump sizes and various numbers of stages to provide the flow, the pressure and the length required.


CBK
General Data

Performance Range	44
Model Code	45
Applications	45
Feature	45
Motor	45
Pump Liquids	45
Standard Voltages	45
Mechanical Seals	46
Product Data	46
Installation	47
Material	48

Technical Data

CBK 2 50Hz	50
CBK 4 50Hz	54
CBK 8 50Hz	56
CBK 12 50Hz	58
CBK 2 60Hz	60
CBK 4 60Hz	64
CBK 8 60Hz	66
CBK 12 60Hz	68

CBK Series Immersible Pump

CBK pumps are vertical multistage centrifugal pumps especially designed for pumping of cooling lubricants for machine tools , and to be mounted on top of tanks with the pump stack immersed in the pumped liquid.

STAIRS CBK pumps are available with various pump sizes and various numbers of stages to provide the flow, the pressure and the length required.


SLK
General Data

Performance Range	70
Model Code	71
Applications	71
Feature	71
Motor	71
Pump Liquids	71
Standard Voltages	71
Mechanical Seals	72
Product Data	72
Installation	73
Material	74

Technical Data

SLK 2 50Hz	75
SLK 4 50Hz	77
SLK 2 60Hz	79
SLK 4 60Hz	81

SLK Series Immersible Pump

SLK pumps are vertical multistage centrifugal pumps especially designed for pumping of cooling lubricants for machine tools.

STAIRS SLK pumps are available with various pump sizes and various numbers of stages to provide the flow, the pressure and the length required.


SPC
General Data

Model Code	83
Applications	83
Motor	83
Pump	83
Power	83
Operating Conditions	83
Installation	83
Material	83

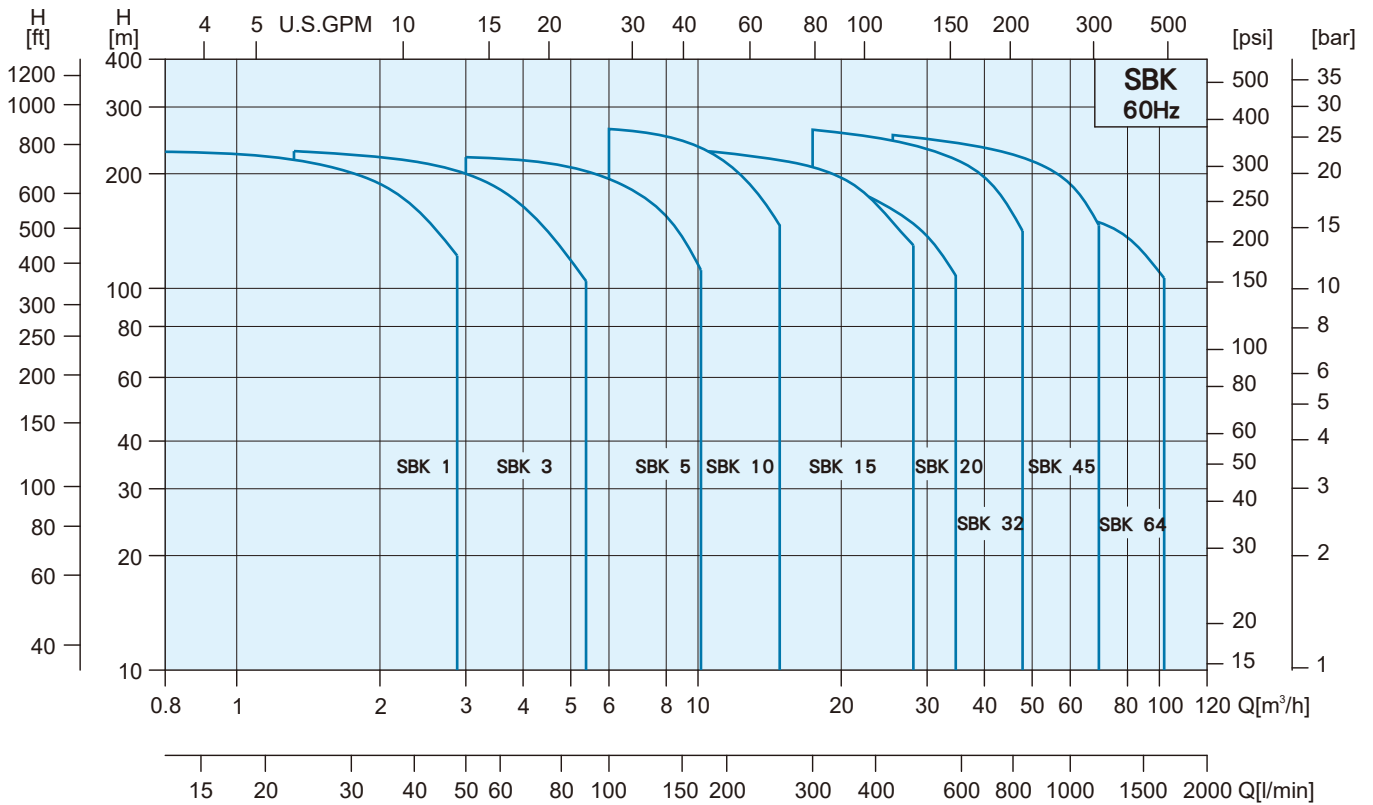
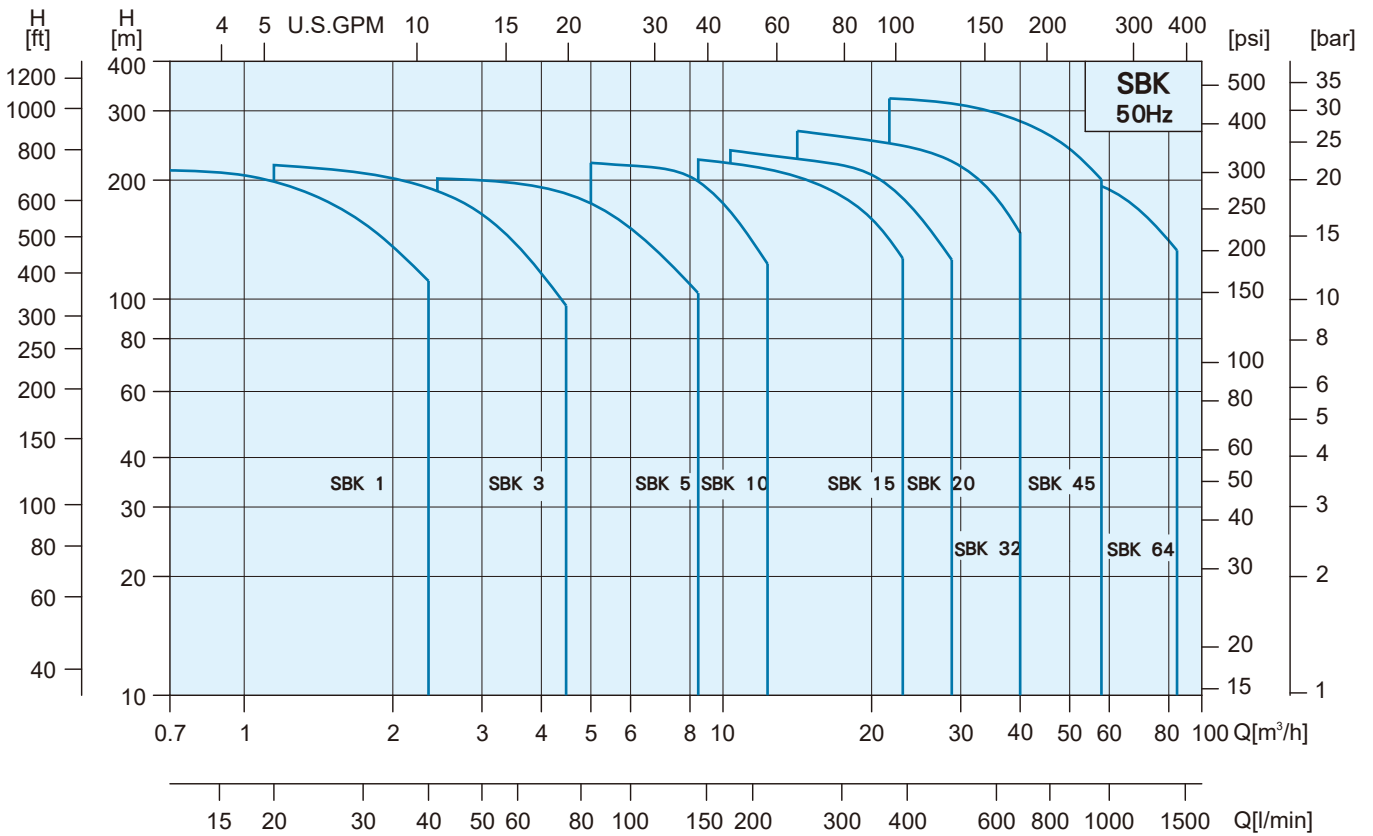
Technical Data

SPC 50Hz	84
SPC 60Hz	86

SPC Series Immersible Pump

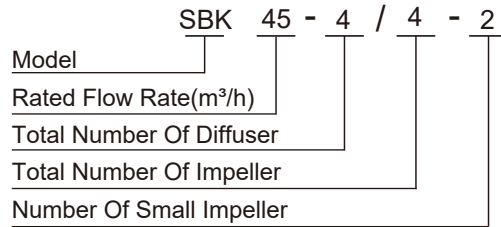
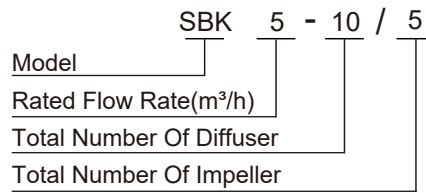
The SPC coolant pump is co-axial pump/motor design to processing-material cooling device such as milling, drilling, cutting, grinding these widely machine tools, it is suitable to deliver coolant, light oil and all kind non-aggressive liquids.

Performance Range





Model Code



Applications

- Cooling units
- Grinding machines
- Machine centers
- Spark machine tools
- Filtering systems
- Milling machines
- Boring machines
- Drilling machines
- Filtering systems
- Swarf conveyors
- Industrial washing machines

Feature

- Compact design
- High Efficiency Reliability
- Easy installation
- Flexible installation length
- Wide performance range
- Reliability
- Service-friendly

Motor

- SBK is fitted with totally enclosed fan-cooled, 2-pole standard motor.
- Enclosure class : IP 55
- Insulation class : F
- Ambient temperature : Max.+50°C

Pumped Liquids

Do not pump the explosive or aggressive liquids and the liquids should be free of fibers. The SBK pumps have the strainer in the suction chamber with inlet to prevent large particles from entering and damaging the pump. In order to avoid the larger particles block the filters, we suggest to filtrate elementarily before pumping the liquids with particles.

Standard Voltages

	Phase	kW	Voltages
50Hz	3Ø	0.37- 22.0	220-240V / 380-415V
		3.0 - 45.0	380-415V / 660-720V
60Hz	3Ø	0.37 - 1.1	220-255V / 380-440V
		3.0 - 22.0	220-277V / 380-480V
		3.0 - 22.0	380-480V / 660-830V
		30.0 - 45.0	220-240V / 380-415V
		30.0 - 45.0	380-415V / 660-720V
		30.0 - 45.0	460V

Mechanical Seals

Standard Cartridge type mechanical seal made of Tungsten carbide / Tungsten carbide Viton. The cartridge type mechanical seal can be replaced in minutes without special tools and without dismantling the pump.

Seal Type	SBK
	1,3,5,10,15,20,32,45,64
S: O-ring Seal Cartridge Type	●
Seals Face Material	
QQ	○
UU	●
Rubber Material	
E	○
V	●

● Std. ○ Opt. - N/A

SUUV Standard

Mechanical seal is available in different material per customer's demand.

List of Materials	
Q : Silicon carbide	E : EPDM
U : Tungsten carbide	V : Viton



Product Data

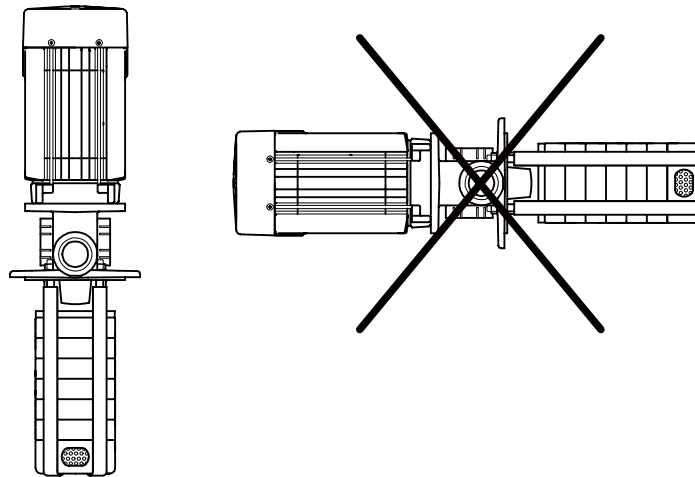
50Hz

Range	1	3	5	10	15	20	32	45	64
Rated Flow Rate(m³/h)	1.0	3.0	5.0	10.0	17.0	21.0	32.0	45.0	64.0
Flow Range (m³/h)	0.7~2.4	1.2~4.5	2.5~8.5	5~13	8.5~23.5	10.5~29	15~40	22~58	30~85
Maximum Head (bar)	22	23	24	23	23	24	27	32	22
Motor Power (kW)	0.37~2.2	0.37~3.0	0.37~5.5	0.75~7.5	1.1~15.0	1.1~18.5	1.5~30.0	3.0~45.0	4.0~45.0
Temperature Range (°C)	-10 to +90								
Pipe Connection									
Union	Rp 1 1/4			Rp 2"					
Flange							DN65	DN80	

60Hz

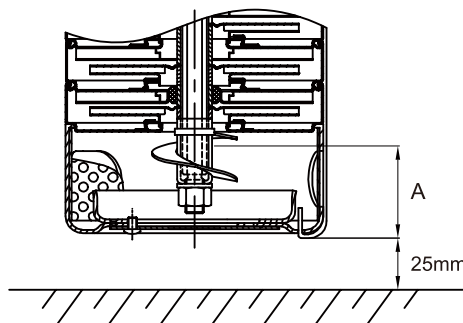
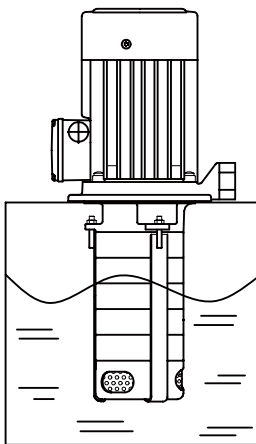
Range	1	3	5	10	15	20	32	45	64
Rated Flow Rate(m³/h)	1.2	3.6	6.0	12.1	20.5	25.3	38.0	54.0	77.0
Flow Range (m³/h)	0.8~2.9	1.4~5.4	3~10	6~15.7	10.2~28.4	12.6~35	18~48	26~70	36~102
Maximum Head (bar)	24	23	23	26	23	21	27	26	18
Motor Power (kW)	0.37~2.2	0.37~4.0	0.55~7.5	0.75~11	1.5~18.5	2.2~18.5	2.2~30	5.5~45	7.5~45
Temperature Range (°C)	-10 to +90								
Pipe Connection									
Union	Rp 1 1/4			Rp 2"					
Flange							DN65	DN80	

Installation



Note

- > When you install the SBK 1,3,5,10,15,20,32,45,64 series pumps, you must follow the instruction as below.
- > The distance between the liquid level and the pump bottom (Minimum) : A (mm)
- > The distance between the pump and the tank bottom (Minimum) : 25mm

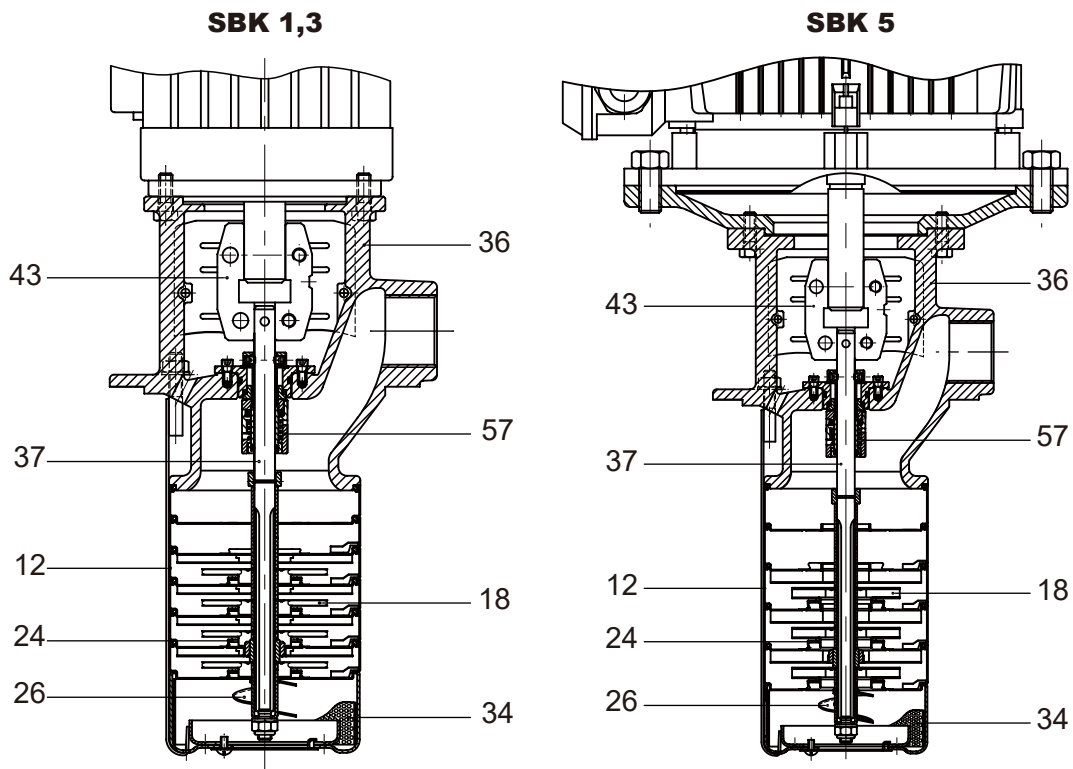


Model	A (mm)
SBK 1,3,5	40
SBK 10,15,20	50
SBK 32,45,64	70

Pump Type	Particles Handling Of Filter	Particles Handling Of Impeller
	mm	Max.mm
SBK 1	2.0	2.5
SBK 3	2.0	3.1
SBK 5	4.0	5.5
SBK 10	4.0	5.5
SBK 15	4.0	6.0
SBK 20	4.0	7.9
SBK 32	4.0	8.0
SBK 45	4.0	9.5
SBK 64	4.0	13.0

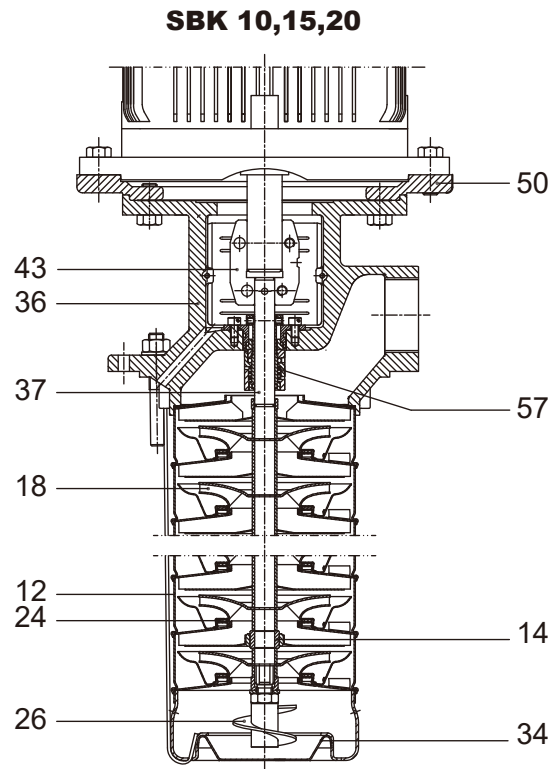
NOTE:Do not remove the filters.

Materials



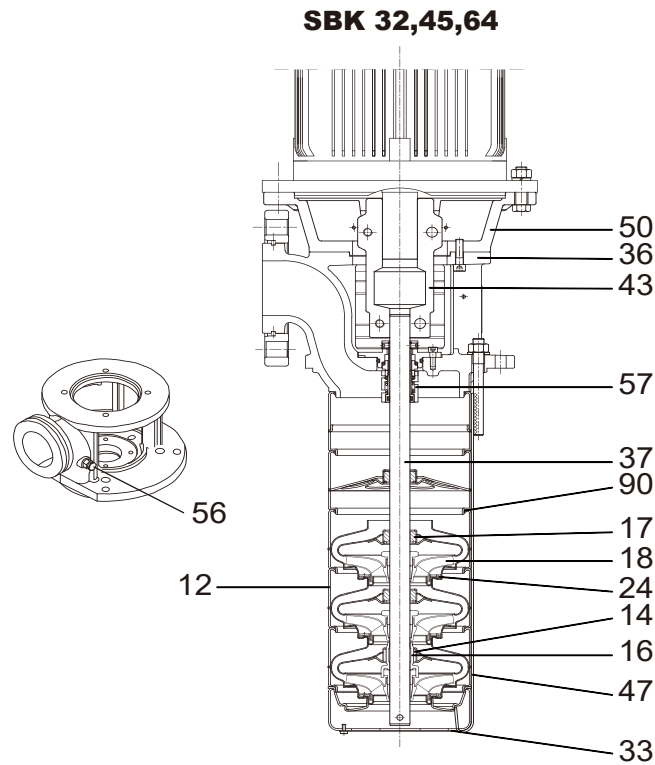
Pos.	Name	Material	Europe	AISI/ASTM
12	Chamber complete	Stainless steel	1.4301	AISI 304
18	Impeller	Stainless steel	1.4301	AISI 304
24	Neck ring	PTFE		
26	Priming screw	Stainless steel	1.4301	AISI 304
34	Strainer	Stainless steel	1.4301	AISI 304
36	Pump head	Cast Iron EN-GJL-200	0.6020	ASTM 25B
37	Pump shaft	Stainless steel	1.4057	AISI 431
43	Coupling			
57	Shaft seal	SUUV		

Materials



Pos.	Name	Material	Europe	AISI/ASTM
12	Chamber complete	Stainless steel	1.4301	AISI 304
14	Bearing ring	Sic		
18	Impeller	Stainless steel	1.4301	AISI 304
24	Neck ring	PTFE		
26	Priming screw	Stainless steel	1.4301	AISI 304
34	Strainer	Stainless steel	1.4301	AISI 304
36	Pump head	Cast Iron EN-GJL-200	0.6020	ASTM 25B
37	Pump shaft	Stainless steel	1.4057	AISI 431
43	Coupling			
50	Motor stool	EN-GJL-200	0.6020	ASTM 25B
57	Shaft seal	SUUV		

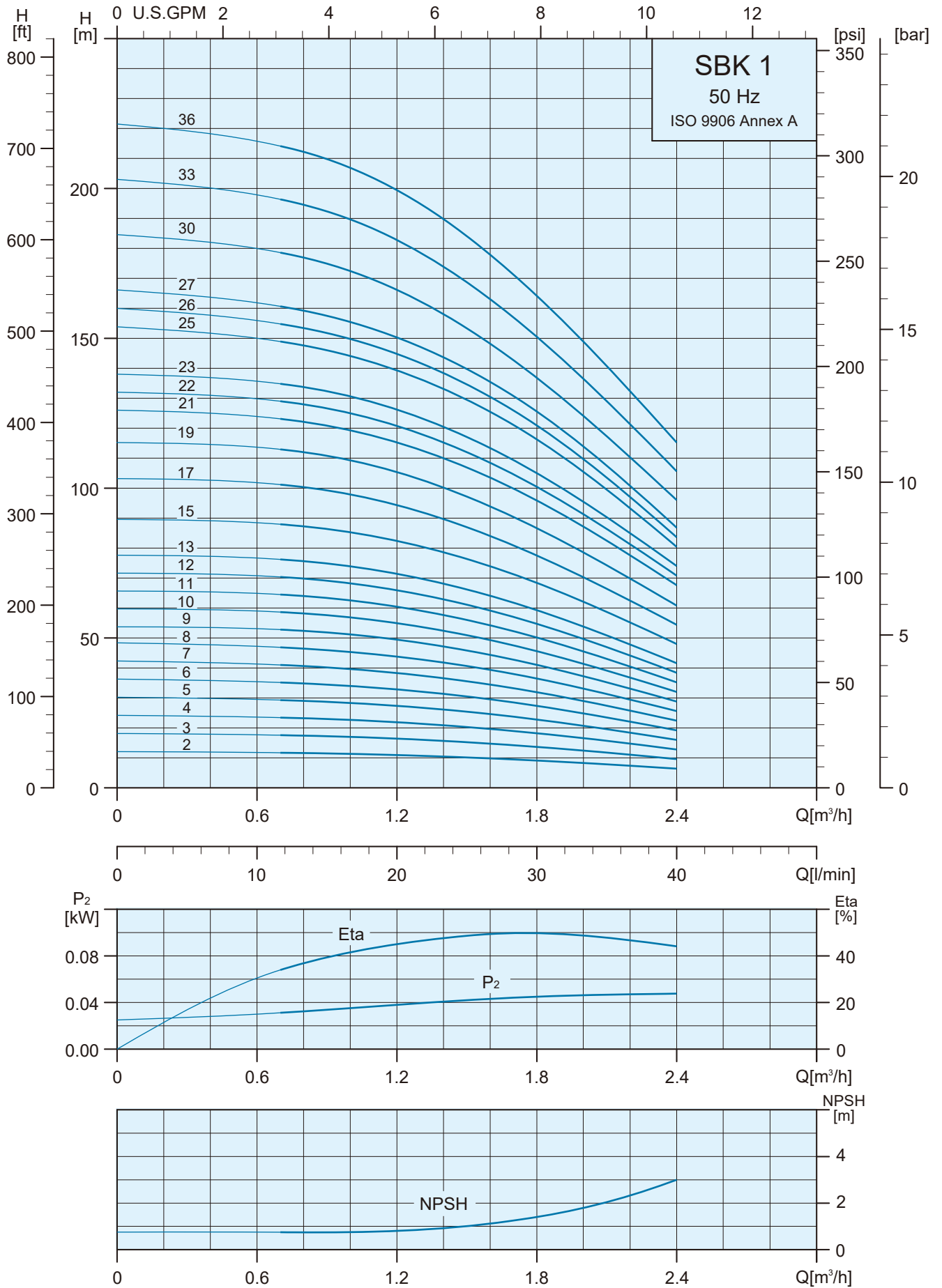
Materials



Pos.	Name	Material	Europe	AISI/ASTM
12	Chamber complete	Stainless steel	1.4301	AISI 304
14	Bearing ring,sta	Tungsten carbide		
16	Bearing ring,rot	Tungsten carbide		
17	Bush	POB complete		
18	Impeller	Stainless steel	1.4301	AISI 304
24	Neck ring	PTFE		
33	Suction strainer,Ø4mm holes	Stainless steel	1.4301	AISI 304
36	Pump head	Cast Iron	EN-GJL-200	ASTM 25B
37	Pump shaft	Stainless steel	1.4057	AISI 431
43	Coupling	Cast Iron	EN-GJL-500-7	ASTM 80-55-06
47	Strap	Stainless steel	1.4301	AISI 304
50	Motor stool	Cast Iron	EN-GJL-250	ASTM 35B
56	Air vent screw	Stainless steel	1.4301	AISI 304
57	Shaft seal	SUUV		
90	*O-ring	NBR		

*Only used in pumps with empty chambers

Performance Range

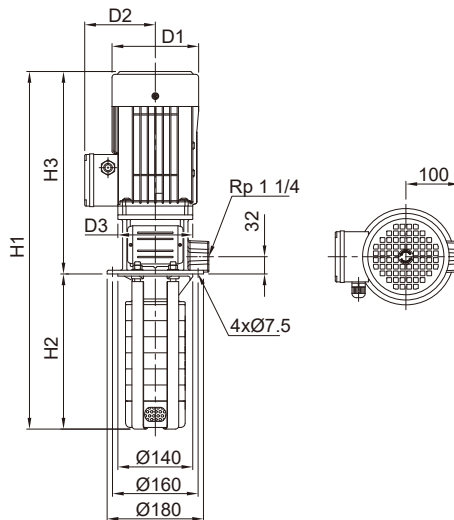


Specifications

Pump Type	Motor	
	P ₂	
	kW	HP
SBK 1-2/2	0.37	0.5
SBK 1-3/3	0.37	0.5
SBK 1-4/4	0.37	0.5
SBK 1-5/5	0.37	0.5
SBK 1-6/6	0.37	0.5
SBK 1-7/7	0.37	0.5
SBK 1-8/8	0.55	0.75
SBK 1-9/9	0.55	0.75
SBK 1-10/10	0.55	0.75
SBK 1-11/11	0.55	0.75
SBK 1-12/12	0.75	1.0
SBK 1-13/13	0.75	1.0

Pump Type	Motor	
	P ₂	
	kW	HP
SBK 1-15/15	0.75	1.0
SBK 1-17/17	1.1	1.5
SBK 1-19/19	1.1	1.5
SBK 1-21/21	1.1	1.5
SBK 1-22/22	1.1	1.5
SBK 1-23/23	1.1	1.5
SBK 1-25/25	1.5	2.0
SBK 1-26/26	1.5	2.0
SBK 1-27/27	1.5	2.0
SBK 1-30/30	1.5	2.0
SBK 1-33/33	2.2	3.0
SBK 1-36/36	2.2	3.0

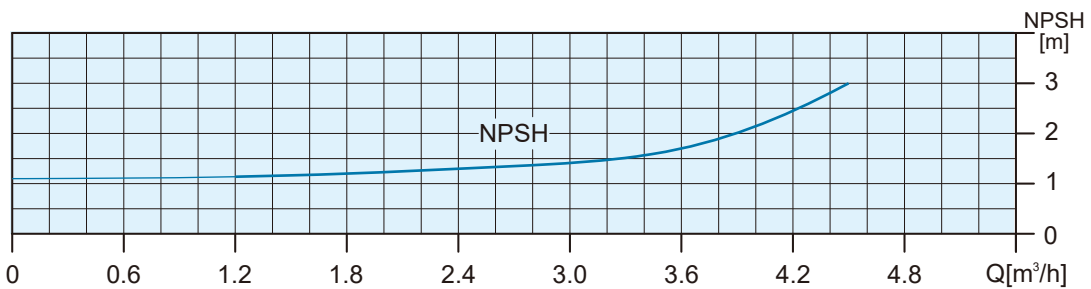
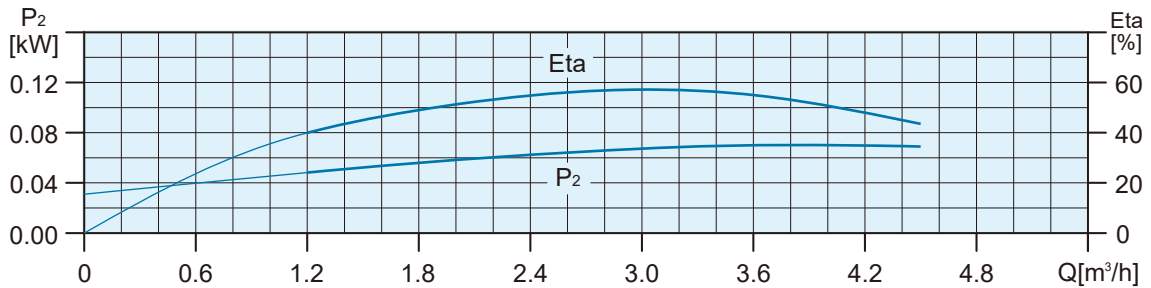
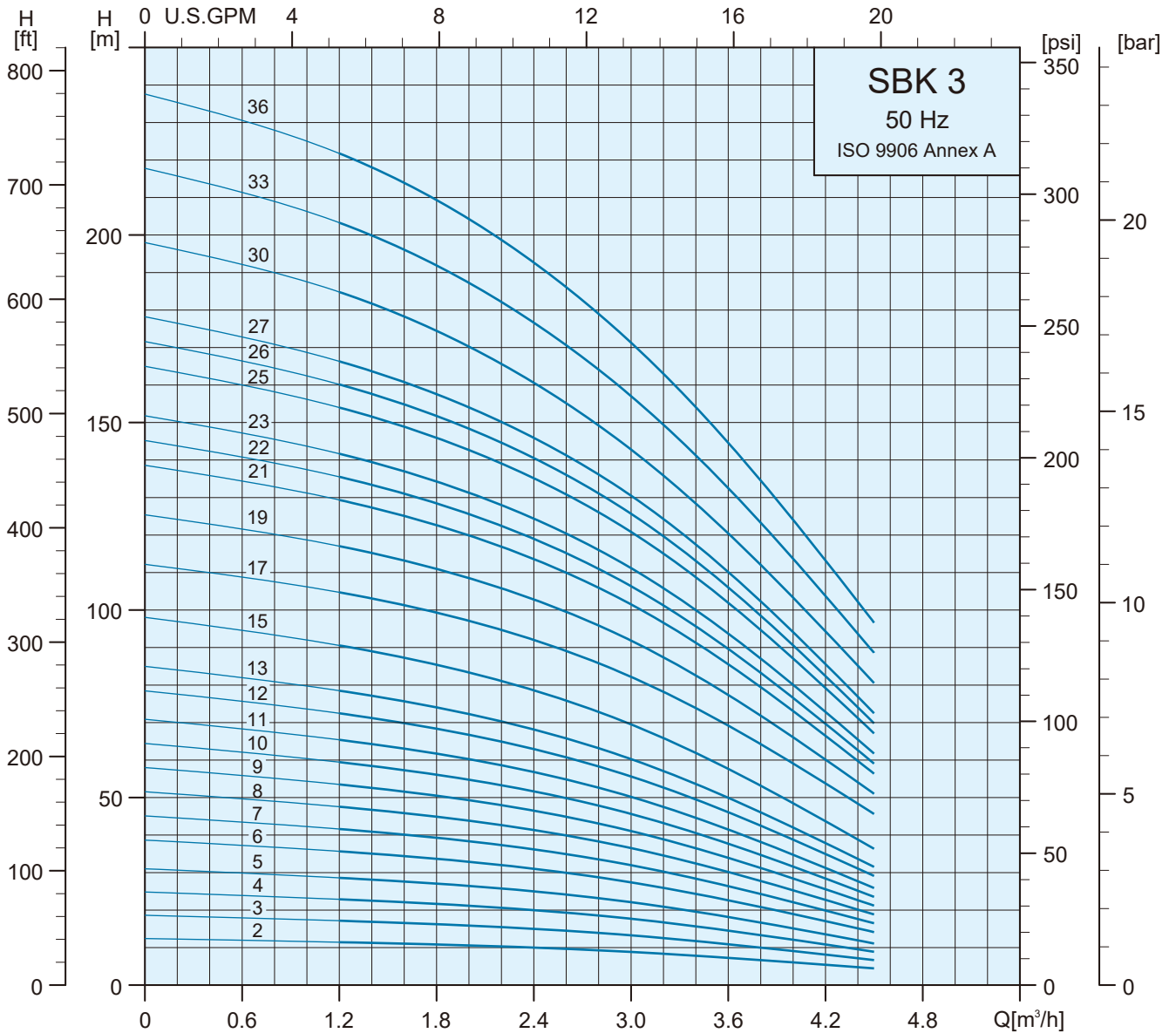
Dimensions and Weights



Pump Type	Dimensions (mm)						Net Weight (kg)
	H1	H2	H3	D1	D2	D3	
SBK 1-2/2	465.4	160	305.4	141	115	140	12.1
SBK 1-3/3	483.4	178	305.4	141	115	140	12.3
SBK 1-4/4	501.4	196	305.4	141	115	140	12.5
SBK 1-5/5	519.4	214	305.4	141	115	140	12.7
SBK 1-6/6	537.4	232	305.4	141	115	140	13.0
SBK 1-7/7	555.4	250	305.4	141	115	140	13.2
SBK 1-8/8	573.4	268	305.4	141	115	140	13.9
SBK 1-9/9	591.4	286	305.4	141	115	140	14.2
SBK 1-10/10	609.4	304	305.4	141	115	140	14.4
SBK 1-11/11	627.4	322	305.4	141	115	140	14.6
SBK 1-12/12	685.4	340	345.4	141	115	140	16.5
SBK 1-13/13	703.4	358	345.4	141	115	140	16.7

Pump Type	Dimensions (mm)						Net Weight (kg)
	H1	H2	H3	D1	D2	D3	
SBK 1-15/15	739.4	394	345.4	141	115	140	17.1
SBK 1-17/17	829.4	430	399.4	177	141	140	24.3
SBK 1-19/19	865.4	466	399.4	177	141	140	24.8
SBK 1-21/21	901.4	502	399.4	177	141	140	25.2
SBK 1-22/22	919.4	520	399.4	177	141	140	25.5
SBK 1-23/23	937.4	538	399.4	177	141	140	25.7
SBK 1-25/25	979.4	574	405.4	177	141	140	29.8
SBK 1-26/26	997.4	592	405.4	177	141	140	30.0
SBK 1-27/27	1015	610	405.4	177	141	140	30.2
SBK 1-30/30	1069	664	405.4	177	141	140	30.9
SBK 1-33/33	1123	718	405.4	177	141	140	33.8
SBK 1-36/36	1177	772	405.4	177	141	140	34.5

Performance Range

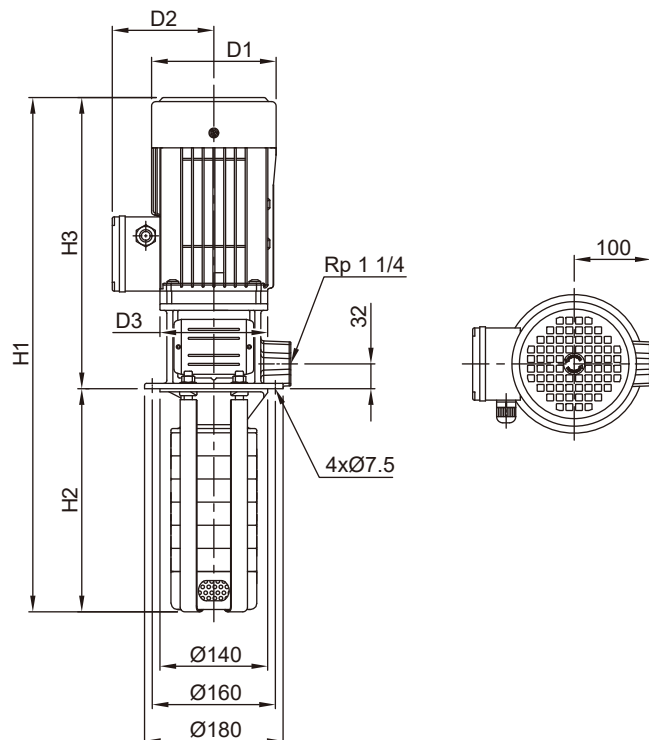


Specifications

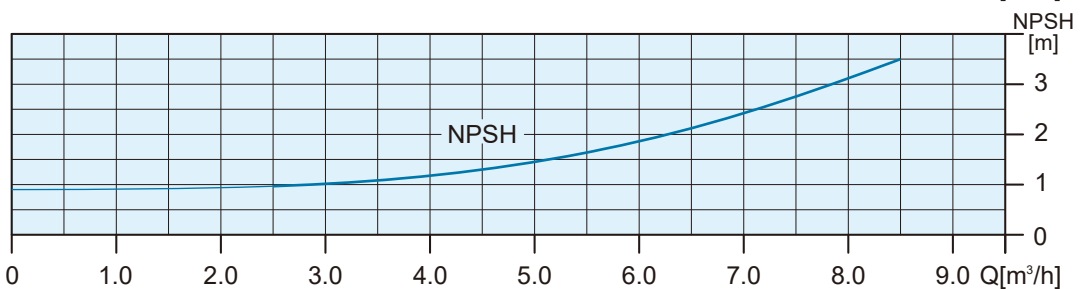
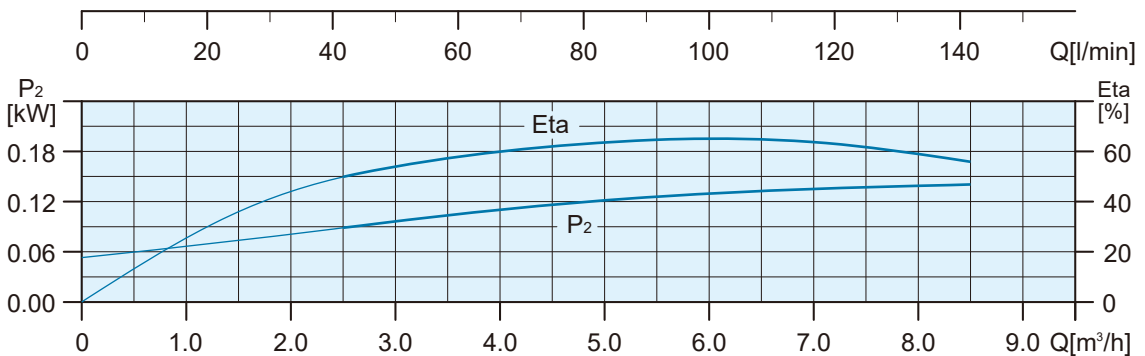
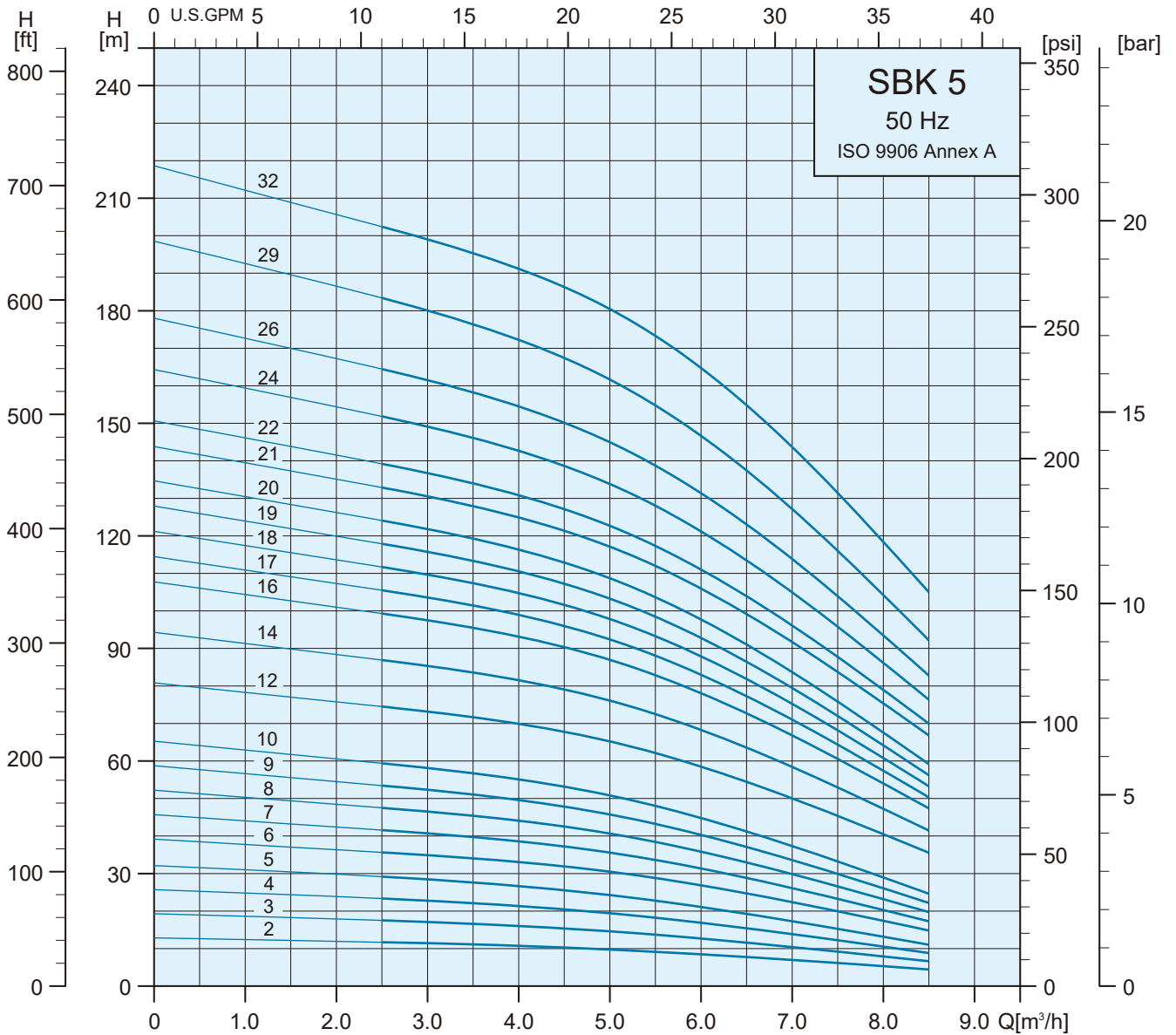
Pump Type	Motor	
	P ₂	
	kW	HP
SBK 3-2/2	0.37	0.5
SBK 3-3/3	0.37	0.5
SBK 3-4/4	0.37	0.5
SBK 3-5/5	0.37	0.5
SBK 3-6/6	0.55	0.75
SBK 3-7/7	0.55	0.75
SBK 3-8/8	0.75	1.0
SBK 3-9/9	0.75	1.0
SBK 3-10/10	0.75	1.0
SBK 3-11/11	0.75	1.0
SBK 3-12/12	1.1	1.5
SBK 3-13/13	1.1	1.5
SBK 3-15/15	1.1	1.5
SBK 3-17/17	1.5	2.0
SBK 3-19/19	1.5	2.0
SBK 3-21/21	2.2	3.0
SBK 3-22/22	2.2	3.0
SBK 3-23/23	2.2	3.0
SBK 3-25/25	2.2	3.0
SBK 3-26/26	2.2	3.0
SBK 3-27/27	2.2	3.0
SBK 3-30/30	3.0	4.0
SBK 3-33/33	3.0	4.0
SBK 3-36/36	3.0	4.0

Dimensions and Weights

Dimensions (mm)						Net Weight (kg)
H1	H2	H3	D1	D2	D3	
465.4	160	305.4	141	115	140	12.1
483.4	178	305.4	141	115	140	12.3
501.4	196	305.4	141	115	140	12.5
519.4	214	305.4	141	115	140	12.7
537.4	232	305.4	141	115	140	13.5
555.4	250	305.4	141	115	140	13.7
613.4	268	345.4	141	115	140	15.5
631.4	286	345.4	141	115	140	15.8
649.4	304	345.4	141	115	140	16.0
667.4	322	345.4	141	115	140	16.2
739.4	340	399.4	177	141	140	23.2
757.4	358	399.4	177	141	140	23.4
793.4	394	399.4	177	141	140	23.9
835.4	430	405.4	177	141	140	27.9
871.4	466	405.4	177	141	140	28.4
907.4	502	405.4	177	141	140	31.1
925.4	520	405.4	177	141	140	31.3
943.4	538	405.4	177	141	140	31.5
979.4	574	405.4	177	141	140	32.0
997.4	592	405.4	177	141	140	32.2
1015.4	610	405.4	177	141	140	32.4
1095.9	664	431.9	197	147	160	35.4
1149.9	718	431.9	197	147	160	37.0
1203.9	772	431.9	197	147	160	37.7



Performance Range

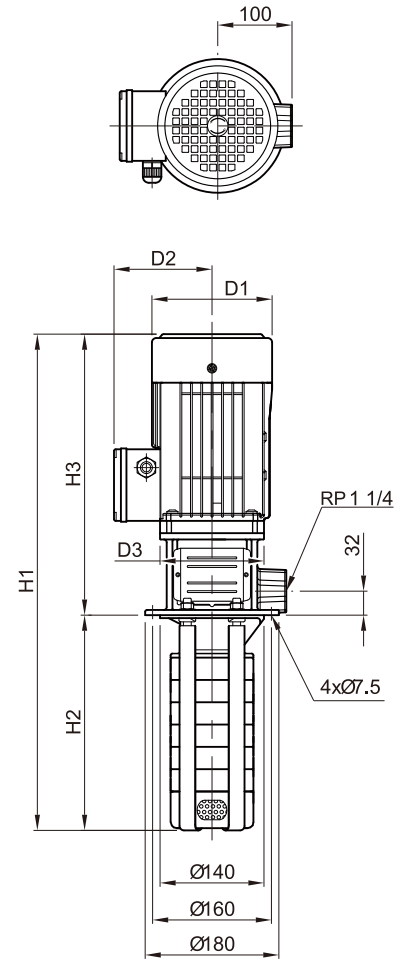


Specifications

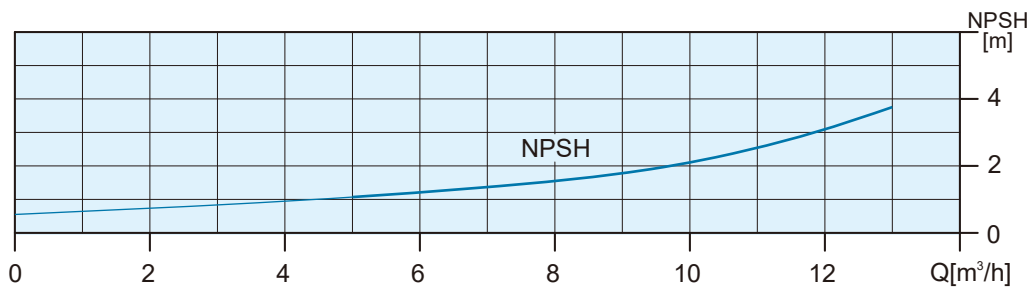
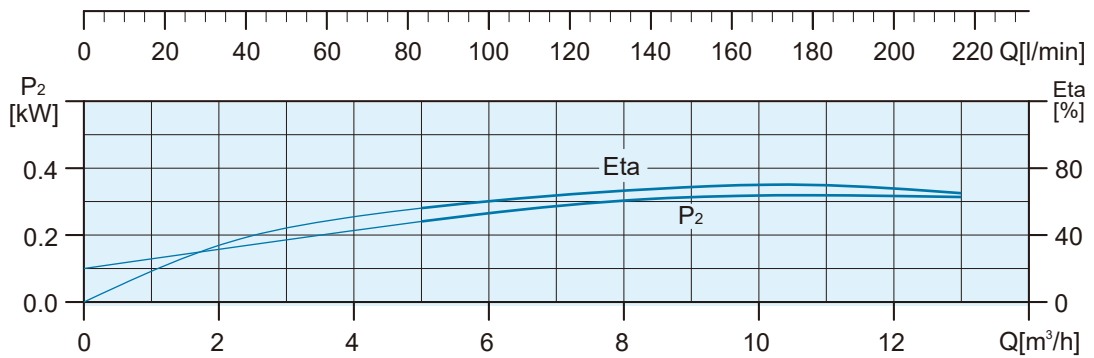
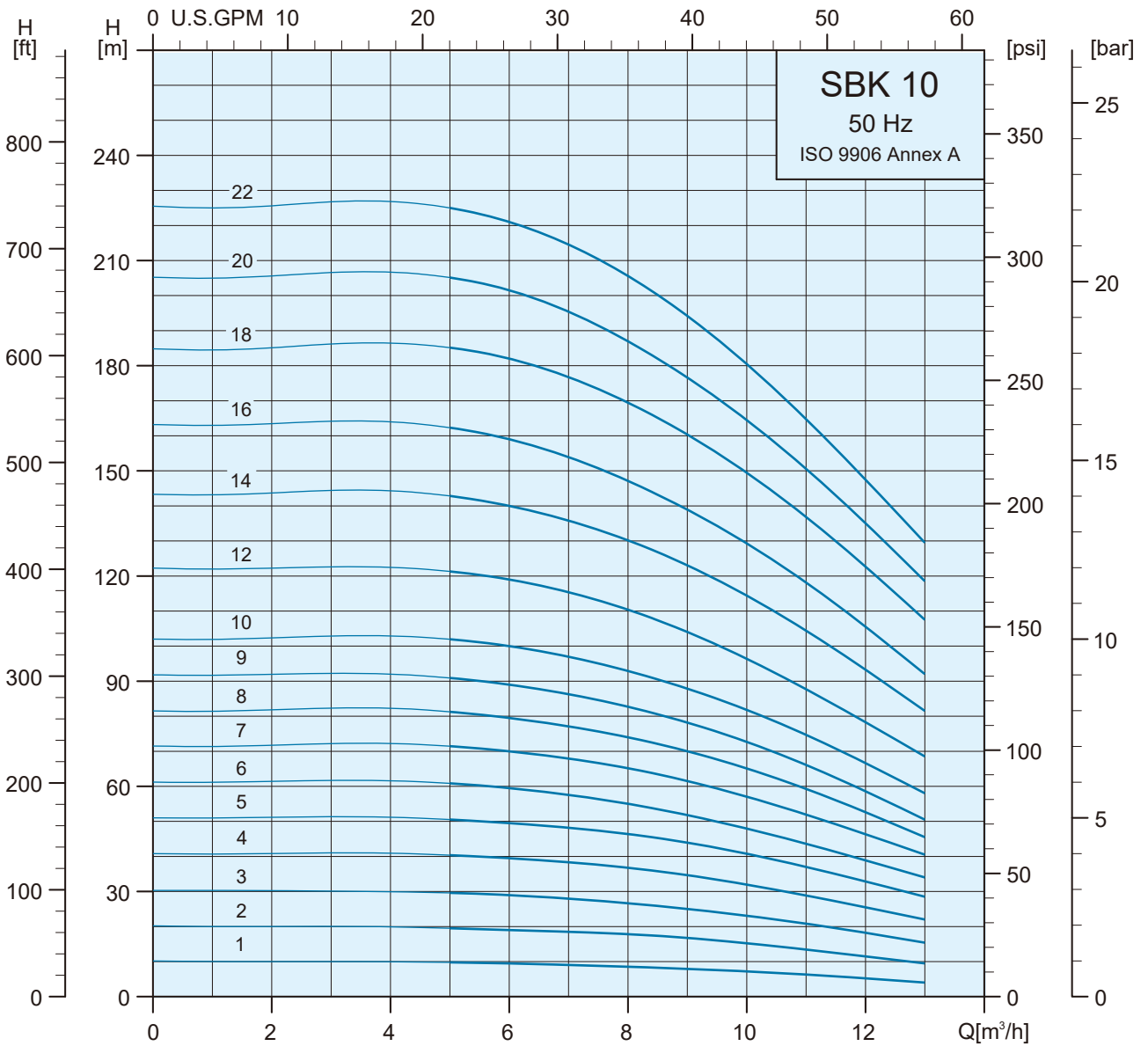
Pump Type	Motor	
	P ₂	
	kW	HP
SBK 5-2/2	0.37	0.5
SBK 5-3/3	0.55	0.75
SBK 5-4/4	0.55	0.75
SBK 5-5/5	0.75	1.0
SBK 5-6/6	1.1	1.5
SBK 5-7/7	1.1	1.5
SBK 5-8/8	1.1	1.5
SBK 5-9/9	1.5	2.0
SBK 5-10/10	1.5	2.0
SBK 5-12/12	2.2	3.0
SBK 5-14/14	2.2	3.0
SBK 5-16/16	2.2	3.0
SBK 5-17/17	3.0	4.0
SBK 5-18/18	3.0	4.0
SBK 5-19/19	3.0	4.0
SBK 5-20/20	3.0	4.0
SBK 5-21/21	3.0	4.0
SBK 5-22/22	4.0	5.5
SBK 5-24/24	4.0	5.5
SBK 5-26/26	4.0	5.5
SBK 5-29/29	4.0	5.5
SBK 5-32/32	5.5	7.5

Dimensions and Weights

Dimensions (mm)						Net Weight (kg)
H1	H2	H3	D1	D2	D3	
492.4	187	305.4	141	115	140	12.2
519.4	214	305.4	141	115	140	13.1
546.4	241	305.4	141	115	140	13.4
613.4	268	345.4	141	115	140	15.4
694.4	295	399.4	177	141	140	22.5
721.4	322	399.4	177	141	140	22.9
748.4	349	399.4	177	141	140	23.2
781.4	376	405.4	177	141	140	27.8
808.4	403	405.4	177	141	140	28.1
862.4	457	405.4	177	141	140	30.7
916.4	511	405.4	177	141	140	31.1
970.4	565	405.4	177	141	140	31.4
1023.9	592	431.9	197	147	160	35.9
1050.9	619	431.9	197	147	160	36.3
1077.9	646	431.9	197	147	160	36.6
1104.9	673	431.9	197	147	160	37.0
1131.9	700	431.9	197	147	160	37.4
1168.9	727	441.9	220	161	160	47.6
1222.9	781	441.9	220	161	160	48.4
1276.9	835	441.9	220	161	160	49.1
1357.9	916	441.9	220	161	160	50.2
1503.9	997	506.9	235	197	300	70.3



Performance Range

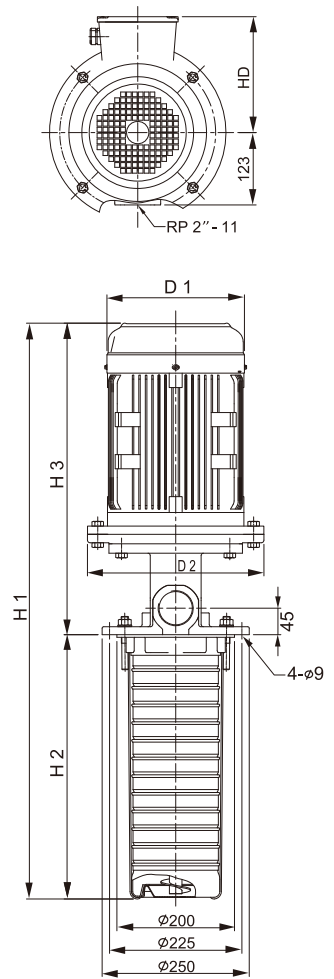


Specifications

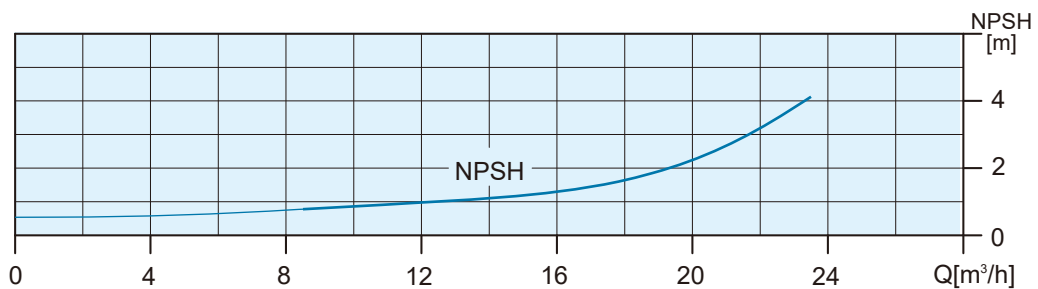
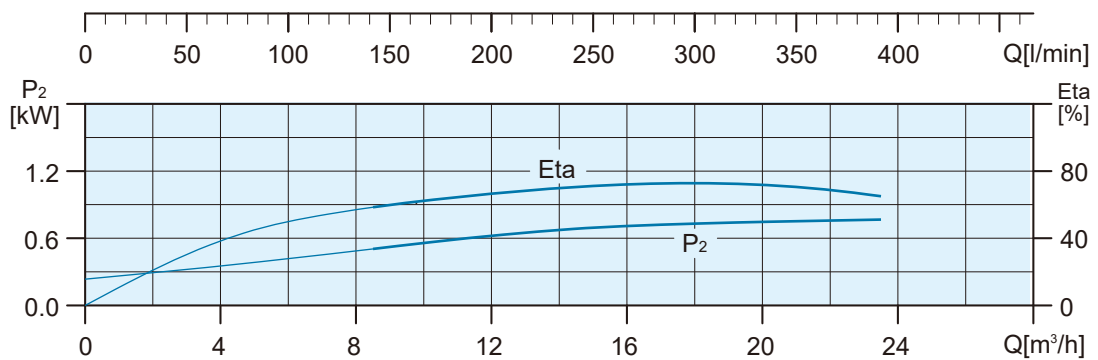
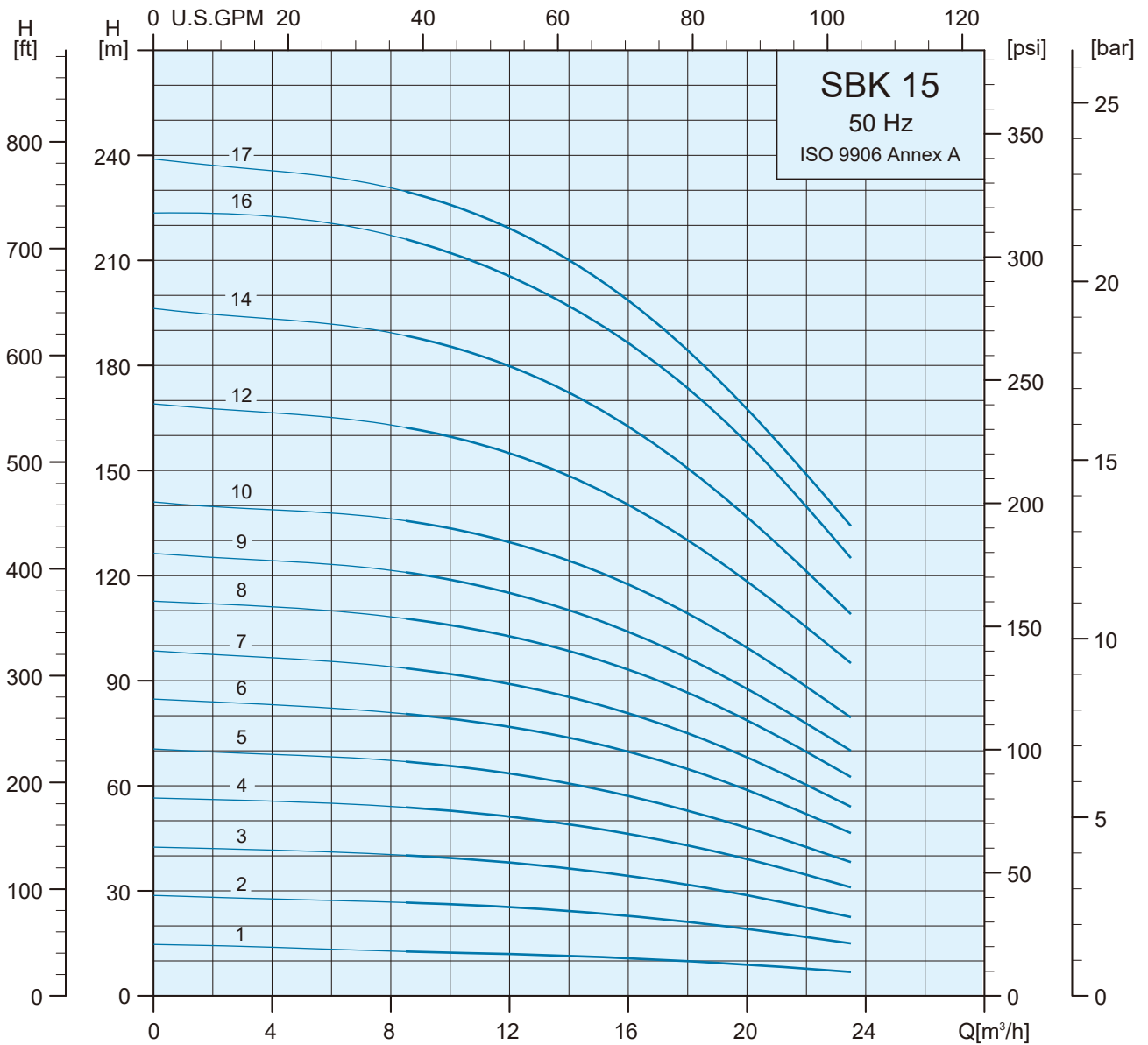
Pump Type	Motor	
	P ₂	
	kW	HP
SBK 10-2/1	0.75	1.0
SBK 10-2/2	0.75	1.0
SBK 10-3/3	1.1	1.5
SBK 10-4/4	1.5	2.0
SBK 10-5/5	2.2	3.0
SBK 10-6/6	2.2	3.0
SBK 10-7/7	3.0	4.0
SBK 10-8/8	3.0	4.0
SBK 10-9/9	3.0	4.0
SBK 10-10/10	4.0	5.5
SBK 10-12/12	4.0	5.5
SBK 10-14/14	5.5	7.5
SBK 10-16/16	5.5	7.5
SBK 10-18/18	7.5	10.0
SBK 10-20/20	7.5	10.0
SBK 10-22/22	7.5	10.0

Dimensions and Weights

Dimensions (mm)						Net Weight (kg)
H1	H2	H3	D1	D2	HD	
523	148	375	141	140	115	21.7
523	148	375	141	140	115	21.8
607	178	429	177	140	141	29.3
643	208	435	177	140	141	33.8
673	238	435	177	140	141	36.9
703	268	435	177	140	141	37.6
755	298	457	197	160	147	44.3
785	328	457	197	160	147	45.0
815	358	457	197	160	147	45.9
855	388	467	220	160	161	53.4
915	448	467	220	160	161	54.9
1041	508	533	235	300	197	81.4
1101	568	533	235	300	197	82.9
1204	628	576	235	300	197	90.4
1264	688	576	235	300	197	91.9
1324	748	576	235	300	197	93.4



Performance Range

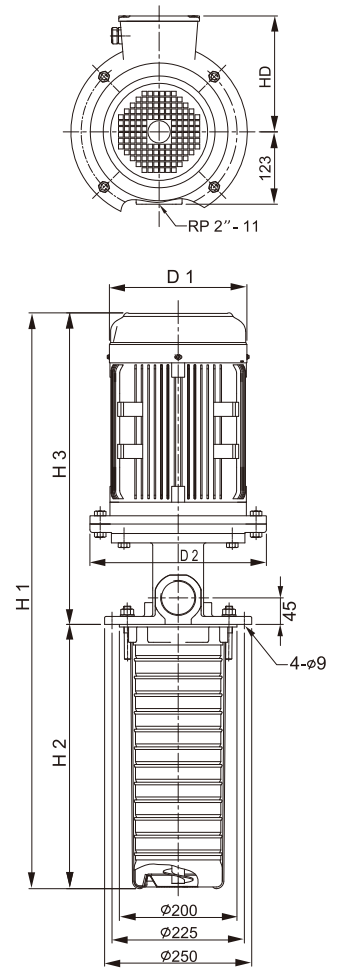


Specifications

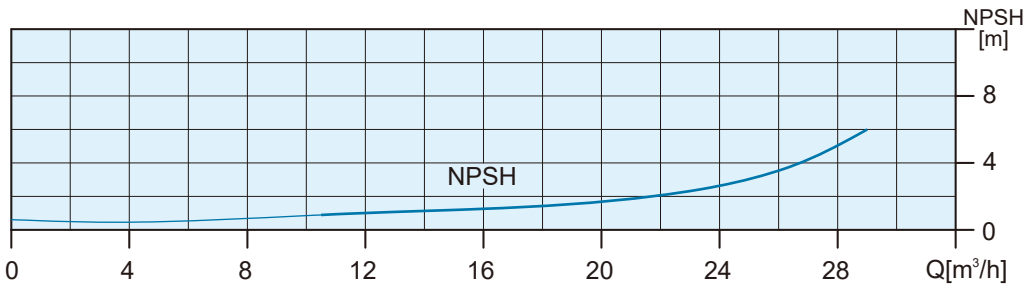
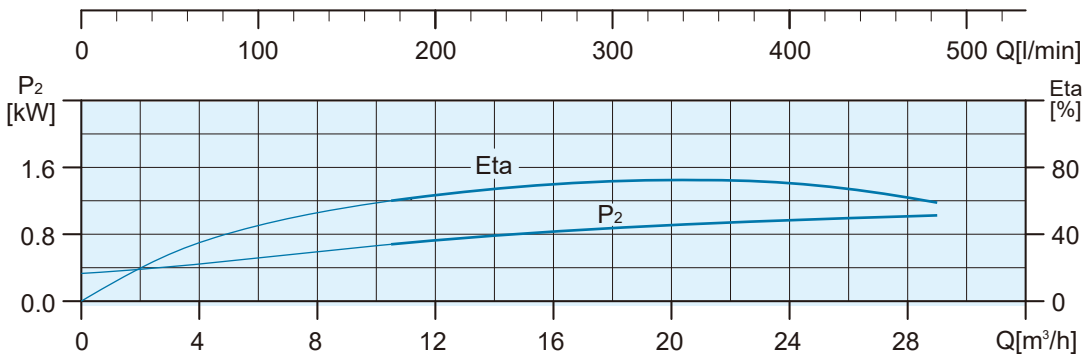
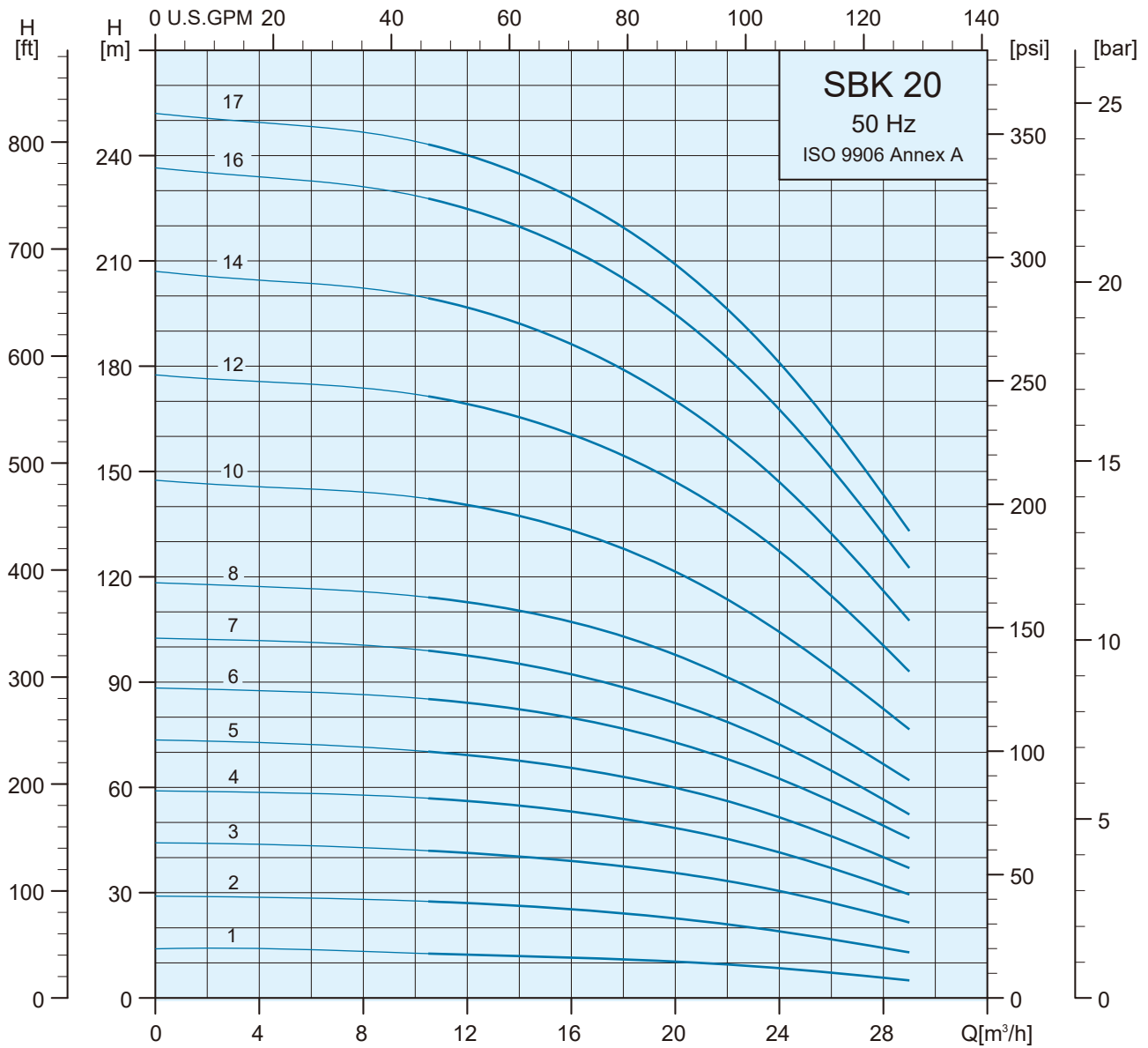
Pump Type	Motor	
	P ₂	
	kW	HP
SBK 15-2/1	1.1	1.5
SBK 15-2/2	2.2	3.0
SBK 15-3/3	3.0	4.0
SBK 15-4/4	4.0	5.5
SBK 15-5/5	4.0	5.5
SBK 15-6/6	5.5	7.5
SBK 15-7/7	5.5	7.5
SBK 15-8/8	7.5	10.0
SBK 15-9/9	7.5	10.0
SBK 15-10/10	11.0	15.0
SBK 15-12/12	11.0	15.0
SBK 15-14/14	11.0	15.0
SBK 15-16/16	15.0	20.0
SBK 15-17/17	15.0	20.0

Dimensions and Weights

Dimensions (mm)						Net Weight (kg)
H1	H2	H3	D1	D2	HD	
607	178	429	177	140	141	29.2
613	178	435	177	140	141	35.6
680	223	457	197	160	147	38.9
735	268	467	220	160	161	47.3
780	313	467	220	160	161	51.2
891	358	533	235	300	197	77.2
936	403	533	235	300	197	78.2
1024	448	576	235	300	197	85.2
1069	493	576	235	300	197	86.2
1183	538	645	269	352	215	117.2
1273	628	645	269	352	215	119.2
1363	718	645	269	352	215	121.3
1498	808	690	269	352	215	133.8
1543	853	690	269	352	215	134.9



Performance Range

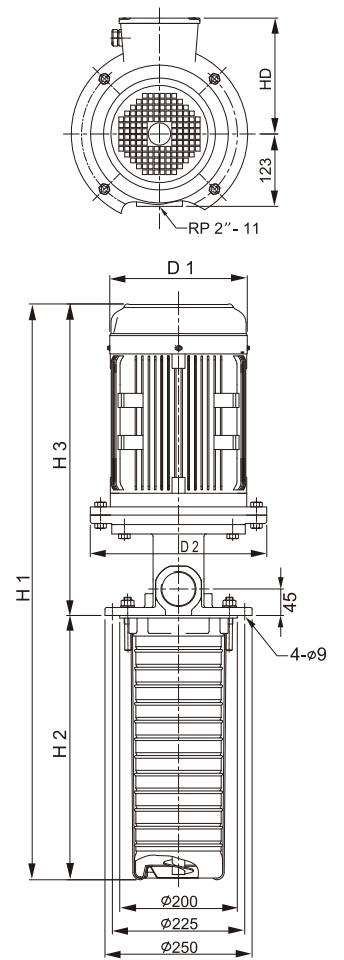


Specifications

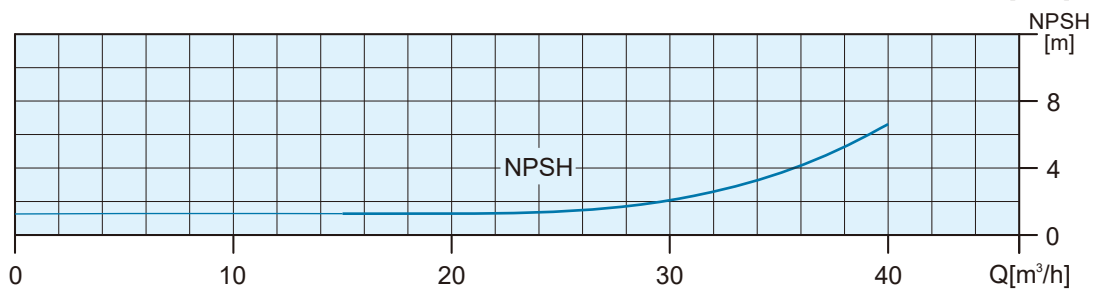
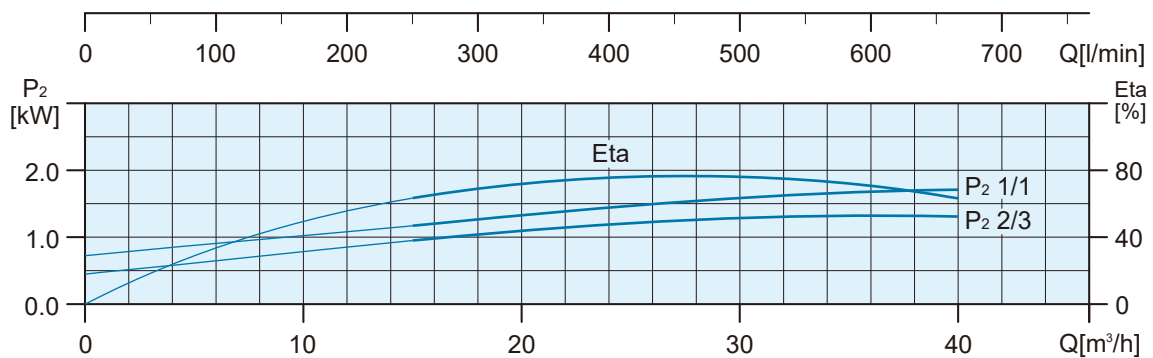
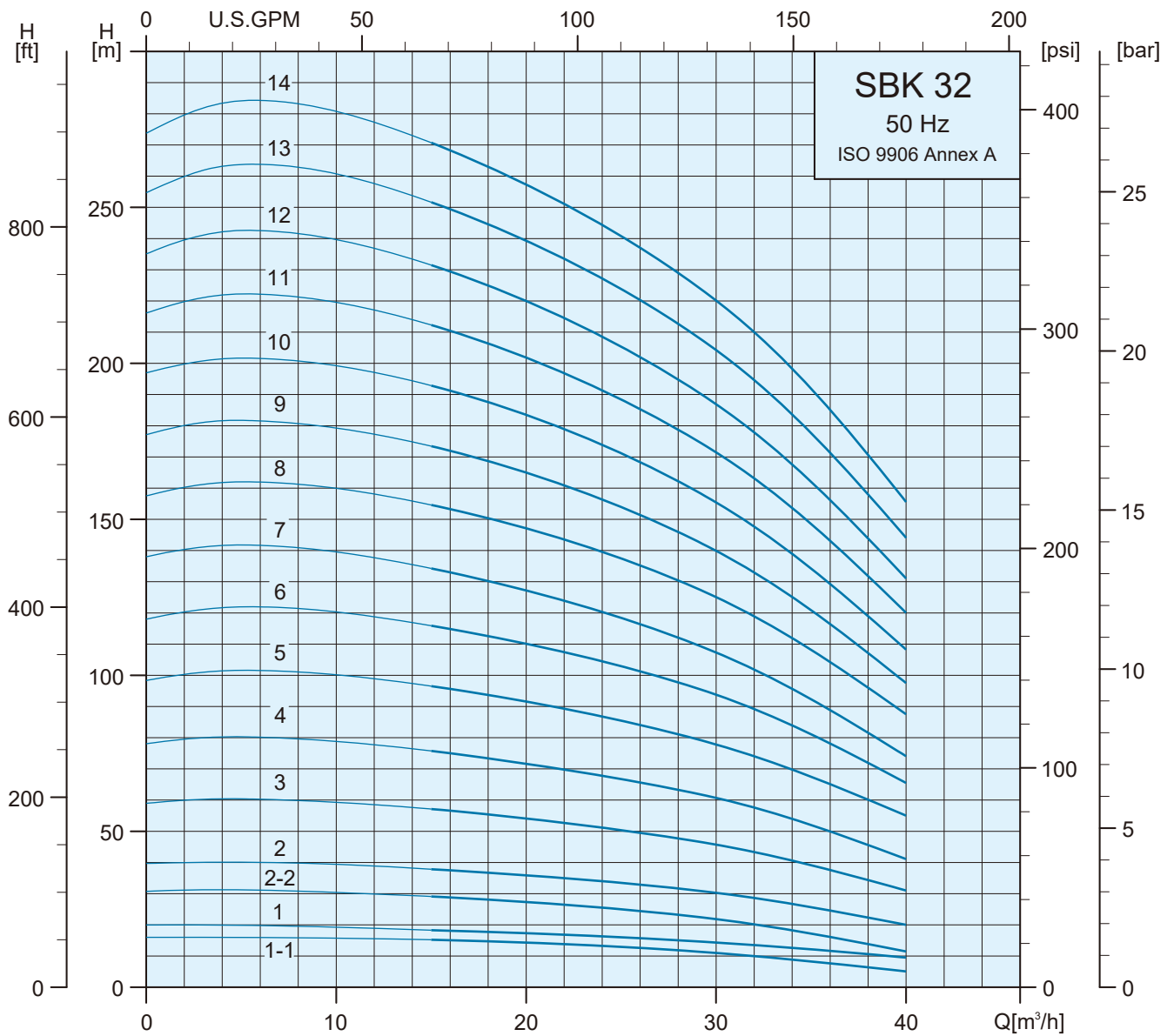
Pump Type	Motor	
	P ₂	
	kW	HP
SBK 20-2/1	1.1	1.5
SBK 20-2/2	2.2	3.0
SBK 20-3/3	4.0	5.5
SBK 20-4/4	5.5	7.5
SBK 20-5/5	5.5	7.5
SBK 20-6/6	7.5	10.0
SBK 20-7/7	7.5	10.0
SBK 20-8/8	11.0	15.0
SBK 20-10/10	11.0	15.0
SBK 20-12/12	15.0	20.0
SBK 20-14/14	15.0	20.0
SBK 20-16/16	18.5	25.0
SBK 20-17/17	18.5	25.0

Dimensions and Weights

Dimensions (mm)						Net Weight (kg)
H1	H2	H3	D1	D2	HD	
607	178	429	177	140	141	29.2
613	178	435	177	140	141	35.6
690	223	467	220	160	161	49.3
801	268	533	235	300	197	75.2
846	313	533	235	300	197	76.2
934	358	576	235	300	197	83.2
979	403	576	235	300	197	84.2
1093	448	645	269	352	215	115.3
1183	538	645	269	352	215	117.2
1318	628	690	269	352	215	129.8
1408	718	690	269	352	215	131.8
1548	808	740	318	352	241	166.7
1593	853	740	318	352	241	167.7



Performance Range

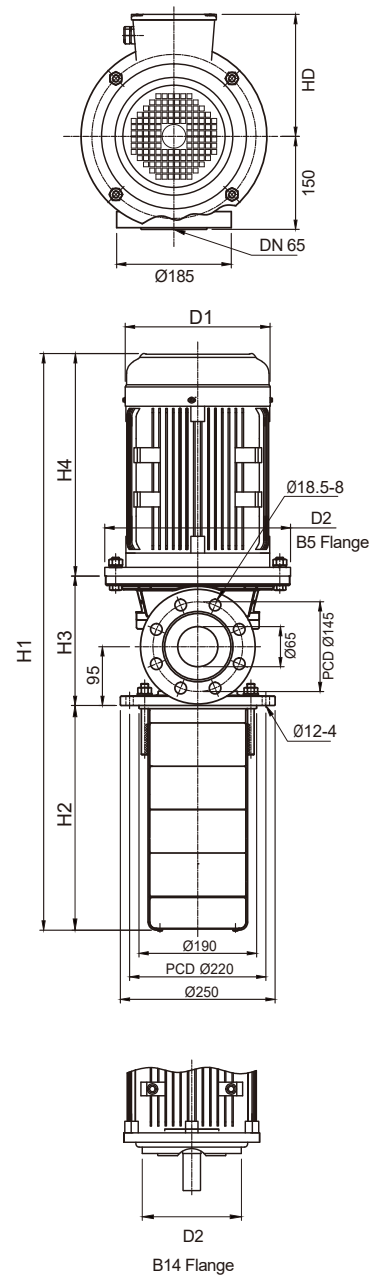


Specifications

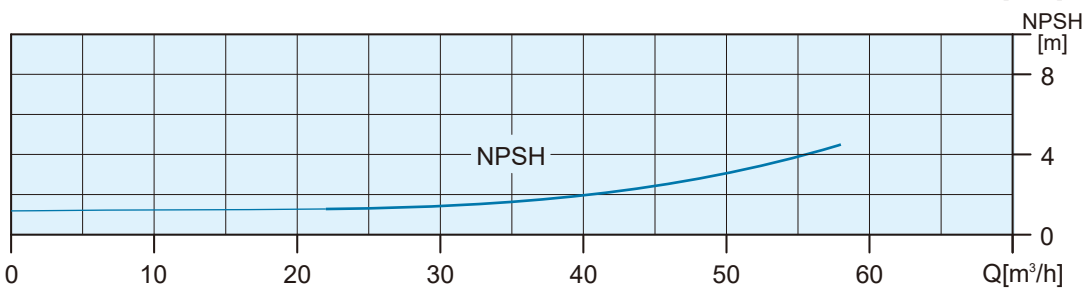
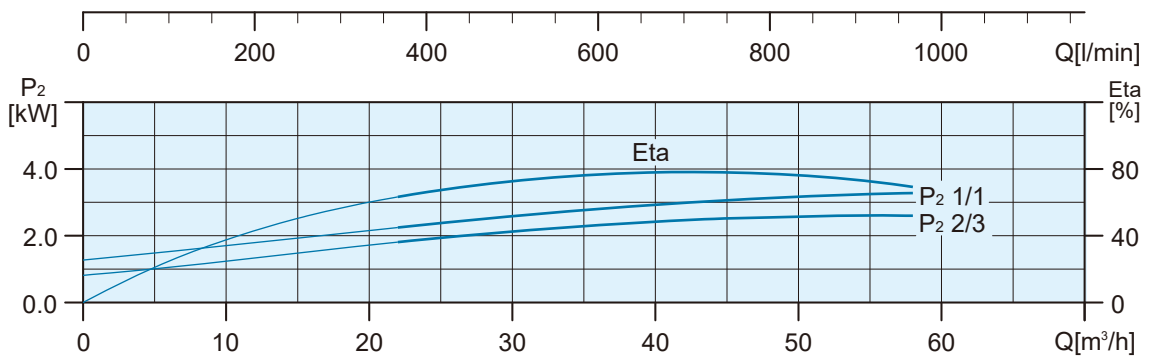
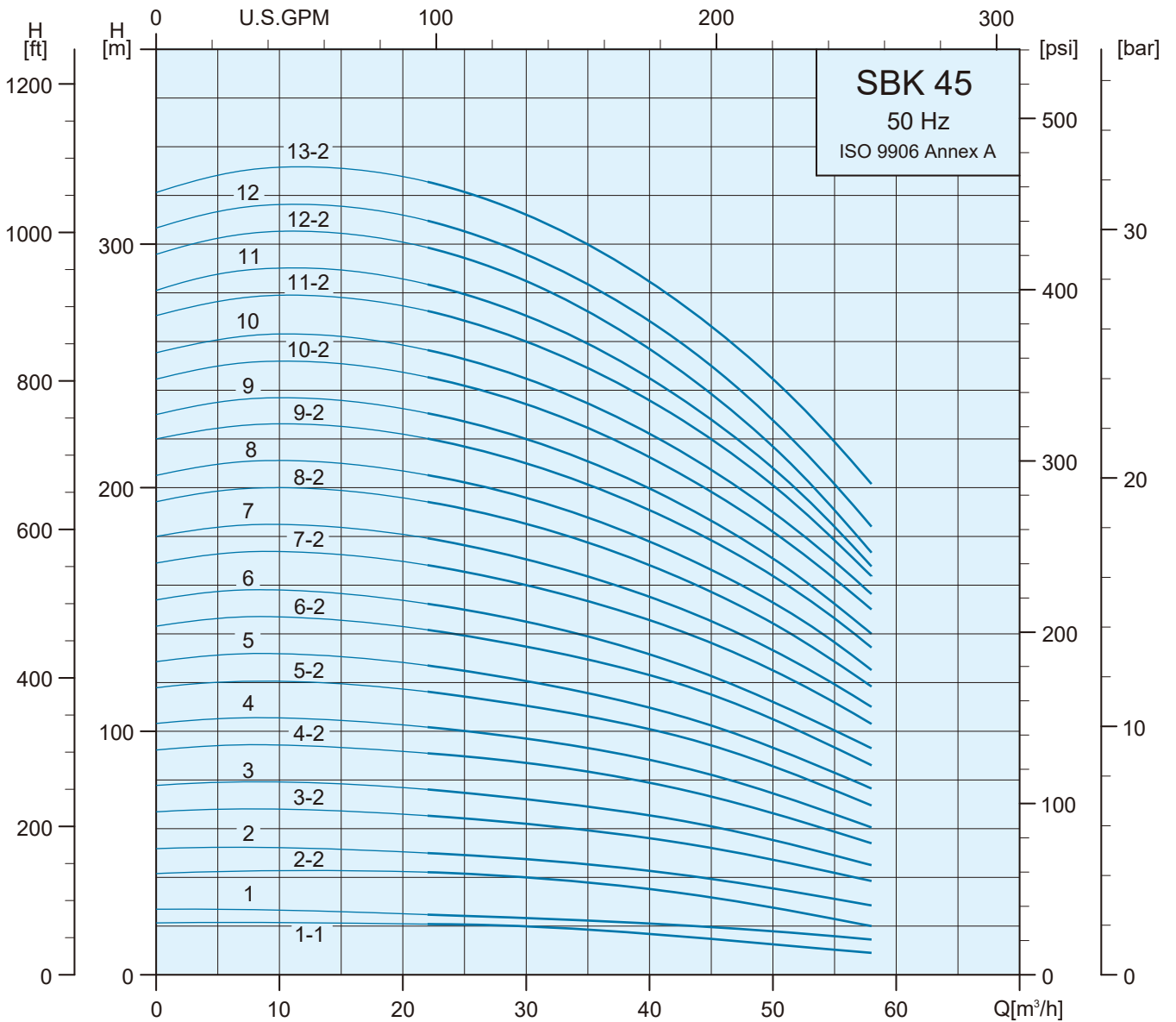
Pump Type	Motor	
	P ₂	
	kW	HP
SBK 32-2/1-1	1.5	2.0
SBK 32-2/1	2.2	3.0
SBK 32-2/2-2	3.0	4.0
SBK 32-2/2	4.0	5.5
SBK 32-3/3	5.5	7.5
SBK 32-4/4	7.5	10.0
SBK 32-5/5	11.0	15.0
SBK 32-6/6	11.0	15.0
SBK 32-7/7	15.0	20.0
SBK 32-8/8	15.0	20.0
SBK 32-9/9	18.5	25.0
SBK 32-10/10	18.5	25.0
SBK 32-11/11	22.0	30.0
SBK 32-12/12	22.0	30.0
SBK 32-13/13	30.0	40.0
SBK 32-14/14	30.0	40.0

Dimensions and Weights

Dimensions (mm)								Net Weight (kg)
H1	H2	H3	H4	D1	D2	HD		
656	223	138	295	177	200(B5)	141	43.2	
656	223	138	295	177	200(B5)	141	45.5	
677	223	138	316	197	160(B14)	147	50.8	
687	223	138	326	220	160(B14)	161	57.6	
864	293	209	362	235	300(B5)	197	85.4	
977	363	209	405	235	300(B5)	197	93.4	
1087	433	209	445	269	350(B5)	215	125.2	
1157	503	209	445	269	350(B5)	215	127.4	
1272	573	209	490	269	350(B5)	215	140.1	
1342	643	209	490	269	350(B5)	215	142.1	
1462	713	209	540	318	350(B5)	241	177.3	
1532	783	209	540	318	350(B5)	241	179.4	
1602	853	209	540	318	350(B5)	241	194.9	
1672	923	209	540	318	350(B5)	241	197.0	
1862	993	209	660	390	400(B5)	295	219.5	
1932	1063	209	660	390	400(B5)	295	293.6	



Performance Range

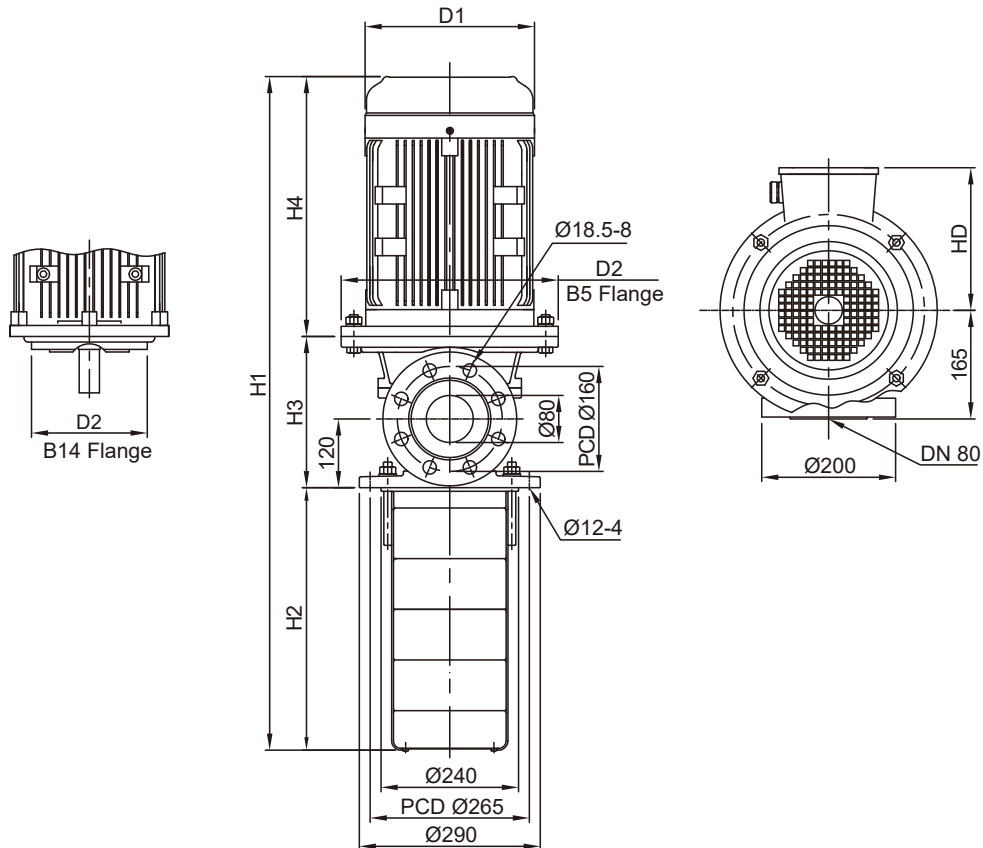


Specifications

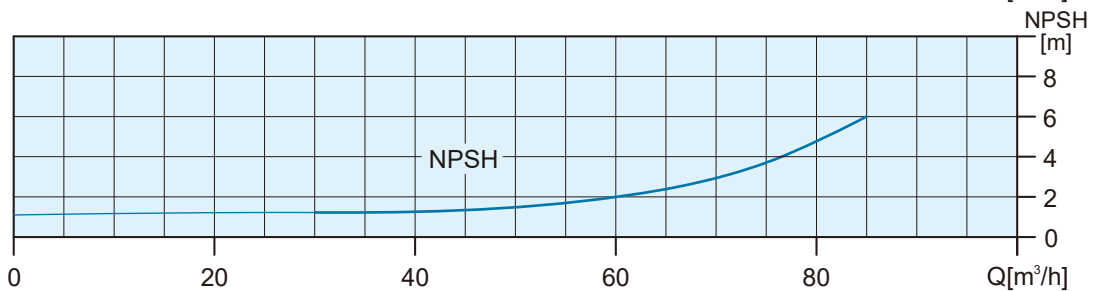
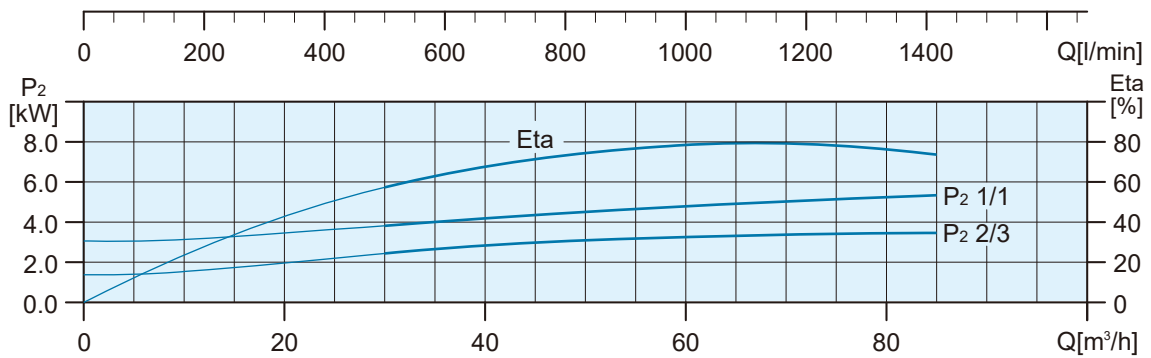
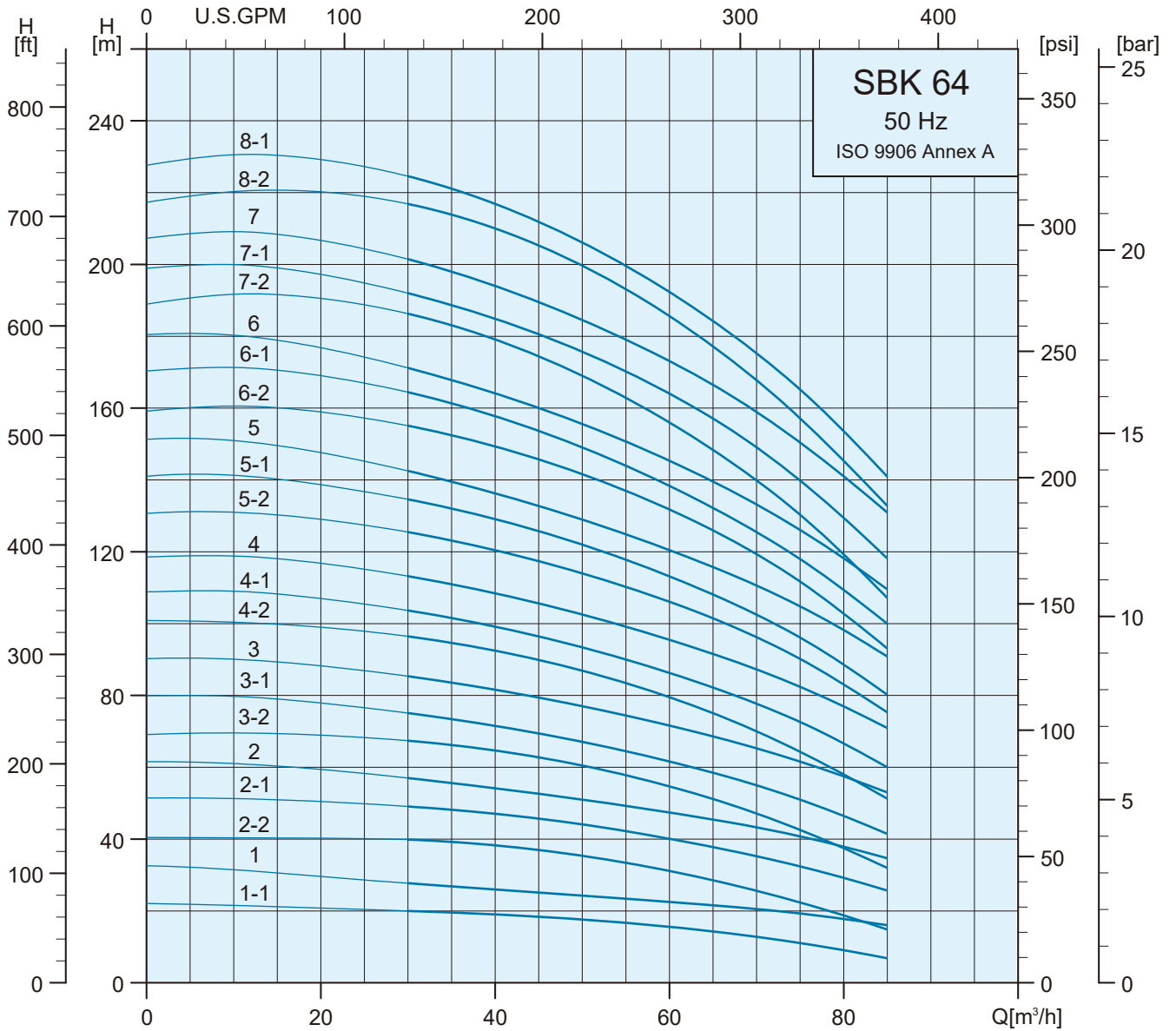
Pump Type	Motor	
	P ₂	
	kW	HP
SBK 45-2/1-1	3.0	4.0
SBK 45-2/1	4.0	5.5
SBK 45-2/2-2	5.5	7.5
SBK 45-2/2	7.5	10.0
SBK 45-3/3-2	11.0	15.0
SBK 45-3/3	11.0	15.0
SBK 45-4/4-2	15.0	20.0
SBK 45-4/4	15.0	20.0
SBK 45-5/5-2	18.5	25.0
SBK 45-5/5	18.5	25.0
SBK 45-6/6-2	22.0	30.0
SBK 45-6/6	22.0	30.0
SBK 45-7/7-2	30.0	40.0
SBK 45-7/7	30.0	40.0
SBK 45-8/8-2	30.0	40.0
SBK 45-8/8	30.0	40.0
SBK 45-9/9-2	30.0	40.0
SBK 45-9/9	37.0	50.0
SBK 45-10/10-2	37.0	50.0
SBK 45-10/10	37.0	50.0
SBK 45-11/11-2	45.0	60.0
SBK 45-11/11	45.0	60.0
SBK 45-12/12-2	45.0	60.0
SBK 45-12/12	45.0	60.0
SBK 45-13/13-2	45.0	60.0

Dimensions and Weights

Pump Type	Dimensions (mm)							Net Weight (kg)
	H1	H2	H3	H4	D1	D2	HD	
SBK 45-2/1-1	729	244	169	316	197	160(B14)	147	55.3
SBK 45-2/1	739	244	169	326	220	160(B14)	161	62.2
SBK 45-2/2-2	846	244	240	362	235	300(B5)	197	89.6
SBK 45-2/2	889	244	240	405	235	300(B5)	197	95.5
SBK 45-3/3-2	1009	324	240	445	269	350(B5)	215	127.8
SBK 45-3/3	1009	324	240	445	269	350(B5)	215	127.8
SBK 45-4/4-2	1134	404	240	490	269	350(B5)	215	141.0
SBK 45-4/4	1134	404	240	490	269	350(B5)	215	141.0
SBK 45-5/5-2	1264	484	240	540	318	350(B5)	241	176.7
SBK 45-5/5	1264	484	240	540	318	350(B5)	241	176.7
SBK 45-6/6-2	1344	564	240	540	318	350(B5)	241	192.7
SBK 45-6/6	1344	564	240	540	318	350(B5)	241	192.7
SBK 45-7/7-2	1544	644	240	660	390	400(B5)	295	290.9
SBK 45-7/7	1544	644	240	660	390	400(B5)	295	290.9
SBK 45-8/8-2	1624	724	240	660	390	400(B5)	295	293.5
SBK 45-8/8	1624	724	240	660	390	400(B5)	295	293.5
SBK 45-9/9-2	1704	804	240	660	390	400(B5)	295	296.3
SBK 45-9/9	1704	804	240	660	390	400(B5)	295	314.3
SBK 45-10/10-2	1784	884	240	660	390	400(B5)	295	316.9
SBK 45-10/10	1784	884	240	660	390	400(B5)	295	316.9
SBK 45-11/11-2	1913	964	259	690	446	450(B5)	325	404.6
SBK 45-11/11	1913	964	259	690	446	450(B5)	325	404.6
SBK 45-12/12-2	1993	1044	259	690	446	450(B5)	325	407.3
SBK 45-12/12	1993	1044	259	690	446	450(B5)	325	407.3
SBK 45-13/13-2	2073	1124	259	690	446	450(B5)	325	410.0



Performance Range

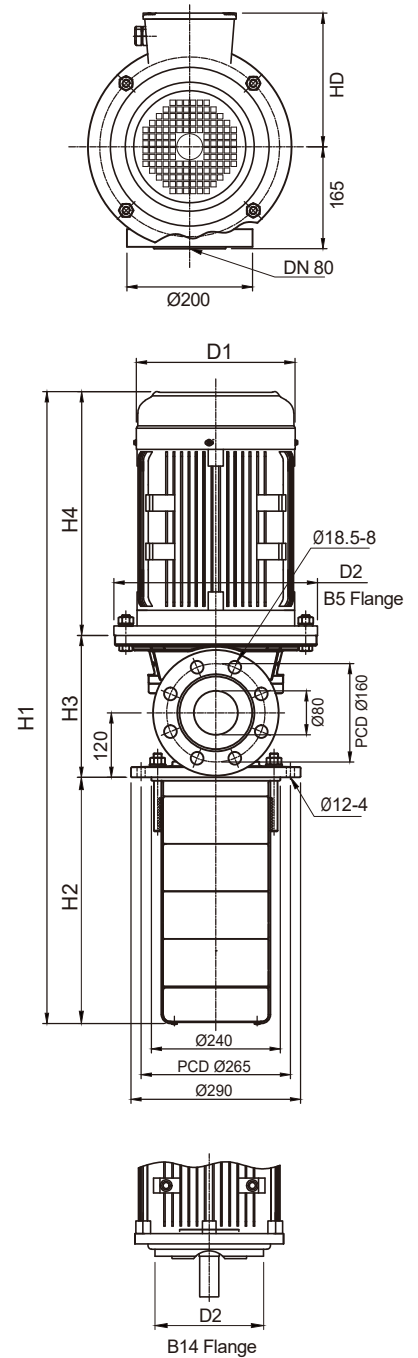


Specifications

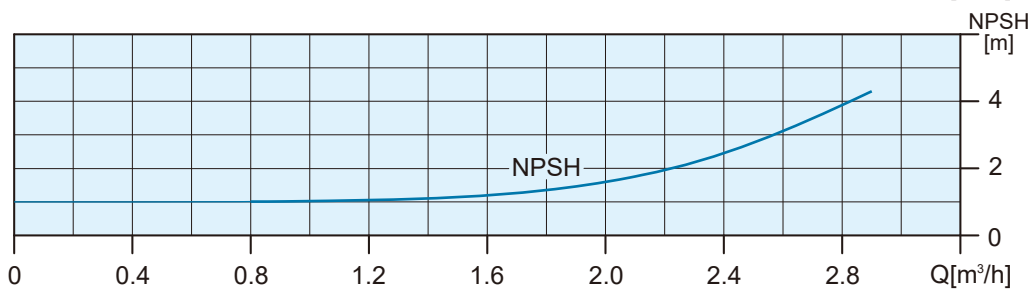
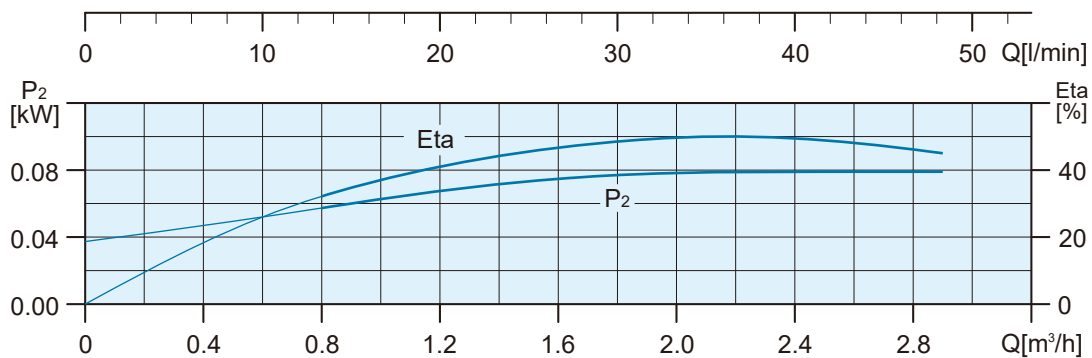
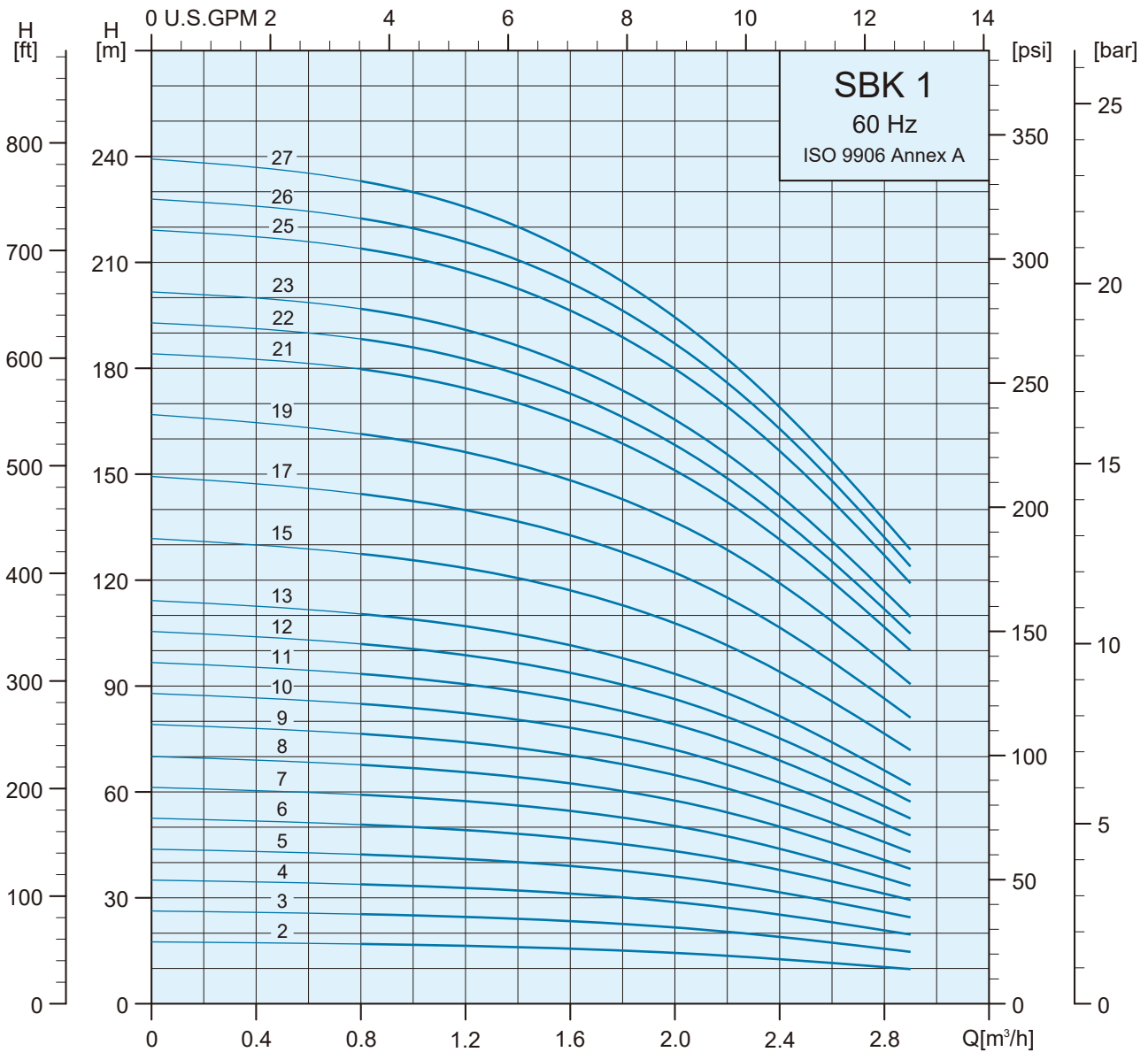
Pump Type	Motor	
	P ₂	
	kW	HP
SBK 64-2/1-1	4.0	5.5
SBK 64-2/1	5.5	7.5
SBK 64-2/2-2	7.5	10.0
SBK 64-2/2-1	11.0	15.0
SBK 64-2/2	11.0	15.0
SBK 64-3/3-2	15.0	20.0
SBK 64-3/3-1	15.0	20.0
SBK 64-3/3	18.5	25.0
SBK 64-4/4-2	18.5	25.0
SBK 64-4/4-1	22.0	30.0
SBK 64-4/4	22.0	30.0
SBK 64-5/5-2	30.0	40.0
SBK 64-5/5-1	30.0	40.0
SBK 64-5/5	30.0	40.0
SBK 64-6/6-2	30.0	40.0
SBK 64-6/6-1	37.0	50.0
SBK 64-6/6	37.0	50.0
SBK 64-7/7-2	37.0	50.0
SBK 64-7/7-1	37.0	50.0
SBK 64-7/7	45.0	60.0
SBK 64-8/8-2	45.0	60.0
SBK 64-8/8-1	45.0	60.0

Dimensions and Weights

Dimensions (mm)								Net Weight (kg)
H1	H2	H3	H4	D1	D2	HD		
744	249	169	326	220	160(B14)	161	63.4	
851	249	240	362	235	300(B5)	197	89.6	
894	249	240	405	235	300(B5)	197	96.3	
934	249	240	445	269	350(B5)	215	125.9	
934	249	240	445	269	350(B5)	215	125.9	
1062	332	240	490	269	350(B5)	215	139.4	
1062	332	240	490	269	350(B5)	215	139.4	
1112	332	240	540	318	350(B5)	241	172.3	
1194	414	240	540	318	350(B5)	241	175.2	
1194	414	240	540	318	350(B5)	241	188.6	
1194	414	240	540	318	350(B5)	241	188.6	
1397	497	240	660	390	400(B5)	295	287.2	
1397	497	240	660	390	400(B5)	295	287.2	
1397	497	240	660	390	400(B5)	295	287.2	
1479	579	240	660	390	400(B5)	295	290.2	
1479	579	240	660	390	400(B5)	295	308.2	
1479	579	240	660	390	400(B5)	295	308.2	
1562	662	240	660	390	400(B5)	295	311.0	
1562	662	240	660	390	400(B5)	295	311.0	
1611	662	259	690	446	450(B5)	325	396.2	
1693	744	259	690	446	450(B5)	325	399.0	
1693	744	259	690	446	450(B5)	325	399.0	



Performance Range

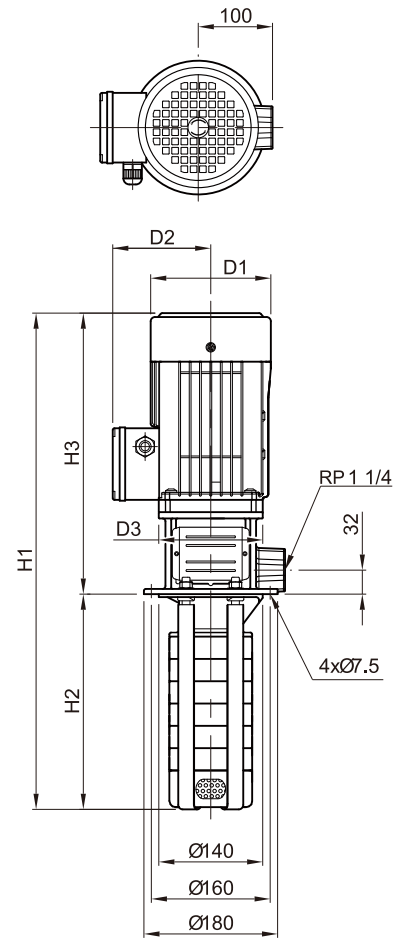


Specifications

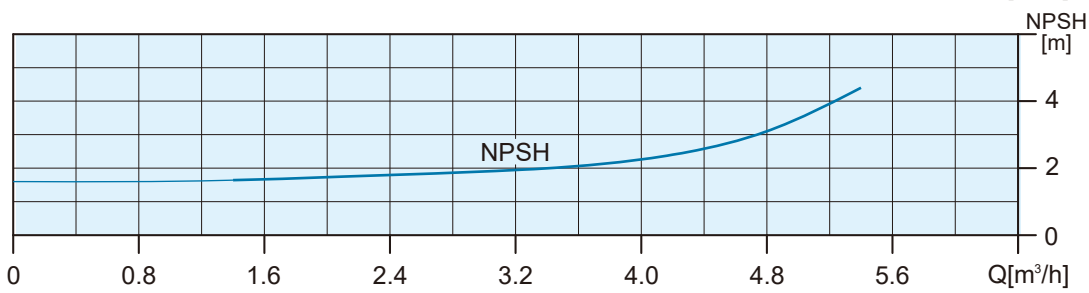
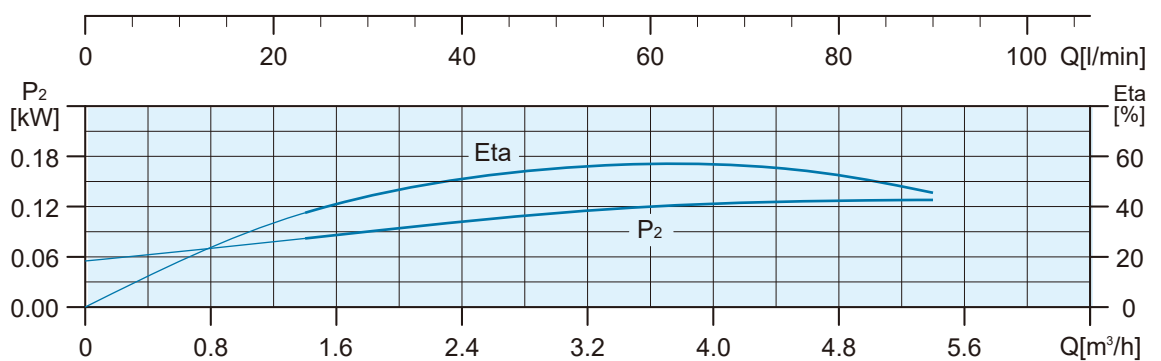
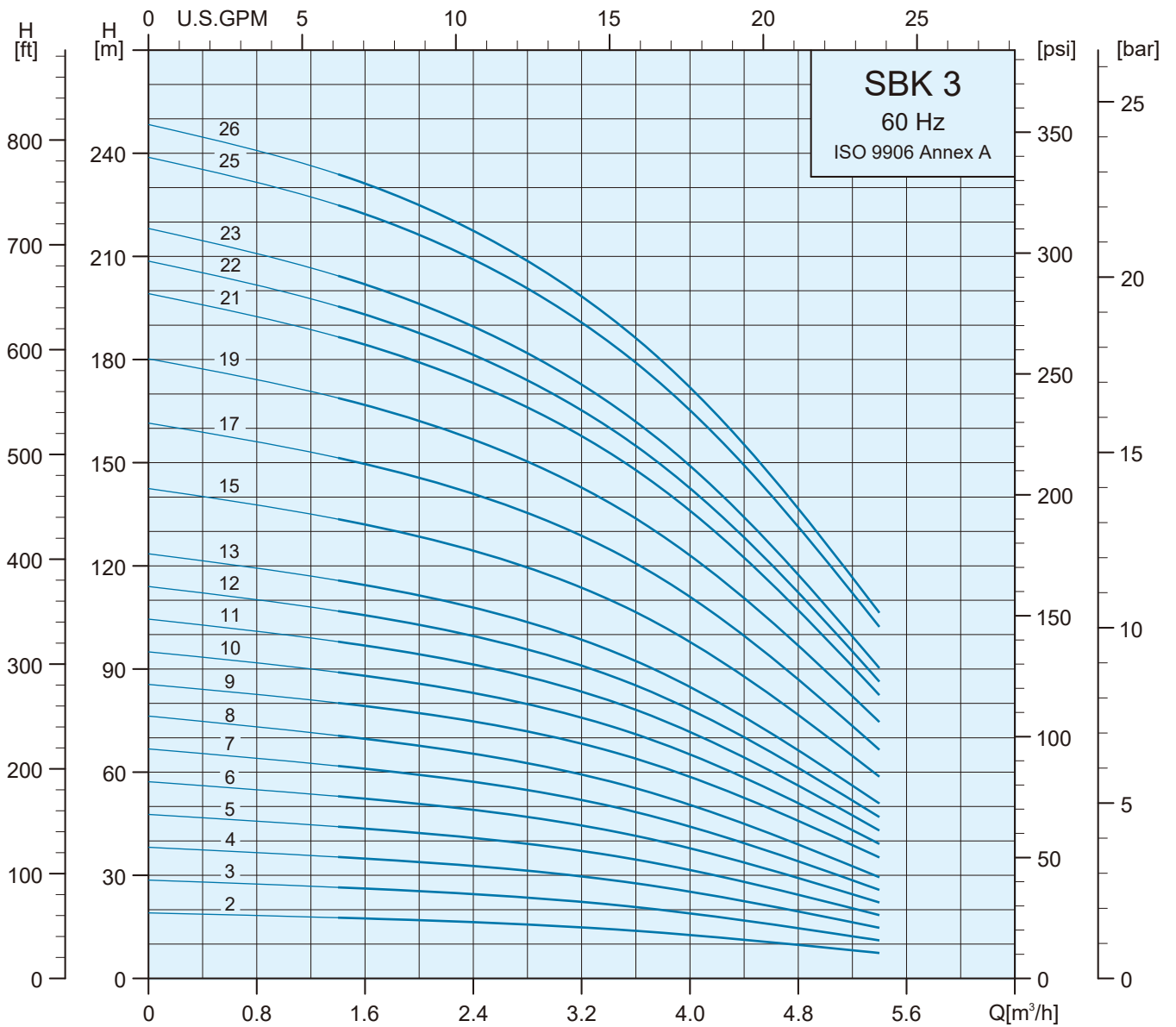
Pump Type	Motor	
	P ₂	
	kW	HP
SBK 1-2/2	0.37	0.5
SBK 1-3/3	0.37	0.5
SBK 1-4/4	0.37	0.5
SBK 1-5/5	0.55	0.75
SBK 1-6/6	0.55	0.75
SBK 1-7/7	0.75	1.0
SBK 1-8/8	0.75	1.0
SBK 1-9/9	0.75	1.0
SBK 1-10/10	1.1	1.5
SBK 1-11/11	1.1	1.5
SBK 1-12/12	1.1	1.5
SBK 1-13/13	1.1	1.5
SBK 1-15/15	1.5	2.0
SBK 1-17/17	1.5	2.0
SBK 1-19/19	2.2	3.0
SBK 1-21/21	2.2	3.0
SBK 1-22/22	2.2	3.0
SBK 1-23/23	2.2	3.0
SBK 1-25/25	2.2	3.0
SBK 1-26/26	3.0	4.0
SBK 1-27/27	3.0	4.0

Dimensions and Weights

Dimensions (mm)						Net Weight (kg)
H1	H2	H3	D1	D2	D3	
465.4	160	305.4	141	115	140	12.1
483.4	178	305.4	141	115	140	12.3
501.4	196	305.4	141	115	140	12.5
519.4	214	305.4	141	115	140	13.2
537.4	232	305.4	141	115	140	13.5
595.4	250	345.4	141	115	140	15.3
613.4	268	345.4	141	115	140	15.5
631.4	286	345.4	141	115	140	15.7
703.4	304	399.4	177	141	140	22.7
721.4	322	399.4	177	141	140	22.9
739.4	340	399.4	177	141	140	23.2
757.4	358	399.4	177	141	140	23.4
799.4	394	405.4	177	141	140	27.8
835.4	430	405.4	177	141	140	28.2
871.4	466	405.4	177	141	140	30.9
907.4	502	405.4	177	141	140	31.3
925.4	520	405.4	177	141	140	31.6
943.4	538	405.4	177	141	140	31.8
979.4	574	405.4	177	141	140	32.0
1023.9	592	431.9	197	147	160	34.5
1041.9	610	431.9	197	147	160	34.7



Performance Range

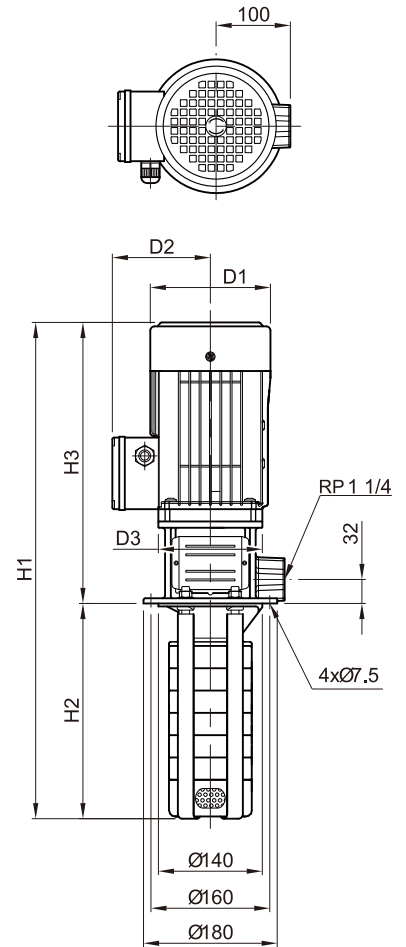


Specifications

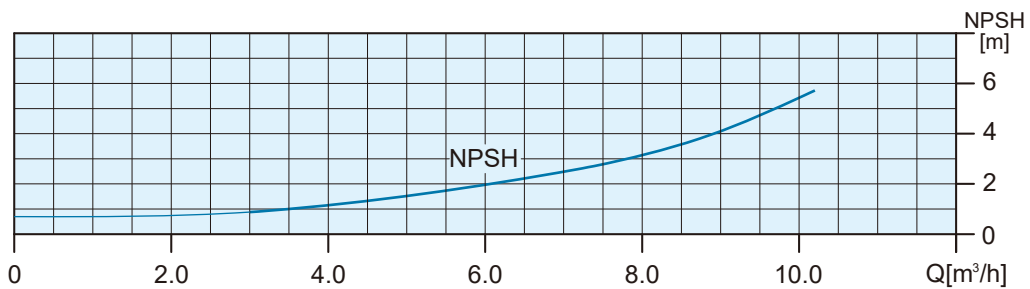
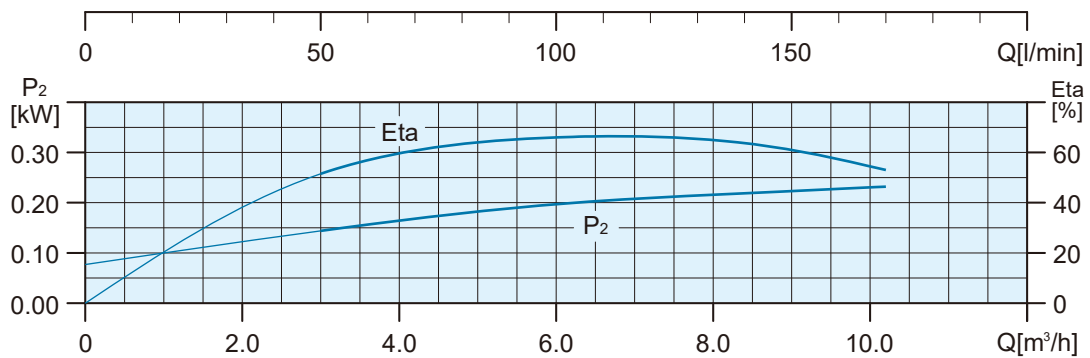
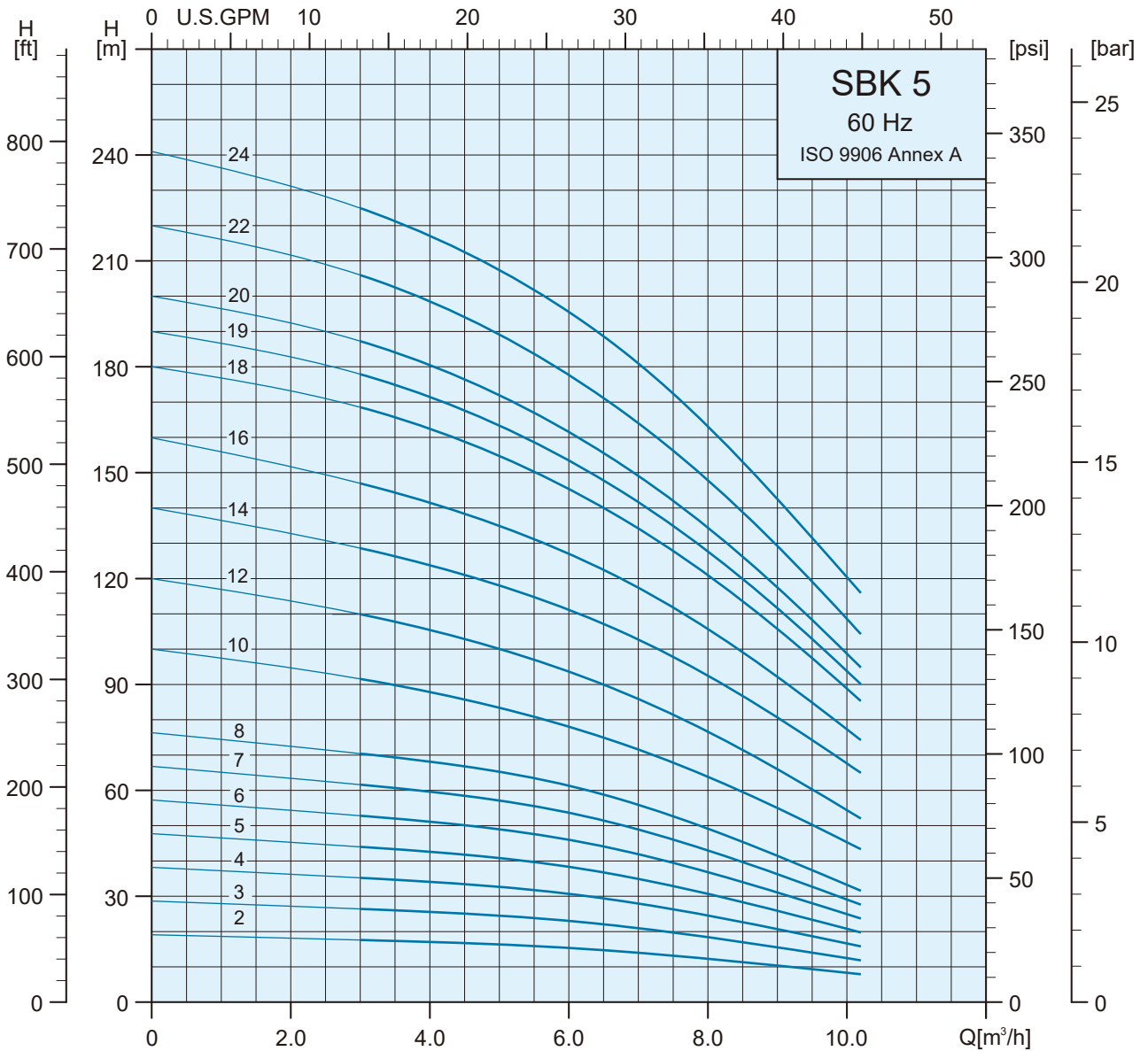
Pump Type	Motor	
	P ₂	
	kW	HP
SBK 3-2/2	0.37	0.5
SBK 3-3/3	0.55	0.75
SBK 3-4/4	0.55	0.75
SBK 3-5/5	0.75	1.0
SBK 3-6/6	1.1	1.5
SBK 3-7/7	1.1	1.5
SBK 3-8/8	1.1	1.5
SBK 3-9/9	1.5	2.0
SBK 3-10/10	1.5	2.0
SBK 3-11/11	1.5	2.0
SBK 3-12/12	2.2	3.0
SBK 3-13/13	2.2	3.0
SBK 3-15/15	2.2	3.0
SBK 3-17/17	2.2	3.0
SBK 3-19/19	3.0	4.0
SBK 3-21/21	3.0	4.0
SBK 3-22/22	3.0	4.0
SBK 3-23/23	3.0	4.0
SBK 3-25/25	4.0	5.5
SBK 3-26/26	4.0	5.5

Dimensions and Weights

Dimensions (mm)						Net Weight (kg)
H1	H2	H3	D1	D2	D3	
465.4	160	305.4	141	115	140	12.1
483.4	178	305.4	141	115	140	12.8
501.4	196	305.4	141	115	140	13.0
559.4	214	345.4	141	115	140	14.8
631.4	232	399.4	177	141	140	21.7
649.4	250	399.4	177	141	140	22.0
667.4	268	399.4	177	141	140	22.2
691.4	286	405.4	177	141	140	26.4
709.4	304	405.4	177	141	140	26.7
727.4	322	405.4	177	141	140	26.9
745.4	340	405.4	177	141	140	29.3
763.4	358	405.4	177	141	140	29.6
799.4	394	405.4	177	141	140	30.0
835.4	430	405.4	177	141	140	30.1
897.9	466	431.9	197	147	160	33.5
933.9	502	431.9	197	147	160	33.9
951.9	520	431.9	197	147	160	34.2
969.9	538	431.9	197	147	160	34.4
1015.9	574	441.9	220	161	160	44.7
1033.9	592	441.9	220	161	160	45.0



Performance Range

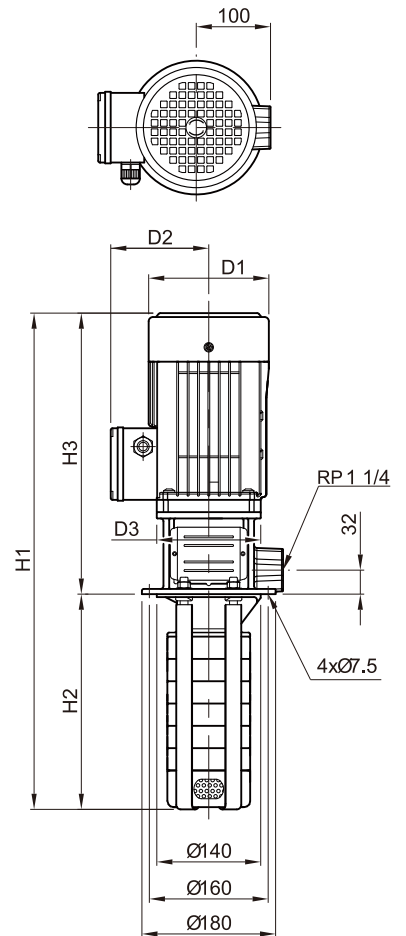


Specifications

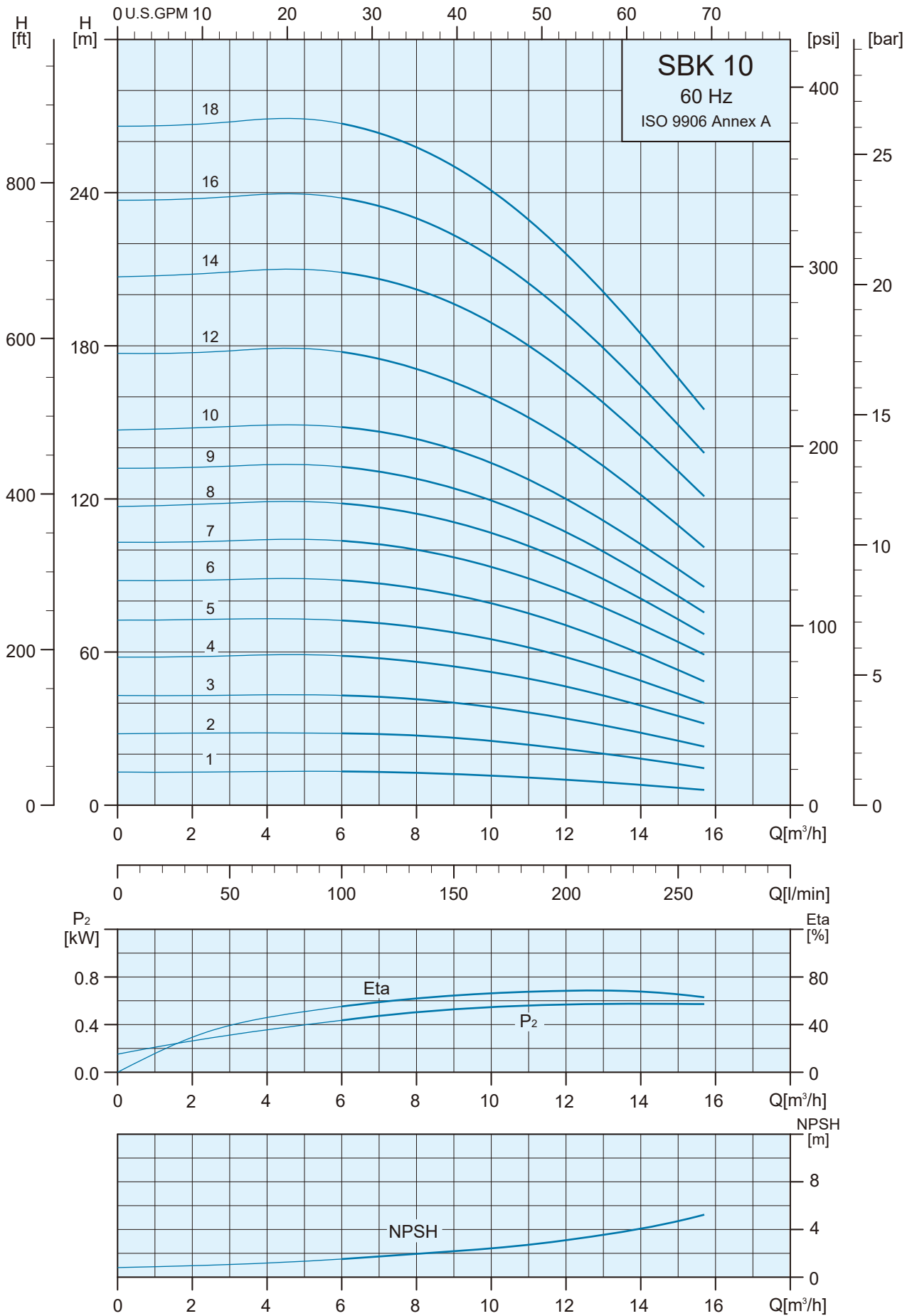
Pump Type	Motor	
	P ₂	
	kW	HP
SBK 5-2/2	0.55	0.75
SBK 5-3/3	1.1	1.5
SBK 5-4/4	1.1	1.5
SBK 5-5/5	1.5	2.0
SBK 5-6/6	2.2	3.0
SBK 5-7/7	2.2	3.0
SBK 5-8/8	2.2	3.0
SBK 5-10/10	3.0	4.0
SBK 5-12/12	3.0	4.0
SBK 5-14/14	4.0	5.5
SBK 5-16/16	4.0	5.5
SBK 5-18/18	5.5	7.5
SBK 5-19/19	5.5	7.5
SBK 5-20/20	5.5	7.5
SBK 5-22/22	5.5	7.5
SBK 5-24/24	7.5	10.0

Dimensions and Weights

Dimensions (mm)						Net Weight (kg)
H1	H2	H3	D1	D2	D3	
492.4	187	305.4	141	115	140	12.7
613.4	214	399.4	177	141	140	21.3
640.4	241	399.4	177	141	140	21.7
673.4	268	405.4	177	141	140	26.1
700.4	295	405.4	177	141	140	28.6
727.4	322	405.4	177	141	140	29
754.4	349	405.4	177	141	140	29.4
834.9	403	431.9	197	147	160	33.2
888.9	457	431.9	197	147	160	33.6
952.9	511	441.9	220	161	160	43.8
1006.9	565	441.9	220	161	160	44.2
1125.9	619	506.9	235	197	300	65.1
1152.9	646	506.9	235	197	300	65.5
1179.9	673	506.9	235	197	300	65.9
1233.9	727	506.9	235	197	300	66.6
1330.9	781	549.9	235	197	300	75.7



Performance Range

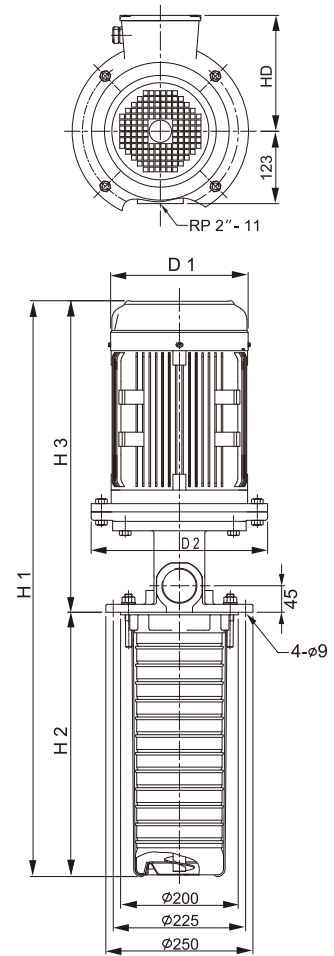


Specifications

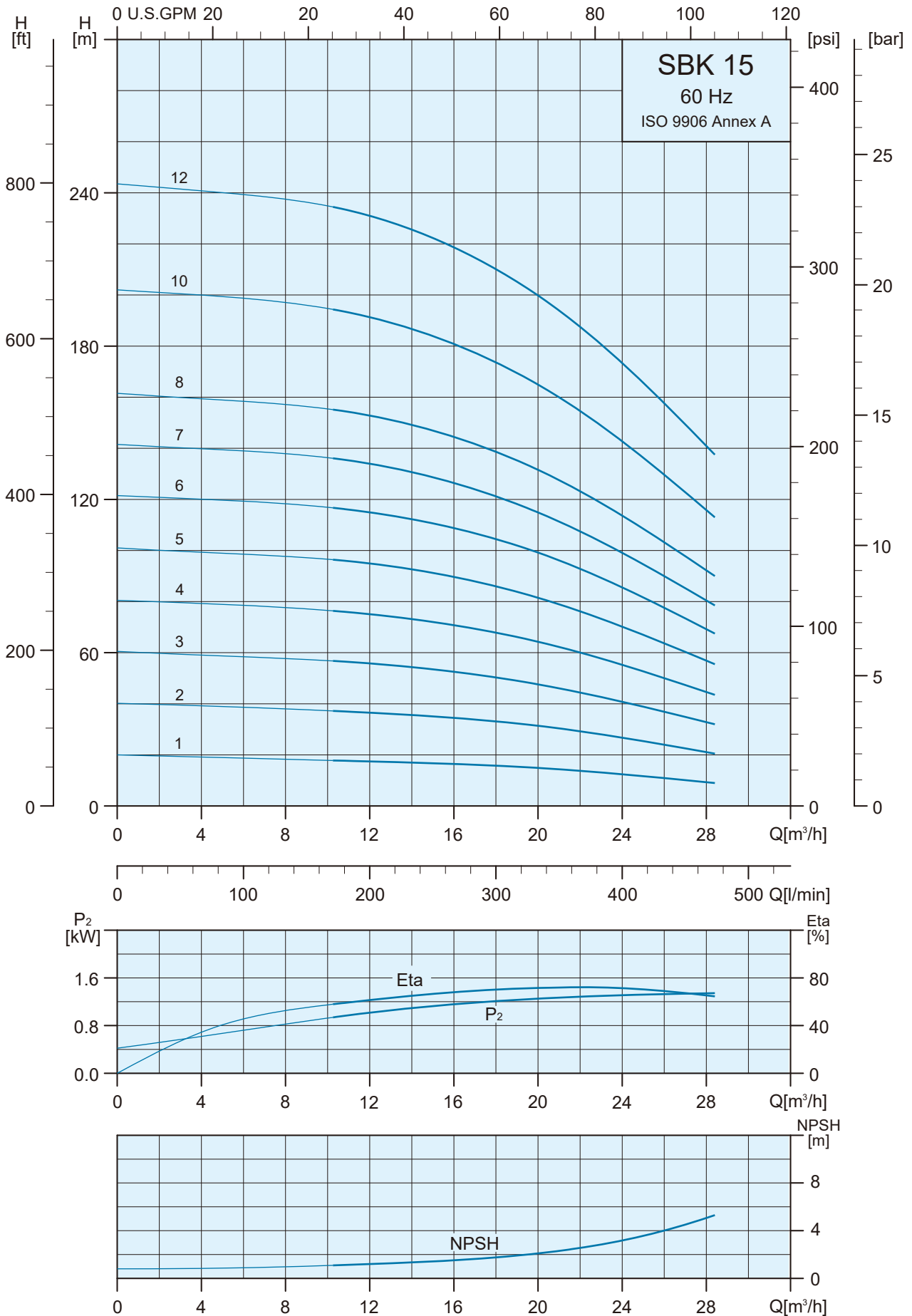
Pump Type	Motor	
	P ₂	
	kW	HP
SBK 10-2/1	0.75	1.0
SBK 10-2/2	1.5	2.0
SBK 10-3/3	2.2	3.0
SBK 10-4/4	3.0	4.0
SBK 10-5/5	3.0	4.0
SBK 10-6/6	4.0	5.5
SBK 10-7/7	5.5	7.5
SBK 10-8/8	5.5	7.5
SBK 10-9/9	5.5	7.5
SBK 10-10/10	7.5	10.0
SBK 10-12/12	7.5	10.0
SBK 10-14/14	11.0	15.0
SBK 10-16/16	11.0	15.0
SBK 10-18/18	11.0	15.0
SBK 10-20/18	11.0	15.0
SBK 10-22/18	11.0	15.0

Dimensions and Weights

Dimensions (mm)						Net Weight (kg)
H1	H2	H3	D1	D2	HD	
523	148	375	141	140	115	21.7
583	148	435	177	140	141	32.3
613	178	435	177	140	141	35.1
665	208	457	197	160	147	42.0
695	238	457	197	160	147	42.8
735	268	467	220	160	161	50.3
831	298	533	235	300	197	67.9
861	328	533	235	300	197	76.8
891	358	533	235	300	197	77.6
964	388	576	235	300	197	84.4
1024	448	576	235	300	197	85.8
1153	508	645	269	352	215	117.4
1213	568	645	269	352	215	118.9
1273	628	645	269	352	215	120.4
1333	688	645	269	352	215	121.2
1393	748	645	269	352	215	122.0



Performance Range

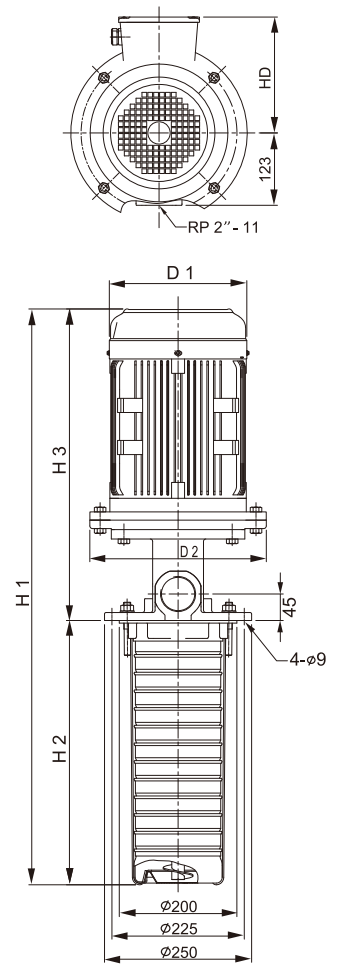


Specifications

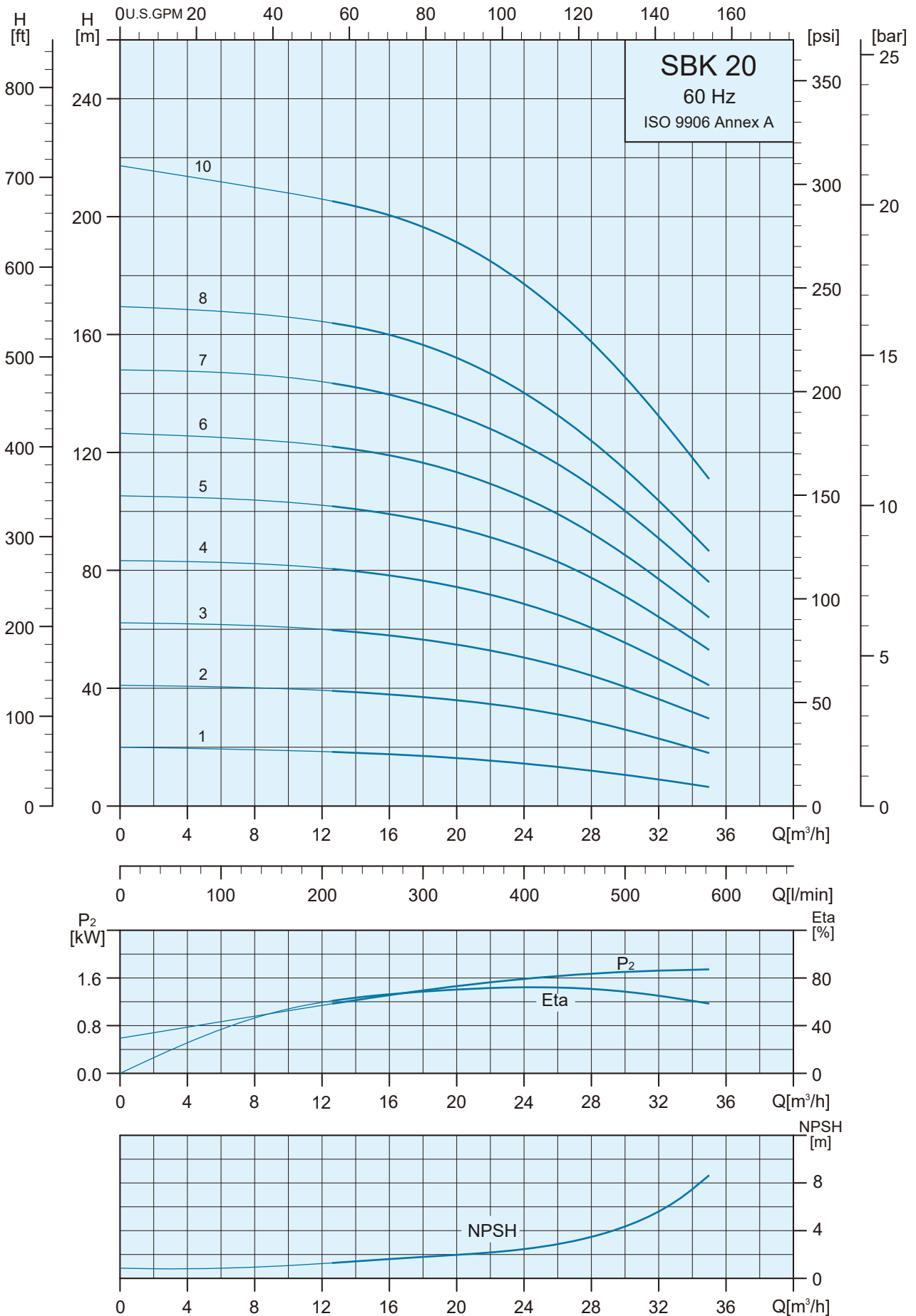
Pump Type	Motor	
	P ₂	
	kW	HP
SBK 15-2/1	1.5	2.0
SBK 15-2/2	3.0	4.0
SBK 15-3/3	4.0	5.5
SBK 15-4/4	5.5	7.5
SBK 15-5/5	7.5	10.0
SBK 15-6/6	11.0	15.0
SBK 15-7/7	11.0	15.0
SBK 15-8/8	11.0	15.0
SBK 15-10/10	15.0	20.0
SBK 15-12/12	18.5	25.0
SBK 15-14/12	18.5	25.0
SBK 15-16/12	18.5	25.0
SBK 15-17/12	18.5	25.0

Dimensions and Weights

Dimensions (mm)						Net Weight (kg)
H1	H2	H3	D1	D2	HD	
613	178	435	177	140	141	33.1
635	178	457	197	160	147	37.9
690	223	467	220	160	161	49.2
801	268	533	235	300	197	75.2
889	313	576	235	300	197	82.2
1003	358	645	269	352	215	113.3
1048	403	645	269	352	215	114.3
1093	448	645	269	352	215	115.3
1228	538	690	269	352	215	127.8
1368	628	740	318	352	241	162.7
1458	718	740	318	352	241	163.8
1548	808	740	318	352	241	165.0
1593	853	740	318	352	241	165.6



Performance Range

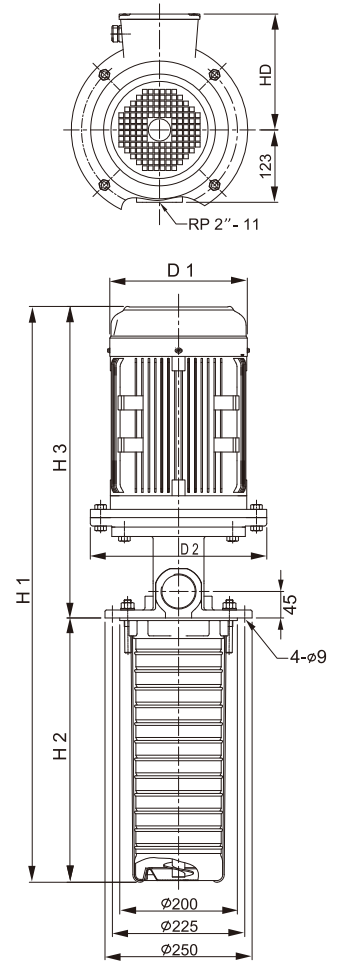


Specifications

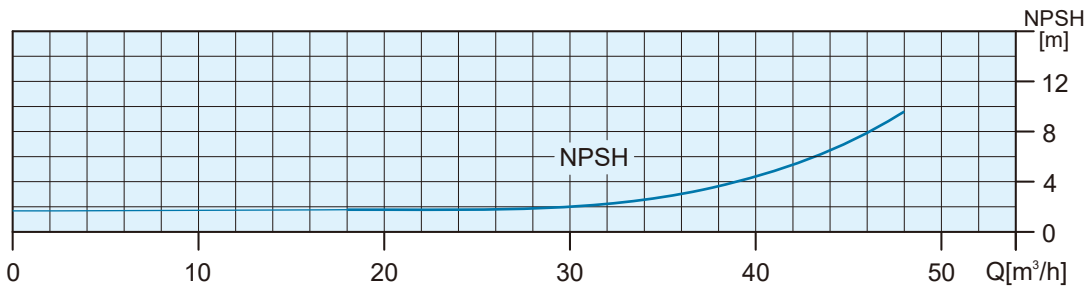
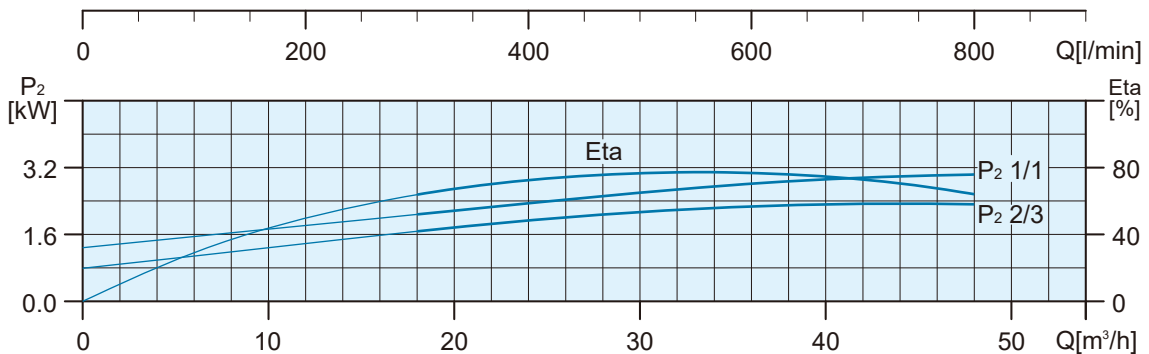
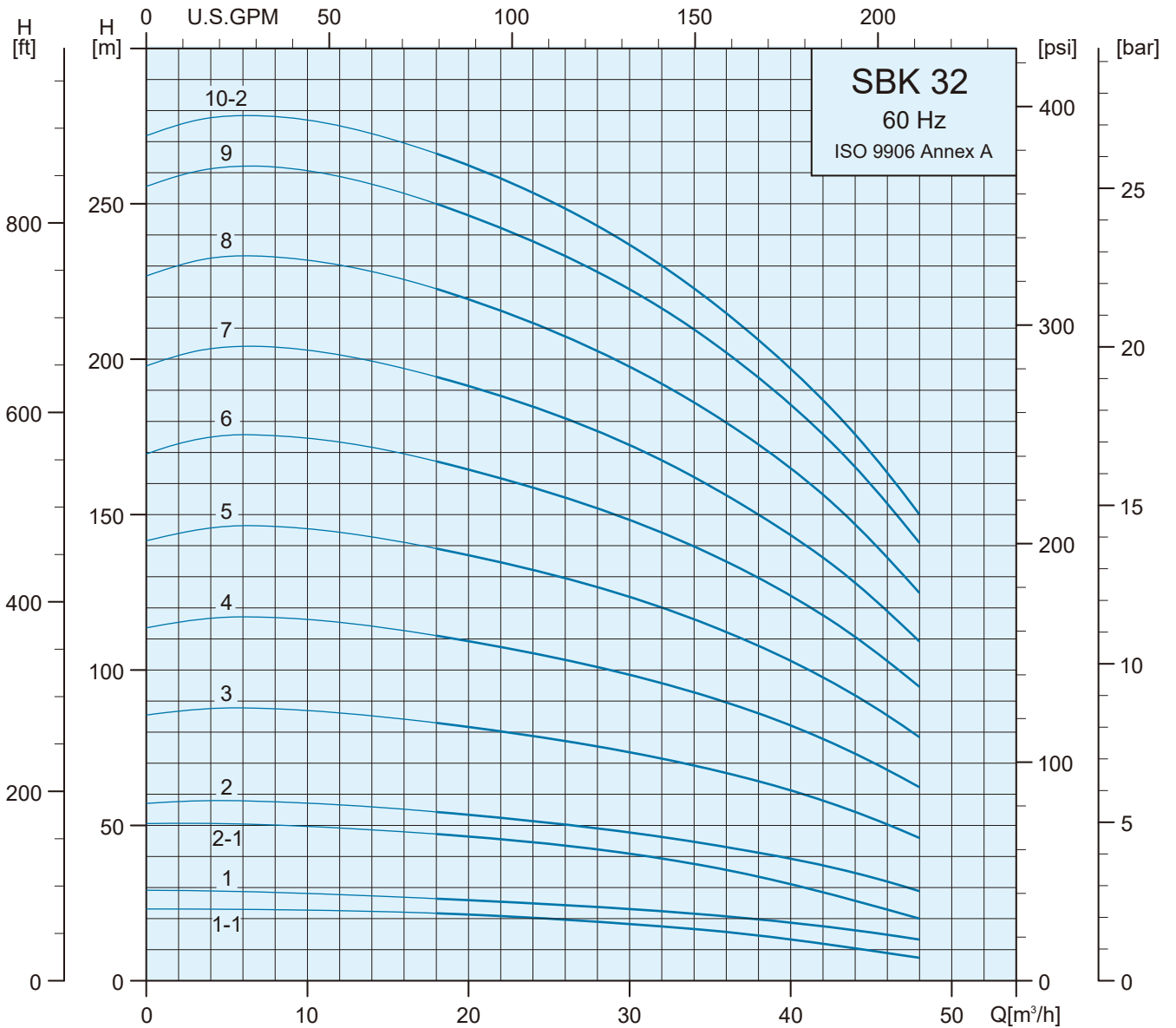
Pump Type	Motor	
	P ₂	
	kW	HP
SBK 20-2/1	2.2	3.0
SBK 20-2/2	4.0	5.5
SBK 20-3/3	5.5	7.5
SBK 20-4/4	7.5	10.0
SBK 20-5/5	11.0	15.0
SBK 20-6/6	11.0	15.0
SBK 20-7/7	15.0	20.0
SBK 20-8/8	15.0	20.0
SBK 20-10/10	18.5	25.0
SBK 20-12/10	18.5	25.0
SBK 20-14/10	18.5	25.0
SBK 20-16/10	18.5	25.0
SBK 20-17/10	18.5	25.0

Dimensions and Weights

Dimensions (mm)						Net Weight (kg)
H1	H2	H3	D1	D2	HD	
613	178	435	177	140	141	35.4
645	178	467	220	160	161	48.3
756	223	533	235	300	197	74.2
844	268	576	235	300	197	81.2
958	313	645	269	352	215	112.3
1003	358	645	269	352	215	113.3
1093	403	690	269	352	215	124.9
1138	448	690	269	352	215	125.9
1278	538	740	318	352	241	160.7
1368	628	740	318	352	241	161.8
1458	718	740	318	352	241	163.0
1548	808	740	318	352	241	164.1
1593	853	740	318	352	241	164.7



Performance Range

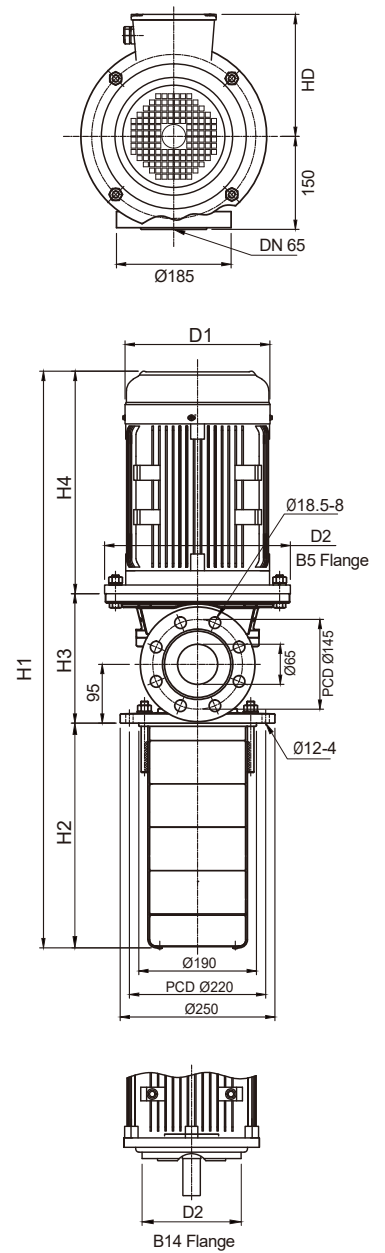


Specifications

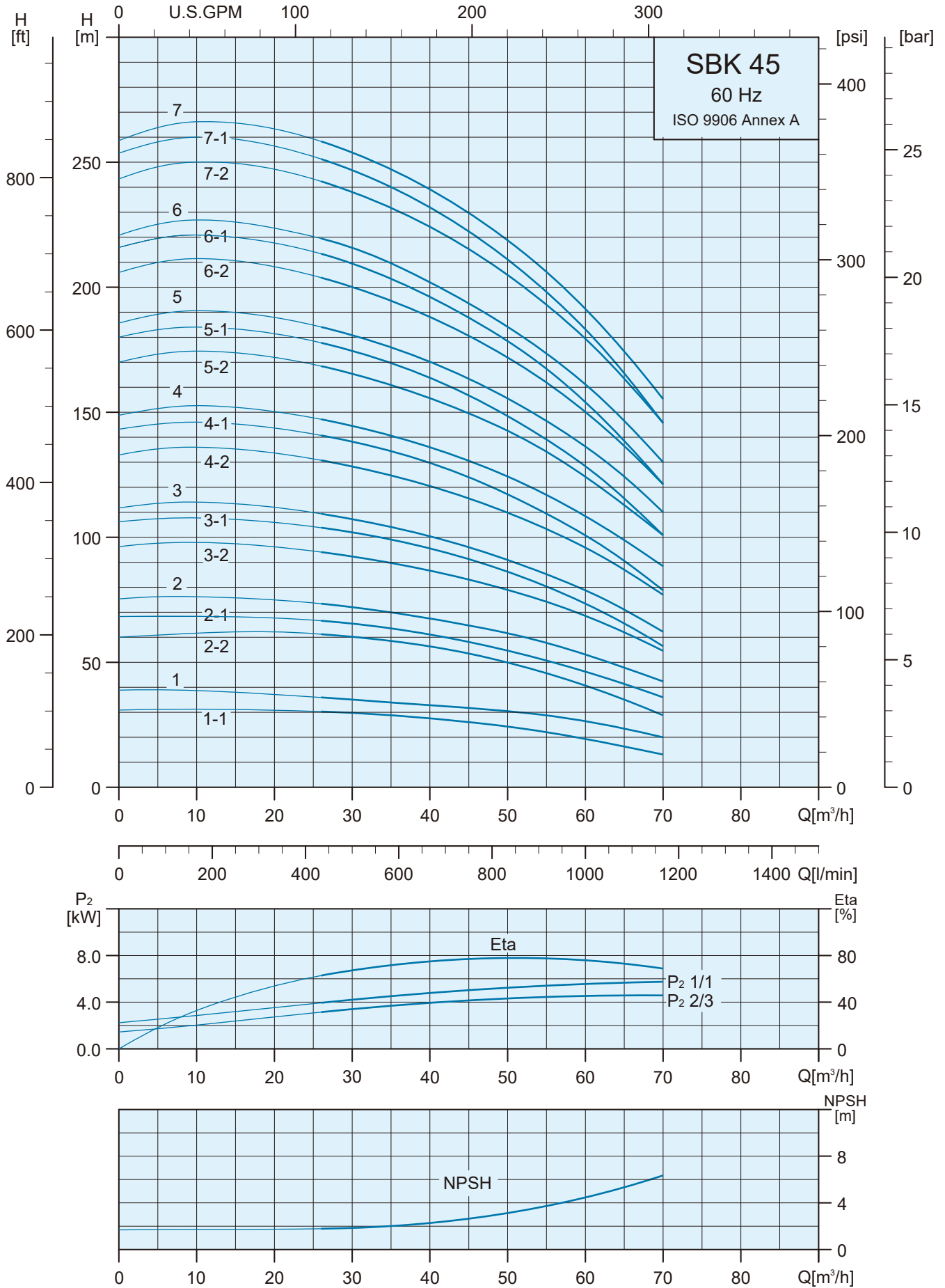
Pump Type	Motor	
	P ₂	
	kW	HP
SBK 32-2/1-1	2.2	3.0
SBK 32-2/1	3.0	4.0
SBK 32-2/2-1	5.5	7.5
SBK 32-2/2	7.5	10.0
SBK 32-3/3	11.0	15.0
SBK 32-4/4	15.0	20.0
SBK 32-5/5	18.5	25.0
SBK 32-6/6	18.5	25.0
SBK 32-7/7	22.0	30.0
SBK 32-8/8	30.0	40.0
SBK 32-9/9	30.0	40.0
SBK 32-10/10-2	30.0	40.0

Dimensions and Weights

Dimensions (mm)							Net Weight (kg)
H1	H2	H3	H4	D1	D2	HD	
656	223	138	295	177	200(B5)	141	45.5
677	223	138	316	197	160(B14)	147	49.8
794	223	209	362	235	300(B5)	197	83.2
837	223	209	405	235	300(B5)	197	89.1
947	293	209	445	269	350(B5)	215	120.9
1062	363	209	490	269	350(B5)	215	133.5
1182	433	209	540	318	350(B5)	241	168.6
1252	503	209	540	318	350(B5)	241	170.8
1322	573	209	540	318	350(B5)	241	186.3
1512	643	209	660	390	400(B5)	295	283.9
1582	713	209	660	390	400(B5)	295	286.2
1652	783	209	660	390	400(B5)	295	288.3



Performance Range

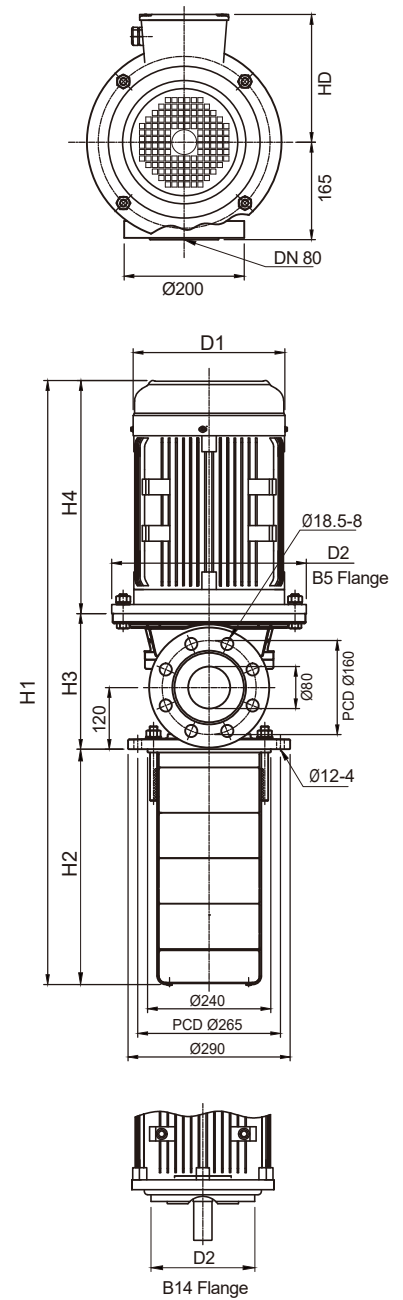


Specifications

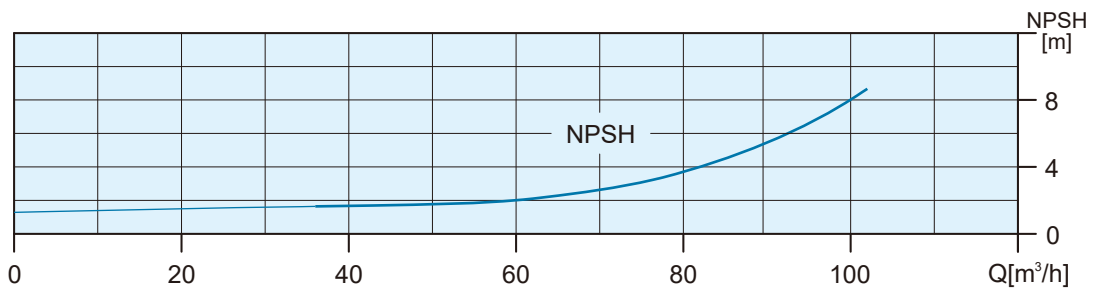
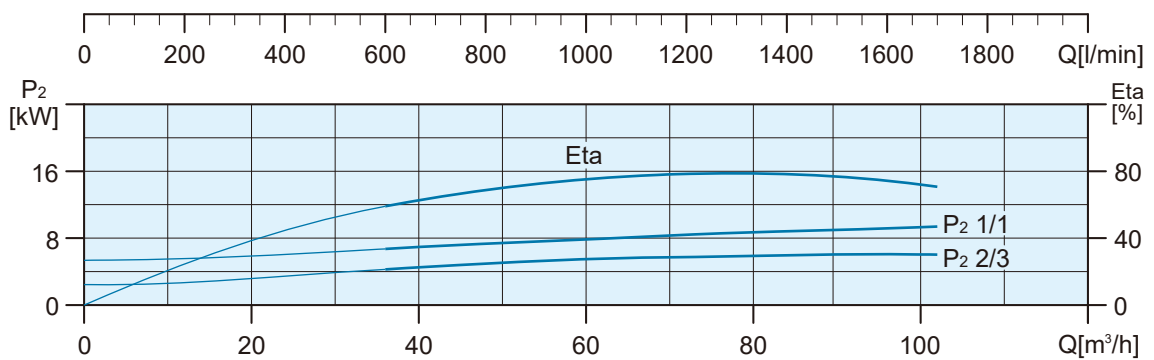
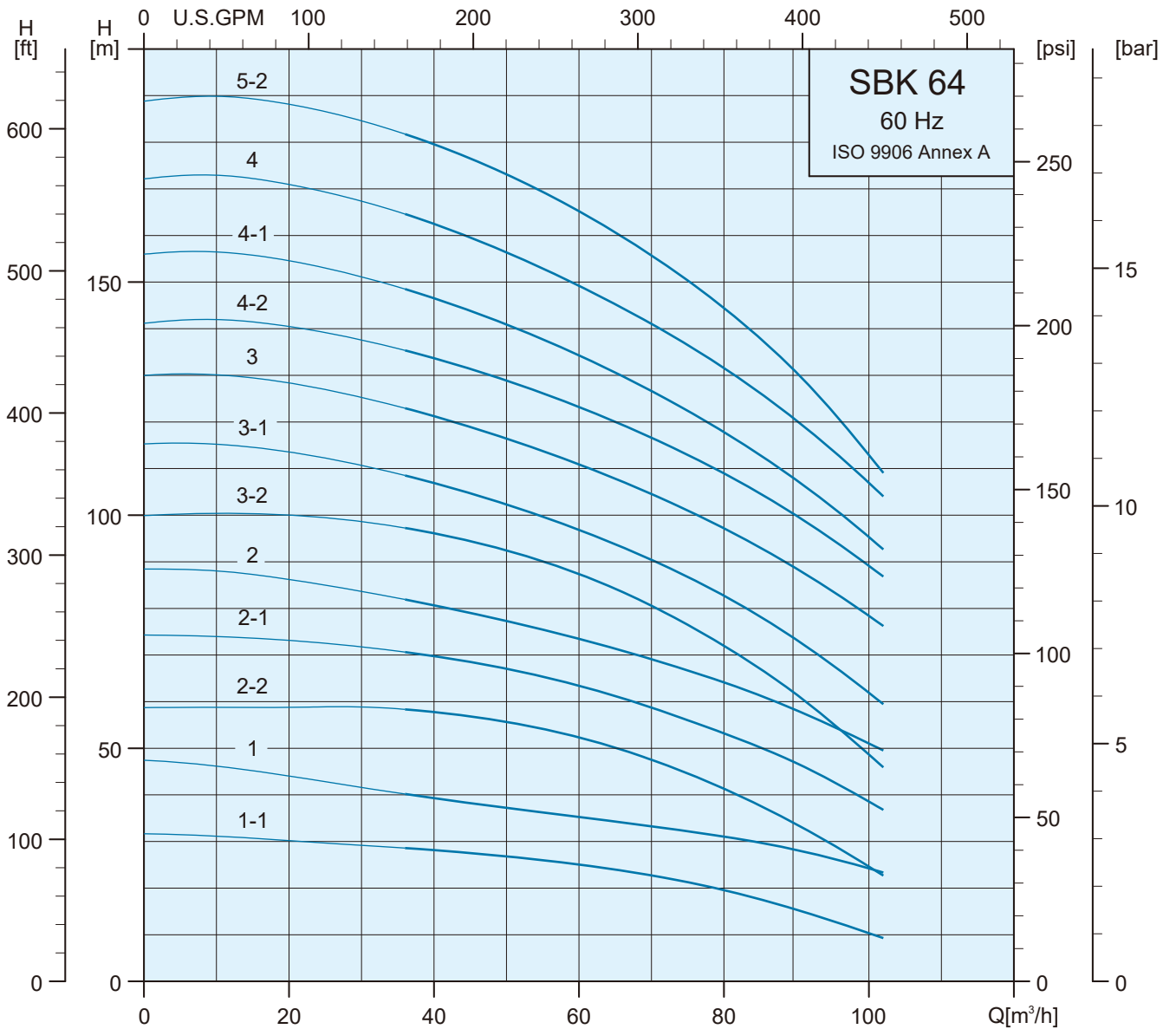
Pump Type	Motor	
	P ₂	
	kW	HP
SBK 45-2/1-1	5.5	7.5
SBK 45-2/1	7.5	10.0
SBK 45-2/2-2	11.0	15.0
SBK 45-2/2-1	11.0	15.0
SBK 45-2/2	15.0	20.0
SBK 45-3/3-2	18.5	25.0
SBK 45-3/3-1	18.5	25.0
SBK 45-3/3	18.5	25.0
SBK 45-4/4-2	22.0	30.0
SBK 45-4/4-1	30.0	40.0
SBK 45-4/4	30.0	40.0
SBK 45-5/5-2	30.0	40.0
SBK 45-5/5-1	30.0	40.0
SBK 45-5/5	30.0	40.0
SBK 45-6/6-2	37.0	50.0
SBK 45-6/6-1	37.0	50.0
SBK 45-6/6	37.0	50.0
SBK 45-7/7-2	45.0	60.0
SBK 45-7/7-1	45.0	60.0
SBK 45-7/7	45.0	60.0

Dimensions and Weights

Dimensions (mm)								Net Weight (kg)
H1	H2	H3	H4	D1	D2	HD		
846	244	240	362	235	300(B5)	197	88.4	
889	244	240	405	235	300(B5)	197	94.3	
929	244	240	445	269	350(B5)	215	125.2	
929	244	240	445	269	350(B5)	215	125.2	
974	244	240	490	269	350(B5)	215	135.8	
1104	324	240	540	318	350(B5)	241	171.3	
1104	324	240	540	318	350(B5)	241	171.3	
1104	324	240	540	318	350(B5)	241	171.3	
1184	404	240	540	318	350(B5)	241	187.4	
1304	404	240	660	390	400(B5)	295	283.0	
1304	404	240	660	390	400(B5)	295	283.0	
1384	484	240	660	390	400(B5)	295	285.7	
1384	484	240	660	390	400(B5)	295	285.7	
1384	484	240	660	390	400(B5)	295	285.7	
1464	564	240	660	390	400(B5)	295	306.4	
1464	564	240	660	390	400(B5)	295	306.4	
1464	564	240	660	390	400(B5)	295	306.4	
1593	644	259	690	446	450(B5)	325	393.9	
1593	644	259	690	446	450(B5)	325	393.9	
1593	644	259	690	446	450(B5)	325	393.9	



Performance Range

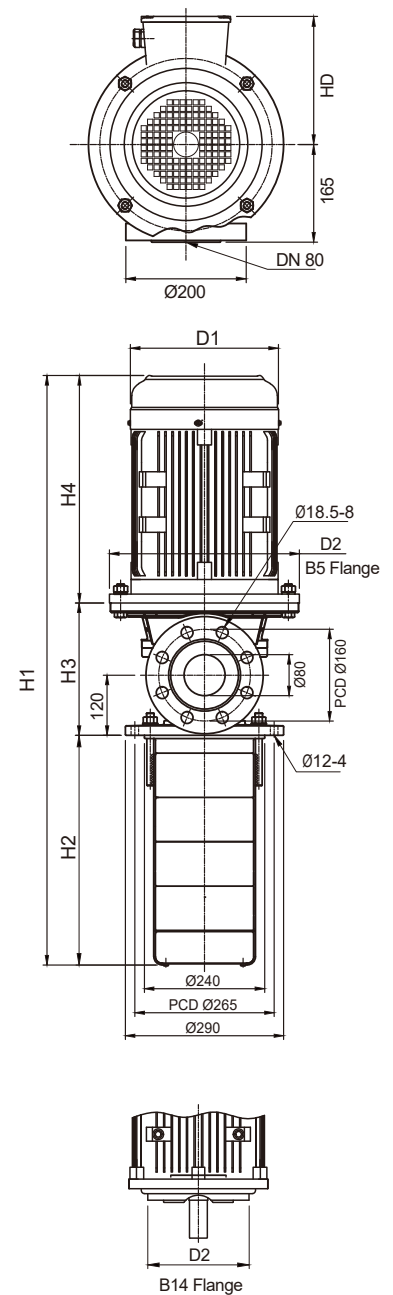


Specifications

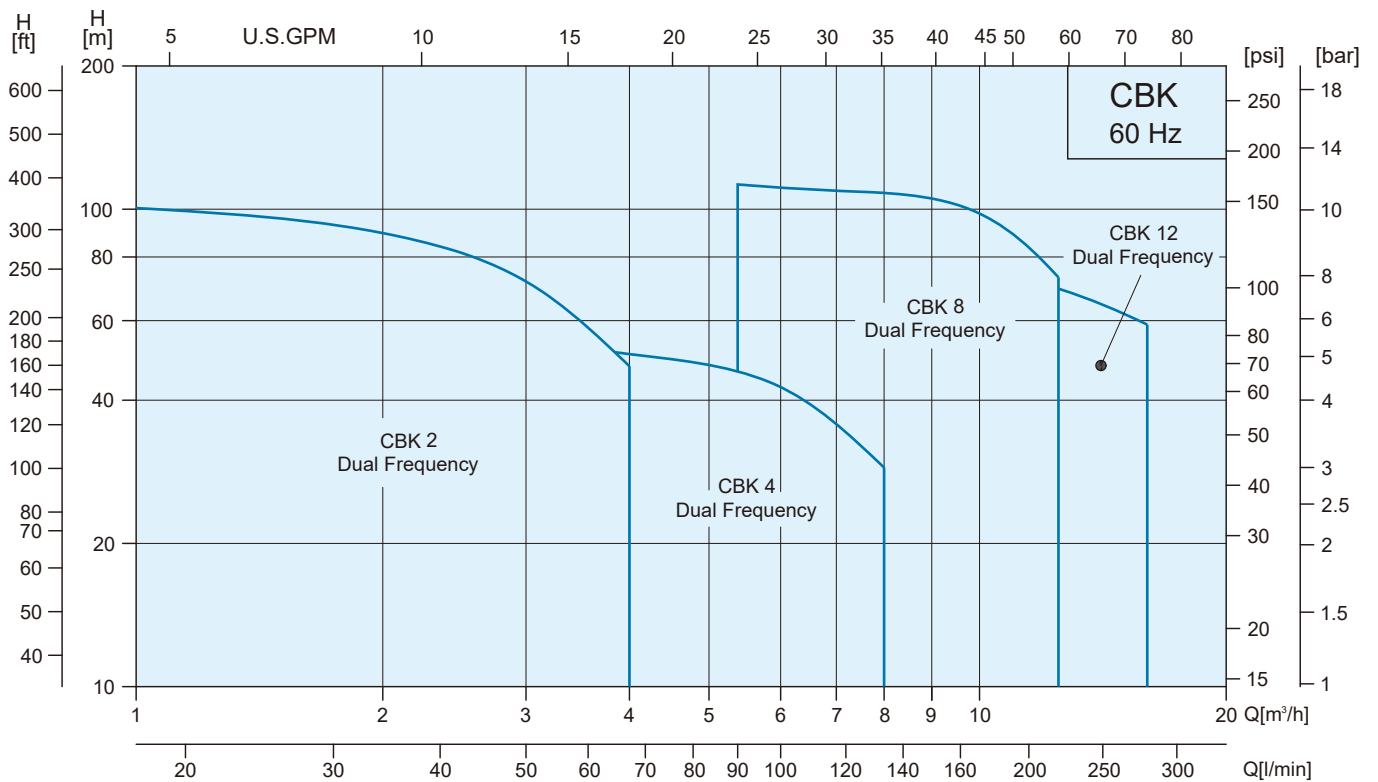
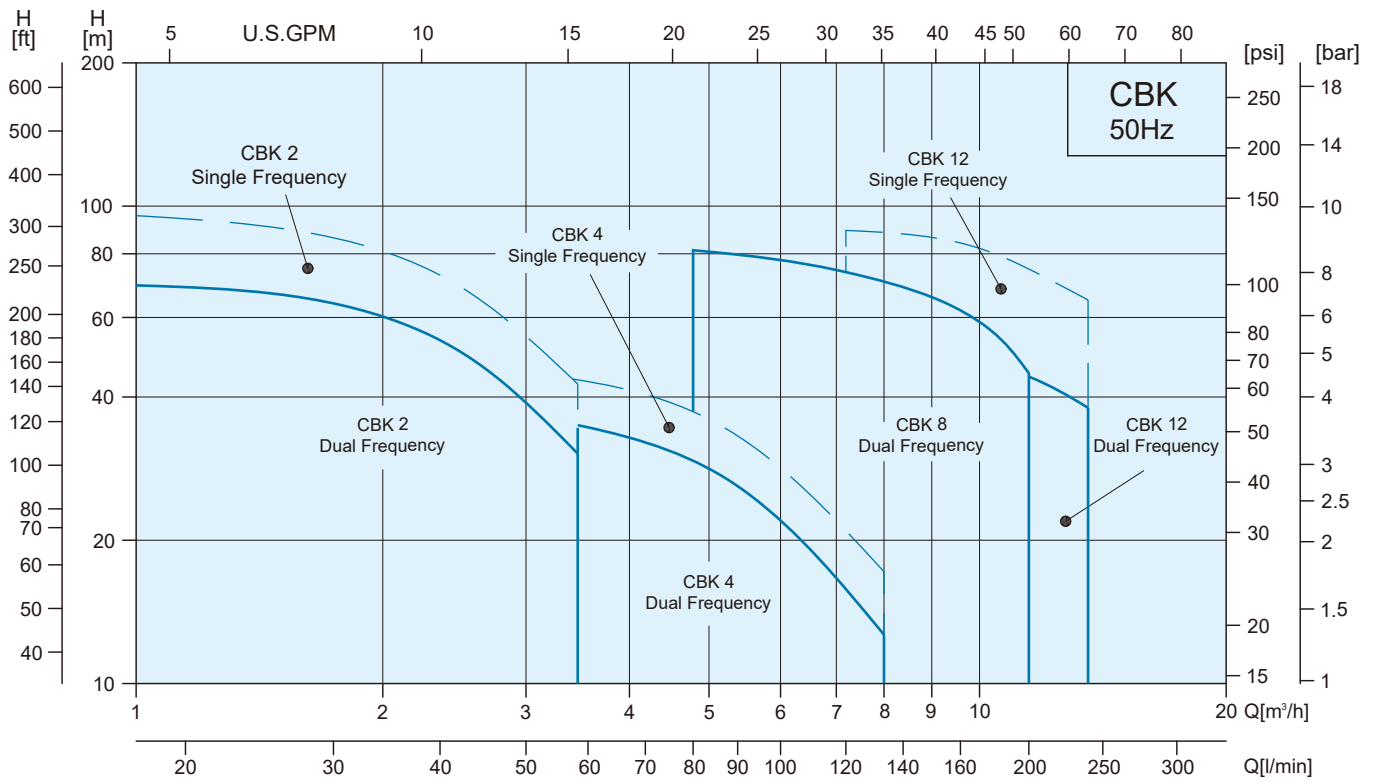
Pump Type	Motor	
	P ₂	
	kW	HP
SBK 64-2/1-1	7.5	10.0
SBK 64-2/1	11.0	15.0
SBK 64-2/2-2	15.0	20.0
SBK 64-2/2-1	18.5	25.0
SBK 64-2/2	22.0	30.0
SBK 64-3/3-2	22.0	30.0
SBK 64-3/3-1	30.0	40.0
SBK 64-3/3	30.0	40.0
SBK 64-4/4-2	37.0	50.0
SBK 64-4/4-1	37.0	50.0
SBK 64-4/4	45.0	60.0
SBK 64-5/5-2	45.0	60.0
SBK 64-6/5-2	45.0	60.0

Dimensions and Weights

Dimensions (mm)								Net Weight (kg)
H1	H2	H3	H4	D1	D2	HD		
894	249	240	405	235	300(B5)	197	95.4	
934	249	240	445	269	350(B5)	215	125.1	
979	249	240	490	269	350(B5)	215	136.5	
1029	249	240	540	318	350(B5)	241	169.4	
1029	249	240	540	318	350(B5)	241	182.8	
1112	332	240	540	318	350(B5)	241	185.7	
1232	332	240	660	390	400(B5)	295	281.3	
1232	332	240	660	390	400(B5)	295	281.3	
1314	414	240	660	390	400(B5)	295	302.2	
1314	414	240	660	390	400(B5)	295	302.2	
1363	414	259	690	446	450(B5)	325	387.2	
1446	497	259	690	446	450(B5)	325	390.1	
1529	580	259	690	446	450(B5)	325	390.4	

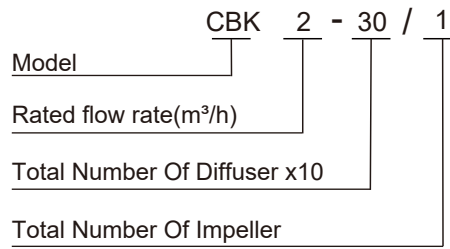


Performance Range





Model Code



Applications

- Cooling units
- Grinding machines
- Machine centers
- Spark machine tools
- Filtering systems
- Milling machines
- Boring machines
- Drilling machines
- Swarf conveyors
- Industrial washing machines

Feature

- Compact design
- High Efficiency Reliability
- Easy installation
- Flexible installation length
- Wide performance range
- Reliability
- Service-friendly

Motor

- CBK is fitted with totally enclosed fan-cooled, 2-pole standard motor.
- Enclosure class : IP 55
- Insulation class : F
- Ambient temperature : Max.+50°C

Pumped Liquids

Do not pump the explosive or aggressive liquids and the liquids should be free of fibers. The CBK pumps have the strainer in the suction chamber with inlet to prevent large particles from entering and damaging the pump. In order to avoid the larger particles block the filters, we suggest to filtrate elementarily before pumping the liquids with particles.

Standard Voltages

	Phase	Voltages
50Hz	3Ø	3 X 220-240V / 380-415V
60Hz	3Ø	3 X 220-255V / 380-480V
		3 X 220-277V / 380-480V

Mechanical Seals

Made of Tungsten carbide / Tungsten carbide Viton.

Seal Type	CBK
	2,4,8,12
H : O-ring seal with fixed seal driver	●
Seals Face Material	
QQ	○
UU	●
Secondary Seal Material	
E	○
V	●

● Std. ○ Opt. - N/A

HUUV Standard

Mechanical seal is available in different material per customer's demand.

List of Materials	
H : Seal Type	E : EPDM
U : Tungsten carbide	V : Viton
Q : Silicon carbide	



Product Data

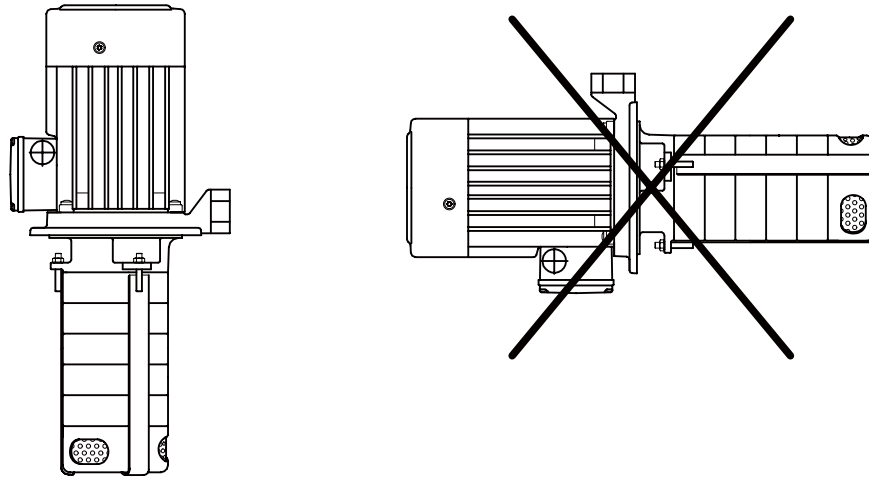
50Hz

Range	2	4	8	12
Rated Flow Rate(m³/h)	2.5	4.0	8.0	12.5
Flow Range (m³/h)	1~3.5	1~8	4.8~12	7.2~14.4
Maximum Head (bar)	10.0	5.0	8.5	9.5
Motor Power (w)	260~1520	370~1530	1114~3429	2410~5667
Temperature Range (°C)	-10 to +90			
Pipe Connection				
Union	Rp 3/4		Rp 1 1/4	

60Hz

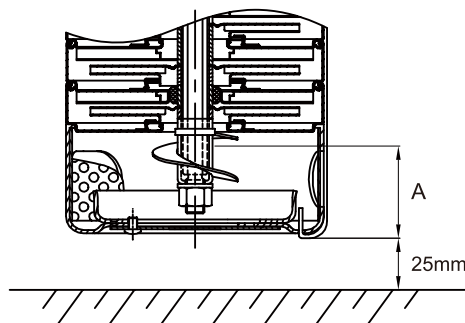
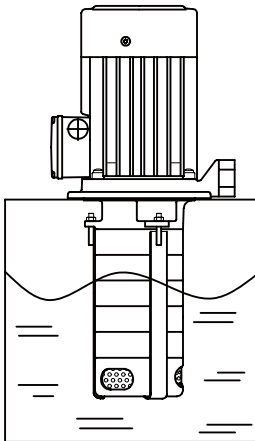
Range	2	4	8	12
Rated Flow Rate(m³/h)	3.0	4.8	9.5	12.5
Flow Range (m³/h)	1~4	1~8	5.4~13.2	9.6~16.8
Maximum Head (bar)	10.0	5.0	12.0	8.5
Motor Power (w)	340~1820	520~1950	1724~5448	3867~5619
Temperature Range (°C)	-10 to +90			
Pipe Connection				
Union	Rp 3/4		Rp 1 1/4	

Installation



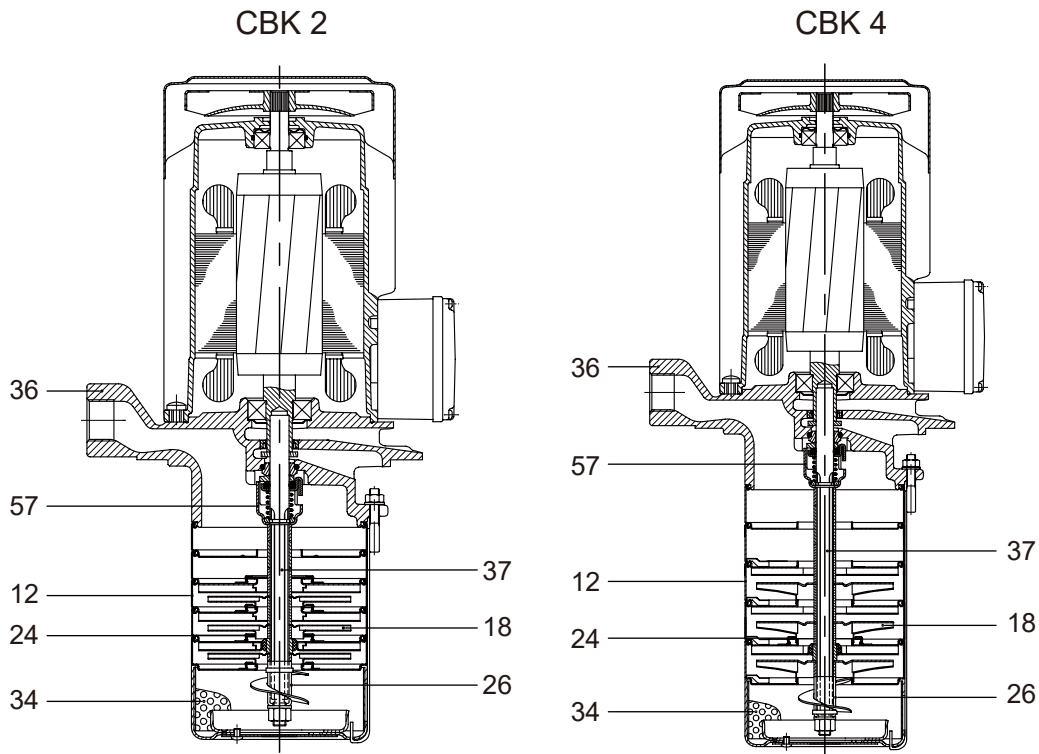
Note

- > When you install the CBK 2,4,8,12 series pumps, you must follow the instruction as below.
- > The distance between the liquid level and the pump bottom (Minimum) : A (mm)
- > The distance between the pump and the tank bottom (Minimum) : 25mm



Model	A (mm)
CBK 2,4,8,12	40

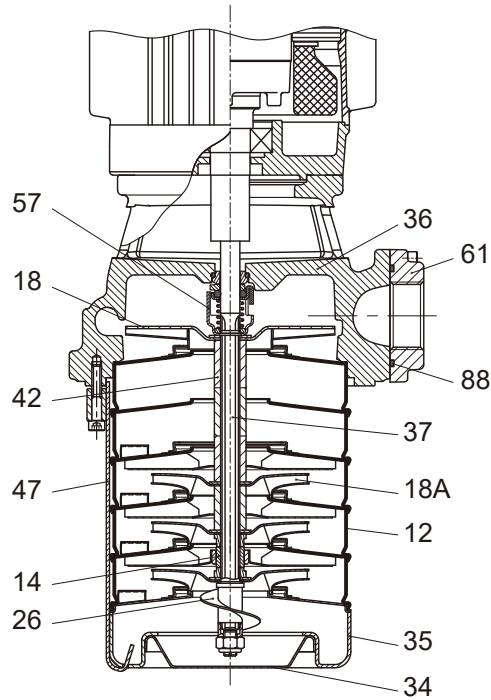
Materials



Pos.	Name	Material	Europe	AISI/ASTM
12	Chamber complete	Stainless steel	1.4301	AISI 304
18	Impeller	Stainless steel	1.4301	AISI 304
24	Neck ring	PTFE		
26	Priming screw	Stainless steel	1.4301	AISI 304
34	Strainer(internal)	Stainless steel	1.4301	AISI 304
36	Pump head	Cast Iron EN-GJL-200	0.6020	ASTM 25B
37	Pump shaft	Stainless steel	1.4057	AISI 431
57	Shaft seal	HUUV		

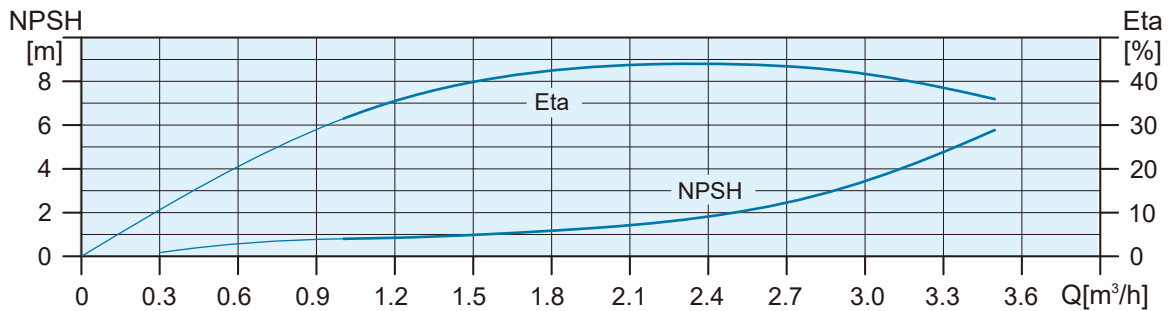
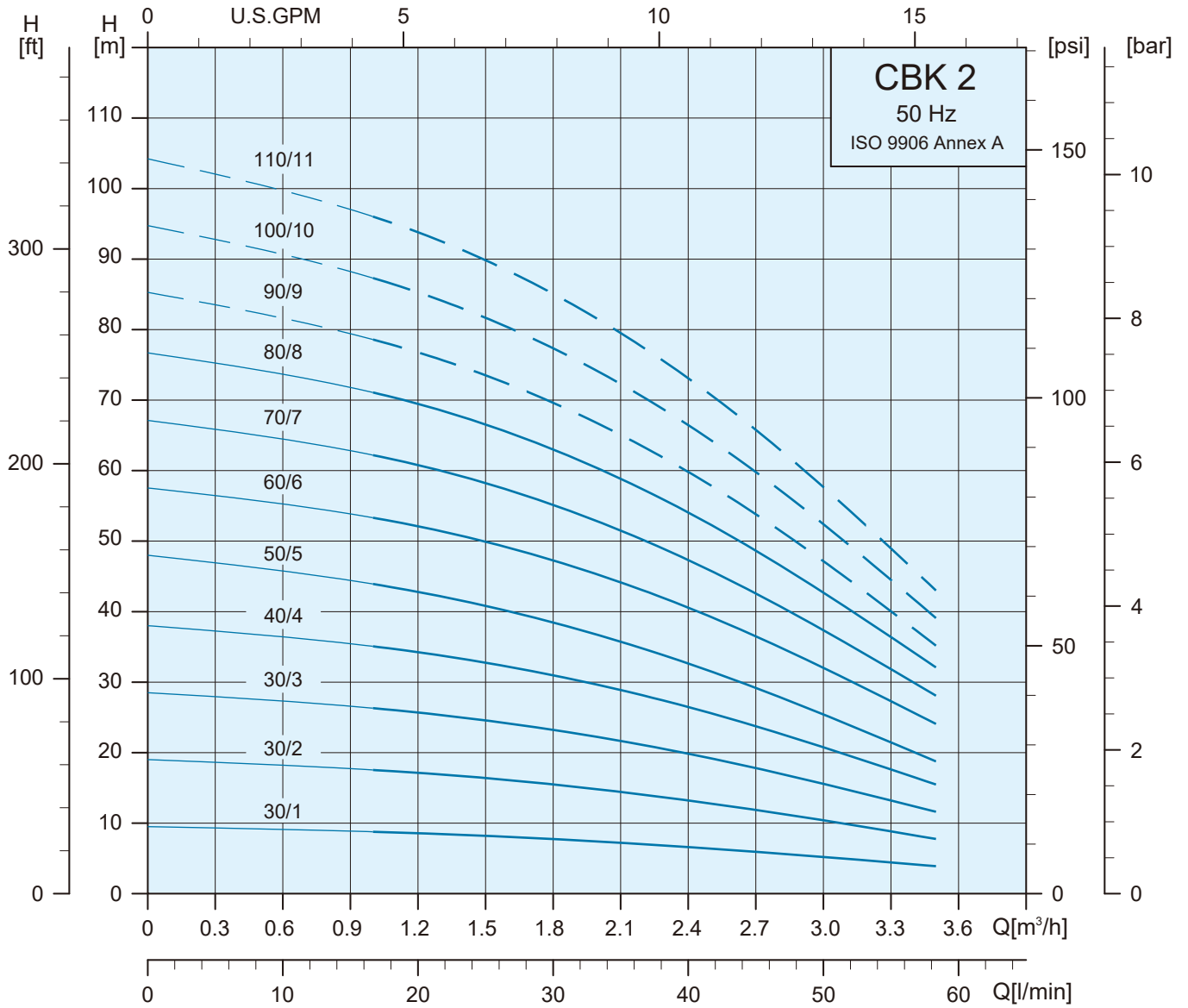
Materials

CBK 8,12



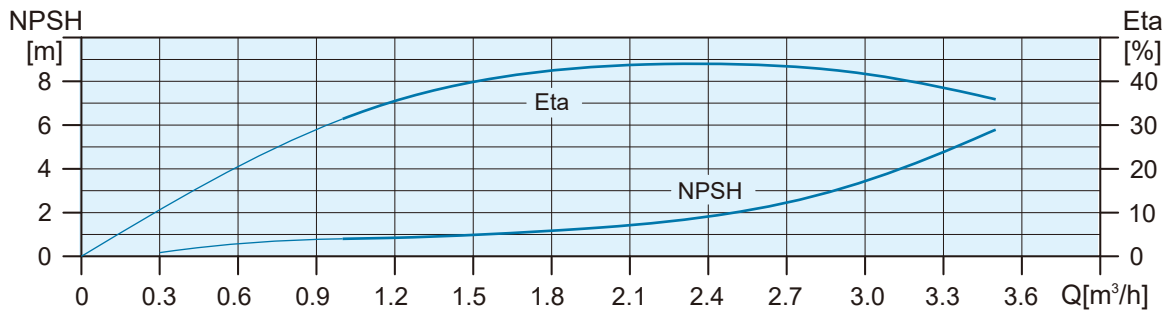
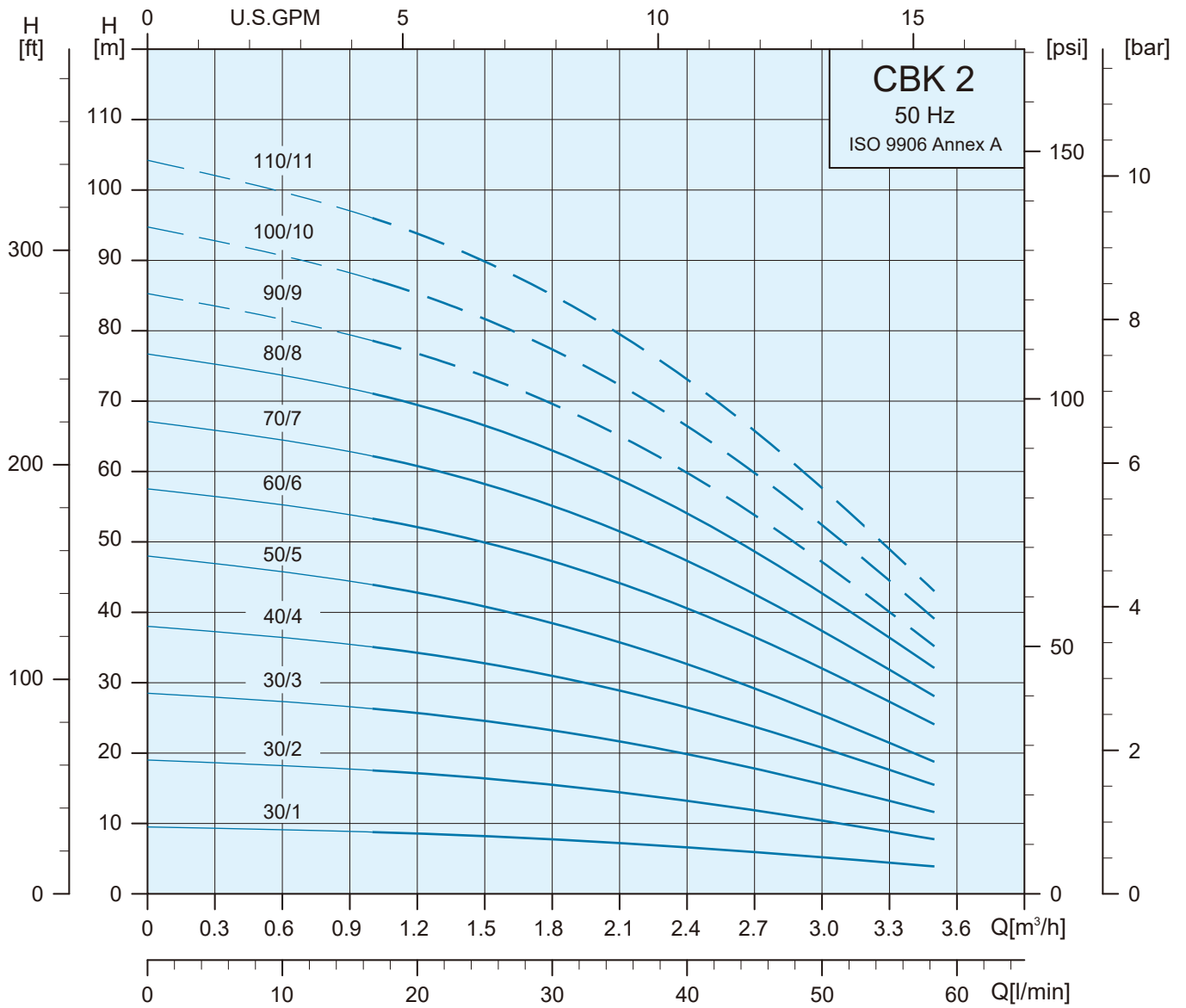
Pos.	Name	Material	Europe	AISI/ASTM
12	Chamber complete	Stainless steel	1.4301	AISI 304
14	Bearing	Silicon carbide		
18	Impeller	Stainless steel	1.4301	AISI 304
18A	Impeller	Stainless steel	1.4301	AISI 304
26	Priming screw	Stainless steel	1.4301	AISI 304
34	Strainer(internal)	Stainless steel	1.4301	AISI 304
35	Retainer for strainer	Stainless steel	1.4301	AISI 304
36	Pump head	EN-GJL-200	0.6020	ASTM 25B
37	Pump shaft	Stainless steel	1.4057	AISI 431
42	Spacing pipe	Stainless steel	1.4301	AISI 304
47	Strap	Stainless steel	1.4301	AISI 304
57	Shaft seal	HUUV		
61	Flange	EN-GJL-200	0.6020	ASTM 25B
88	O-ring*	FKM		

Performance Range



* - - - - - Single Frequency
 ——— Dual Frequency

Performance Range



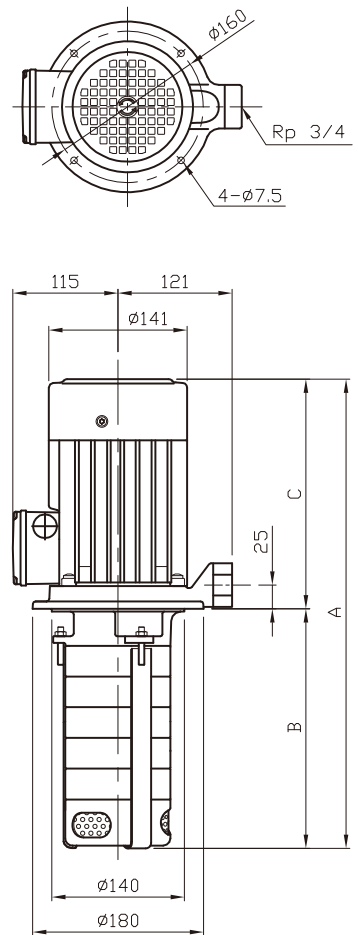
* - - - - Single Frequency
— Dual Frequency

Specifications

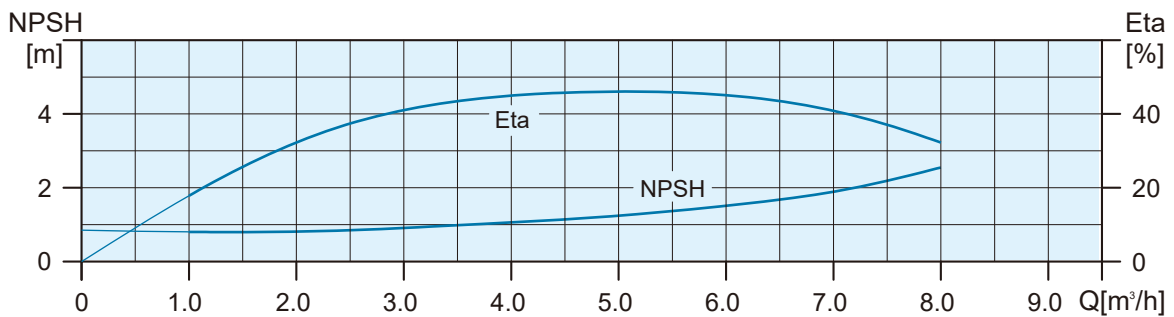
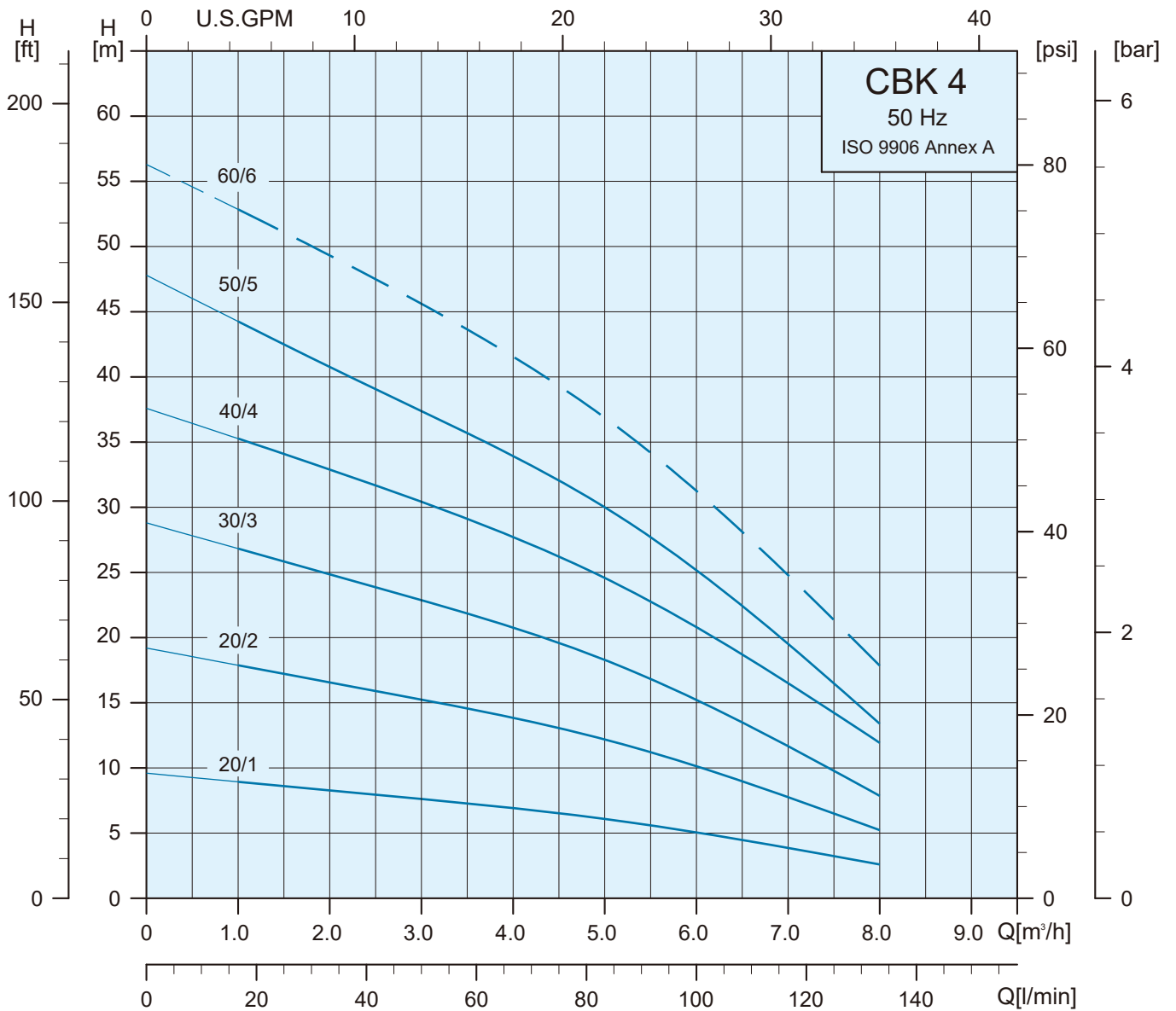
Dual Frequency		
Pump Type	Motor	Max.Amp [A]
	P ₁ [W]	3x220-240/380-415V
CBK 2-90/1	260	1.6-1.9 / 0.9-1.1
CBK 2-90/2	380	1.7-2.1 / 1.0-1.2
CBK 2-90/3	590	2.4-3.1 / 1.4-1.8
CBK 2-90/4	630	2.6-3.3 / 1.5-1.9
CBK 2-90/5	860	3.3-3.6 / 1.9-2.1
CBK 2-90/6	910	3.5-3.8 / 2.0-2.2
CBK 2-90/7	1040	4.3-5.0 / 2.5-2.9
CBK 2-90/8	1230	4.7-5.4 / 2.7-3.1
CBK 2-100/1	260	1.6-1.9 / 0.9-1.1
CBK 2-100/2	380	1.7-2.1 / 1.0-1.2
CBK 2-100/3	590	2.4-3.1 / 1.4-1.8
CBK 2-100/4	630	2.6-3.3 / 1.5-1.9
CBK 2-100/5	860	3.3-3.6 / 1.9-2.1
CBK 2-100/6	910	3.5-3.8 / 2.0-2.2
CBK 2-100/7	1040	4.3-5.0 / 2.5-2.9
CBK 2-100/8	1230	4.7-5.4 / 2.7-3.1
CBK 2-110/1	260	1.6-1.9 / 0.9-1.1
CBK 2-110/2	380	1.7-2.1 / 1.0-1.2
CBK 2-110/3	590	2.4-3.1 / 1.4-1.8
CBK 2-110/4	630	2.6-3.3 / 1.5-1.9
CBK 2-110/5	860	3.3-3.6 / 1.9-2.1
CBK 2-110/6	910	3.5-3.8 / 2.0-2.2
CBK 2-110/7	1040	4.3-5.0 / 2.5-2.9
CBK 2-110/8	1230	4.7-5.4 / 2.7-3.1
Single Frequency		
Pump Type	Motor	Max.Amp [A]
	P ₁ [W]	3x220-240/380-415V
CBK 2-90/9	1210	4.1-4.6 / 2.4-2.7
CBK 2-100/9	1210	4.1-4.6 / 2.4-2.7
CBK 2-100/10	1390	4.9-5.7 / 2.8-3.3
CBK 2-110/9	1210	4.1-4.6 / 2.4-2.7
CBK 2-110/10	1390	4.9-5.7 / 2.8-3.3
CBK 2-110/11	1520	5.4-6.0 / 3.1-3.5

Dimensions and Weights

Dual Frequency			
Dimensions (mm)			Net Weight (kg)
A	B	C	
454	250	204	12.7
454	250	204	12.8
454	250	204	13.0
454	250	204	13.0
494	250	244	14.5
494	250	244	14.8
494	250	244	15.9
494	250	244	16.0
472	268	204	12.9
472	268	204	13.0
472	268	204	13.2
472	268	204	13.4
512	268	244	14.8
512	268	244	14.8
512	268	244	16.1
512	268	244	16.1
490	286	204	13.0
490	286	204	13.2
490	286	204	13.4
490	286	204	13.5
530	286	244	14.8
530	286	244	15.0
530	286	244	16.3
530	286	244	16.3
Single Frequency			
Dimensions (mm)			Net Weight (kg)
A	B	C	
494	250	244	14.8
512	268	244	15.0
512	268	244	16.3
530	286	244	15.2
530	286	244	16.6
530	286	244	16.7



Performance Range



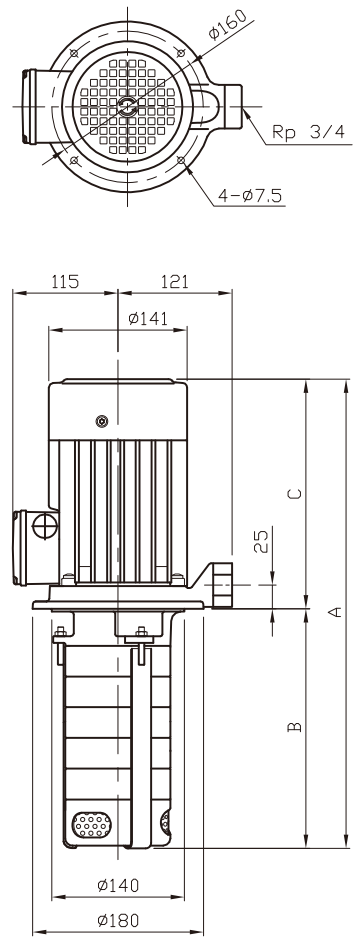
* - - - - Single Frequency
 ——— Dual Frequency

Specifications

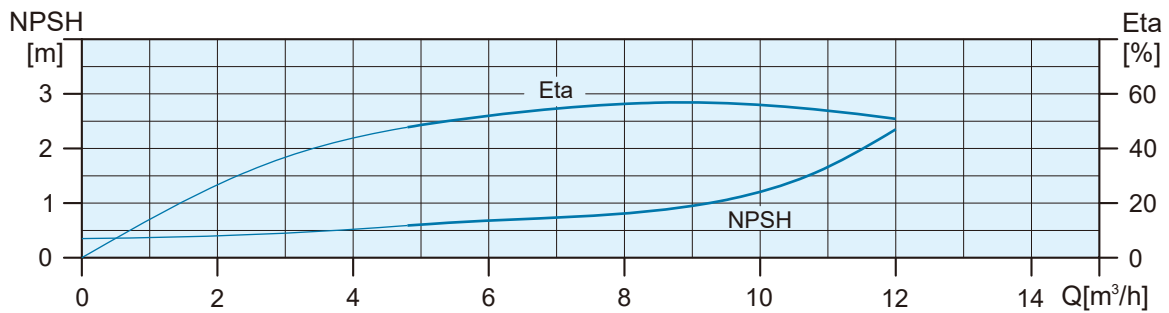
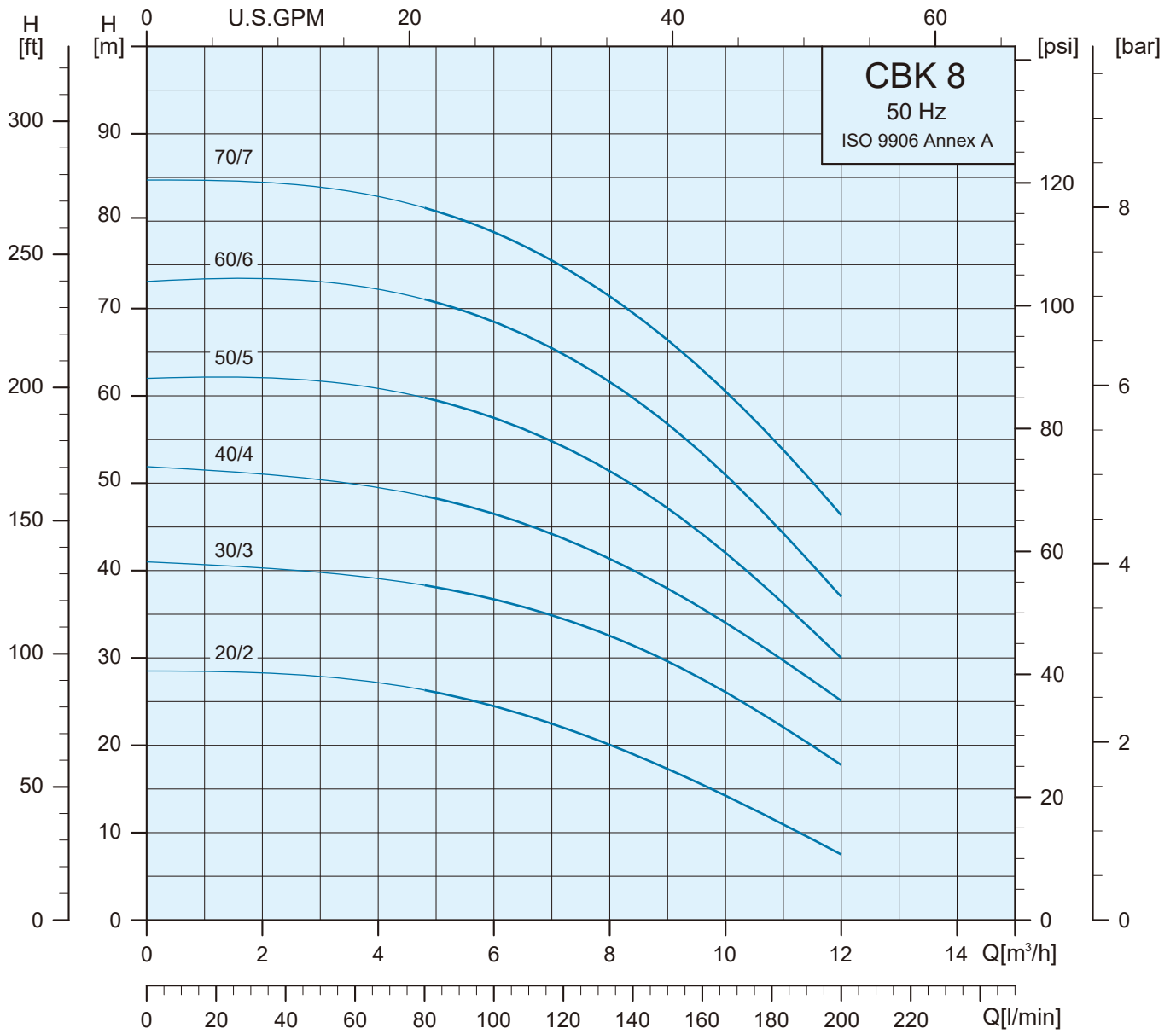
Dual Frequency		
Pump Type	Motor	Max.Amp [A]
	P ₁ [W]	3x220-240/380-415V
CBK 4-20/1	370	1.7-1.9 / 1.0-1.1
CBK 4-20/2	630	2.6-3.1 / 1.5-1.8
CBK 4-30/1	370	1.7-1.9 / 1.0-1.1
CBK 4-30/2	630	2.6-3.1 / 1.5-1.8
CBK 4-30/3	820	3.1-3.6 / 1.8-2.1
CBK 4-40/1	370	1.7-1.9 / 1.0-1.1
CBK 4-40/2	630	2.6-3.1 / 1.5-1.8
CBK 4-40/3	820	3.1-3.6 / 1.8-2.1
CBK 4-40/4	1090	4.3-5.0 / 2.5-2.9
CBK 4-50/1	370	1.7-1.9 / 1.0-1.1
CBK 4-50/2	630	2.6-3.1 / 1.5-1.8
CBK 4-50/3	820	3.1-3.6 / 1.8-2.1
CBK 4-50/4	1090	4.3-5.0 / 2.5-2.9
CBK 4-50/5	1300	4.6-5.3 / 2.7-3.1
CBK 4-60/1	370	1.7-1.9 / 1.0-1.1
CBK 4-60/2	630	2.6-3.1 / 1.5-1.8
CBK 4-60/3	820	3.1-3.6 / 1.8-2.1
CBK 4-60/4	1090	4.3-5.0 / 2.5-2.9
CBK 4-60/5	1300	4.6-5.3 / 2.7-3.1
CBK 4-70/1	370	1.7-1.9 / 1.0-1.1
CBK 4-70/2	630	2.6-3.1 / 1.5-1.8
CBK 4-70/3	820	3.1-3.6 / 1.8-2.1
CBK 4-70/4	1090	4.3-5.0 / 2.5-2.9
CBK 4-70/5	1300	4.6-5.3 / 2.7-3.1
CBK 4-80/1	370	1.7-1.9 / 1.0-1.1
CBK 4-80/2	630	2.6-3.1 / 1.5-1.8
CBK 4-80/3	820	3.1-3.6 / 1.8-2.1
CBK 4-80/4	1090	4.3-5.0 / 2.5-2.9
CBK 4-80/5	1300	4.6-5.3 / 2.7-3.1
Single Frequency		
Pump Type	Motor	Max.Amp [A]
	P ₁ [W]	3x220-240/380-415V
CBK 4-60/6	1530	5.5-5.9 / 3.2-3.4
CBK 4-70/6	1530	5.5-5.9 / 3.2-3.4
CBK 4-80/6	1530	5.5-5.9 / 3.2-3.4

Dimensions and Weights

Dual Frequency			
Dimensions (mm)			Net Weight (kg)
A	B	C	
346	142	204	11.5
346	142	204	11.6
373	169	204	11.7
373	169	204	11.9
413	169	244	13.4
400	196	204	12.0
400	196	204	12.1
440	196	244	13.7
440	196	244	14.9
427	223	204	12.1
427	223	204	12.3
467	223	244	14.0
467	223	244	15.1
467	223	244	15.2
454	250	204	12.4
454	250	204	12.5
494	250	244	14.1
494	250	244	15.3
494	250	244	15.5
481	277	204	12.5
481	277	204	12.6
521	277	244	14.2
521	277	244	15.5
521	277	244	15.6
508	304	204	12.7
508	304	204	12.9
548	304	244	14.5
548	304	244	15.7
548	304	244	15.9
Single Frequency			
Dimensions (mm)			Net Weight (kg)
A	B	C	
494	250	244	15.6
521	277	244	15.8
548	304	244	16.1



Performance Range



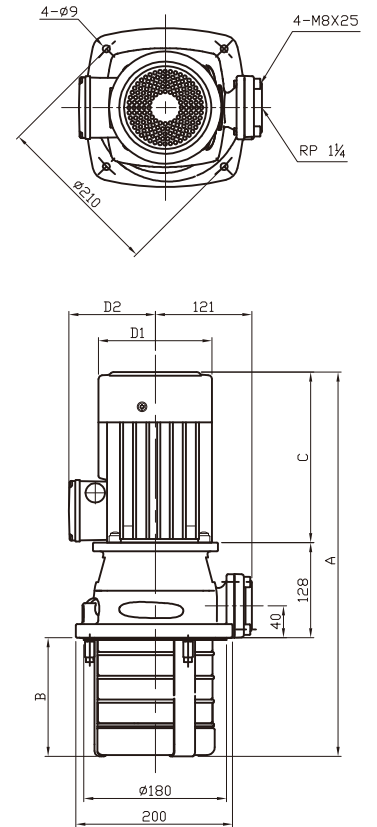
* — Dual Frequency

Specifications

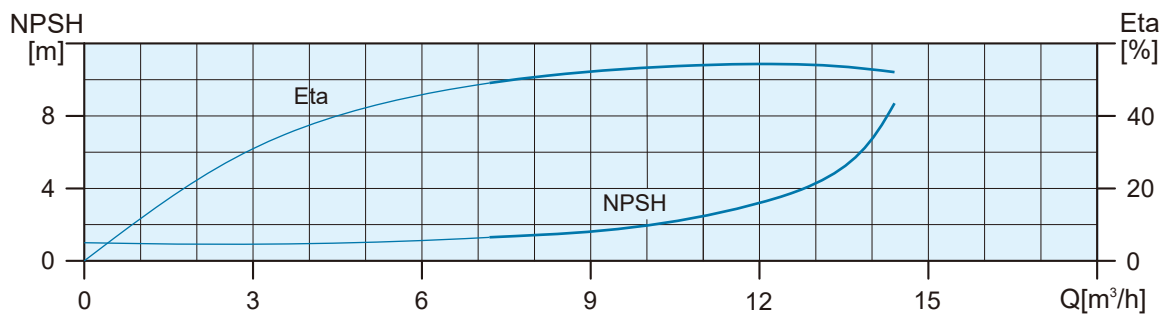
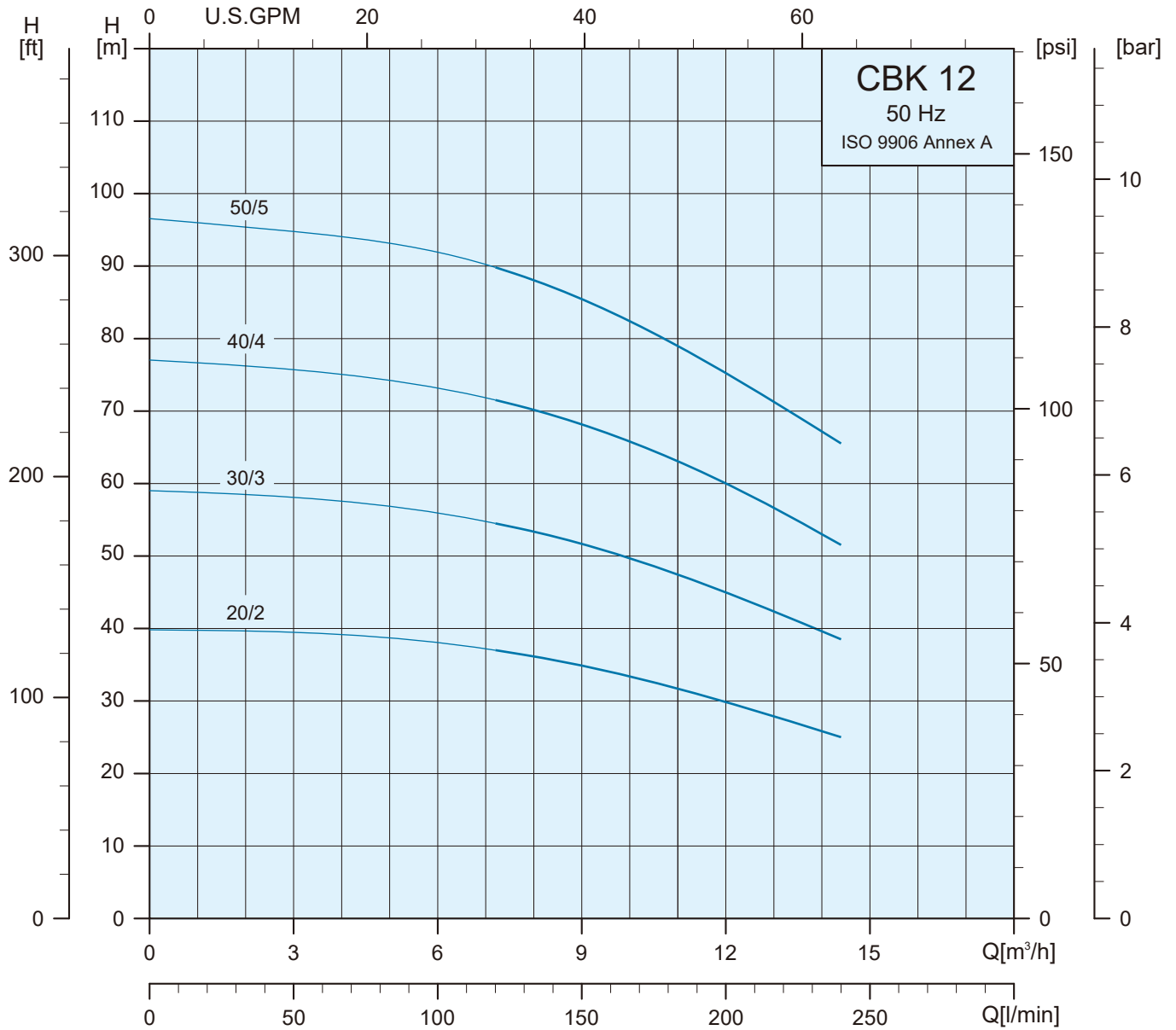
Dual Frequency		
Pump Type	Motor	Max.Amp [A]
	P ₁ [W]	3x220-240/380-415V
CBK 8-20/2	1114	4.1-4.8 / 2.4-2.8
CBK 8-30/2	1114	4.1-4.8 / 2.4-2.8
CBK 8-30/3	1648	5.4-6.2 / 3.2-3.6
CBK 8-40/2	1114	4.1-4.8 / 2.4-2.8
CBK 8-40/3	1648	5.4-6.2 / 3.2-3.6
CBK 8-40/4	2105	7.0-7.9 / 4.0-4.6
CBK 8-50/2	1114	4.1-4.8 / 2.4-2.8
CBK 8-50/3	1648	5.4-6.2 / 3.2-3.6
CBK 8-50/4	2105	7.0-7.9 / 4.0-4.6
CBK 8-50/5	2638	10.8-11.8 / 6.3-7.0
CBK 8-60/2	1114	4.1-4.8 / 2.4-2.8
CBK 8-60/3	1648	5.4-6.2 / 3.2-3.6
CBK 8-60/4	2105	7.0-7.9 / 4.0-4.6
CBK 8-60/5	2638	10.8-11.8 / 6.3-7.0
CBK 8-60/6	3095	9.2-11.1 / 5.3-6.5
CBK 8-70/2	1114	4.1-4.8 / 2.4-2.8
CBK 8-70/3	1648	5.4-6.2 / 3.2-3.6
CBK 8-70/4	2105	7.0-7.9 / 4.0-4.6
CBK 8-70/5	2638	10.8-11.8 / 6.3-7.0
CBK 8-70/6	3095	9.2-11.1 / 5.3-6.5
CBK 8-70/7	3429	10.4-11.5 / 6.0-6.7

Dimensions and Weights

Dual Frequency					
Dimensions (mm)					Net Weight (kg)
A	B	C	D1	D2	
423	60	235	141	115	19.3
453	90	235	141	115	19.4
509	90	291	177	141	28.5
483	120	235	141	115	20.1
539	120	291	177	141	28.9
539	120	291	177	141	31.3
513	150	235	141	115	20.5
569	150	291	177	141	29.2
569	150	291	177	141	31.7
594	150	316	197	147	37.7
543	180	235	141	115	20.8
599	180	291	177	141	29.6
599	180	291	177	141	32.0
624	180	316	197	147	37.4
634	180	326	220	161	43.9
573	210	235	141	115	21.6
629	210	291	177	141	29.9
629	210	291	177	141	32.4
654	210	316	197	147	37.7
664	210	326	220	161	44.3
664	210	326	220	161	44.7



Performance Range



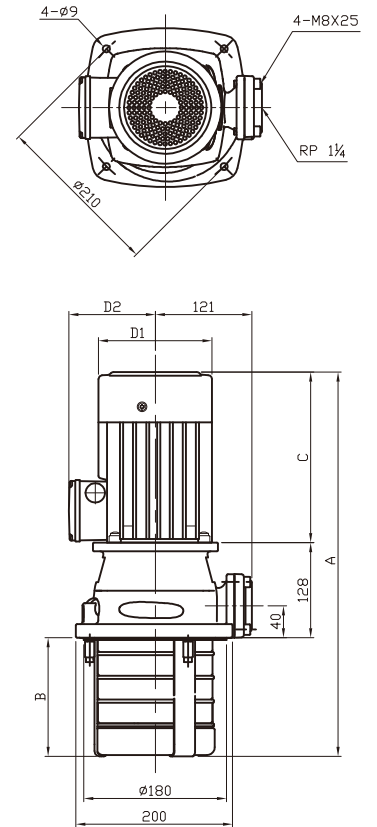
* — Dual Frequency

Specifications

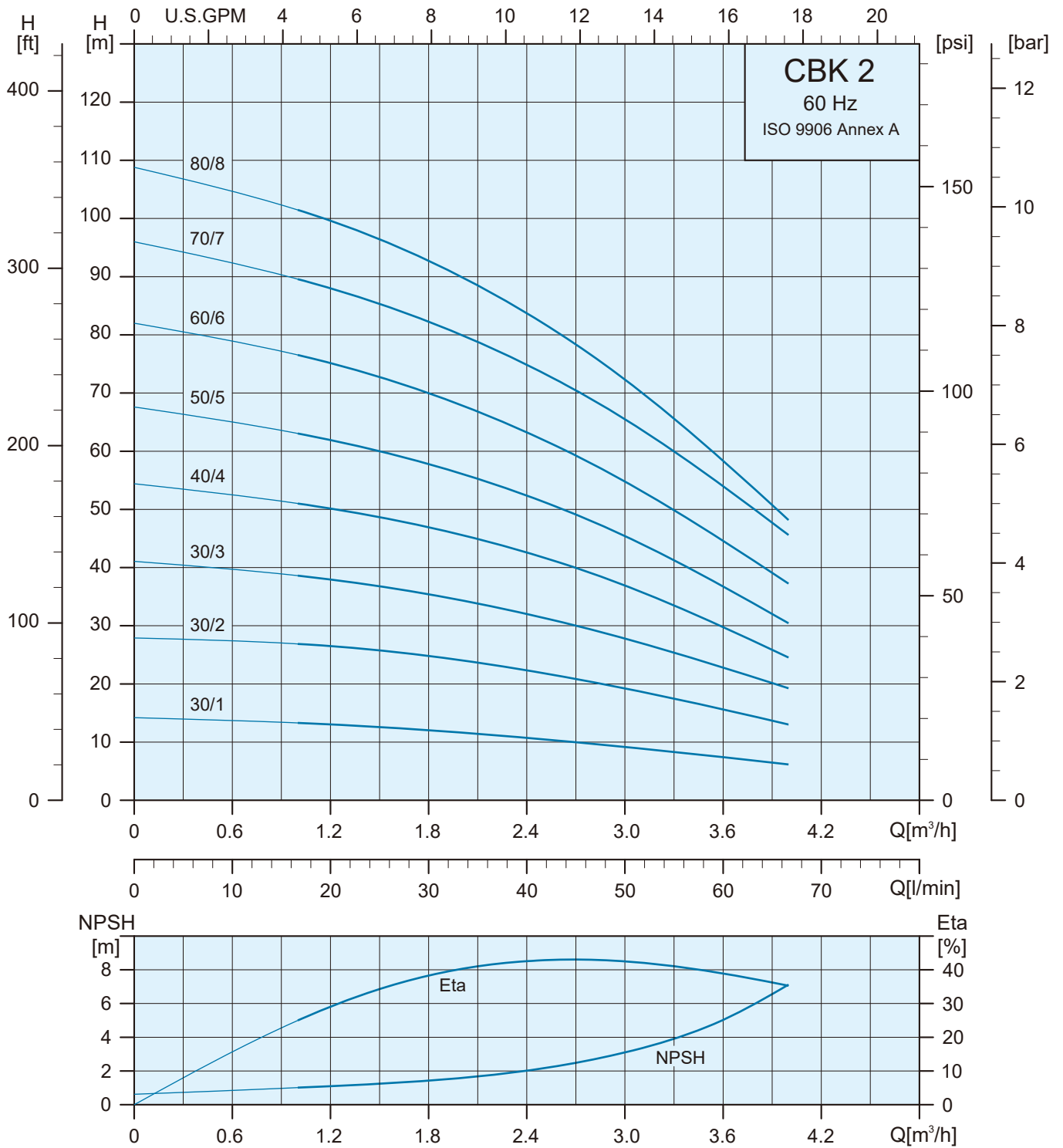
Dual Frequency		
Pump Type	Motor	Max.Amp [A]
	P ₁ [W]	3x220-240/380-415V
CBK 12-20/2	2410	8.9-10.7 / 5.2-6.2
CBK 12-30/2	2410	8.9-10.7 / 5.2-6.2
CBK 12-30/3	3600	11.0-12.2 / 6.4-7.1
CBK 12-40/2	2410	8.9-10.7 / 5.2-6.2
CBK 12-40/3	3600	11.0-12.2 / 6.4-7.1
CBK 12-50/2	2410	8.9-10.7 / 5.2-6.2
CBK 12-50/3	3600	11.0-12.2 / 6.4-7.1
CBK 12-60/2	2410	8.9-10.7 / 5.2-6.2
CBK 12-60/3	3600	11.0-12.2 / 6.4-7.1
CBK 12-70/2	2410	8.9-10.7 / 5.2-6.2
CBK 12-70/3	3600	11.0-12.2 / 6.4-7.1
Single Frequency		
Pump Type	Motor	Max.Amp [A]
	P ₁ [W]	3x220-240/380-415V
CBK 12-40/4	4571	13.4-13.8 / 7.7-8.0
CBK 12-50/4	4571	13.4-13.8 / 7.7-8.0
CBK 12-50/5	5667	15.5-15.9 / 9.0-9.2
CBK 12-60/4	4571	13.4-13.8 / 7.7-8.0
CBK 12-60/5	5667	15.5-15.9 / 9.0-9.2
CBK 12-70/4	4571	13.4-13.8 / 7.7-8.0
CBK 12-70/5	5667	15.5-15.9 / 9.0-9.2

Dimensions and Weights

Dual Frequency					
Dimensions (mm)					Net Weight (kg)
A	B	C	D1	D2	
504	60	316	197	147	34.8
534	90	316	197	147	35.2
544	90	326	220	161	41.7
564	120	316	197	147	35.5
574	120	326	220	161	42.1
594	150	316	197	147	35.9
604	150	326	220	161	42.4
624	180	316	197	147	36.2
634	180	326	220	161	42.8
654	210	316	197	147	36.6
664	210	326	220	161	43.1
Single Frequency					
Dimensions (mm)					Net Weight (kg)
A	B	C	D1	D2	
574	120	326	220	161	43.4
604	150	326	220	161	43.9
604	150	326	220	161	44.7
634	180	326	220	161	44.5
634	180	326	220	161	45.2
664	210	326	220	161	45.0
664	210	326	220	161	45.7

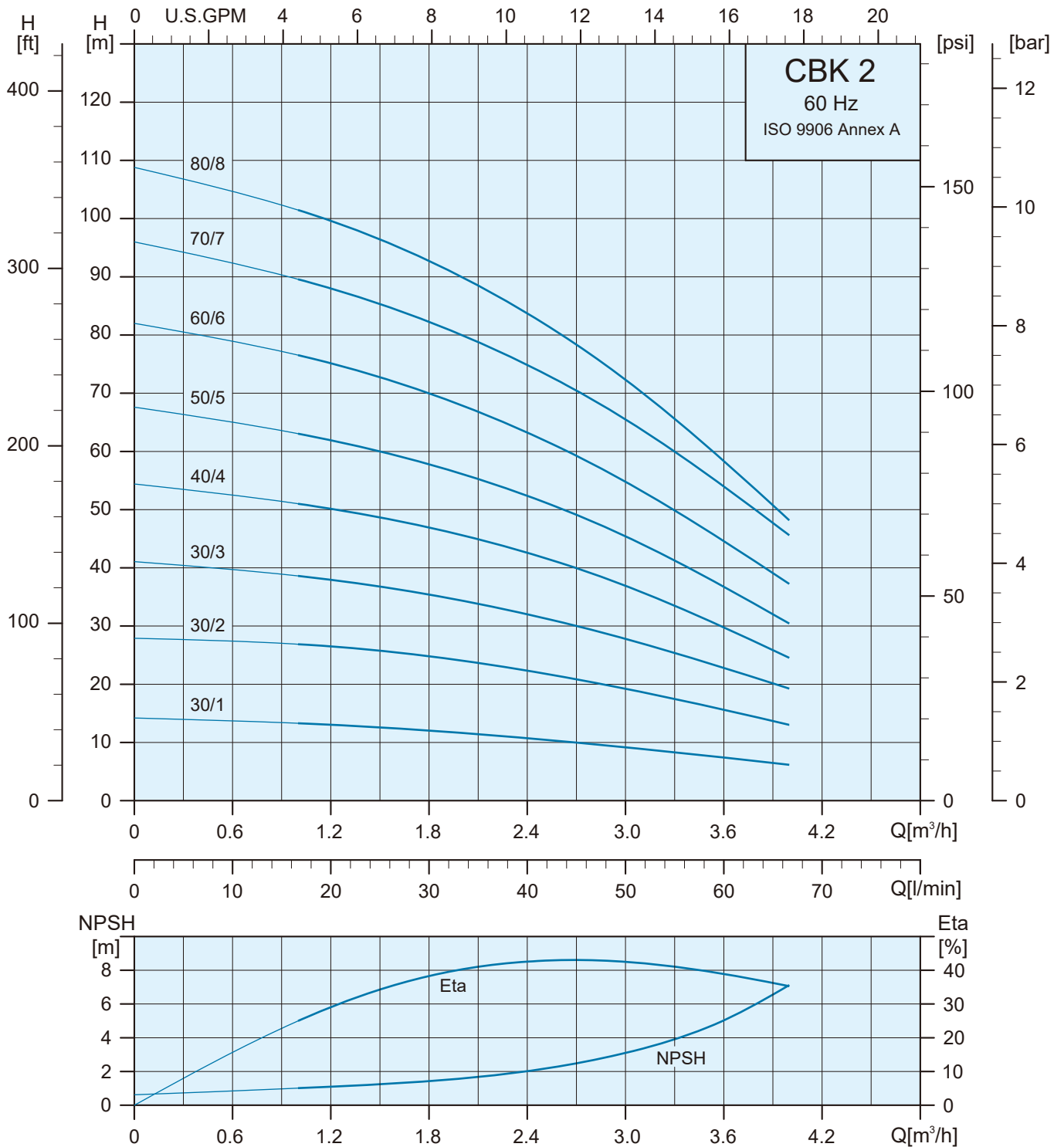


Performance Range



* — Dual Frequency

Performance Range



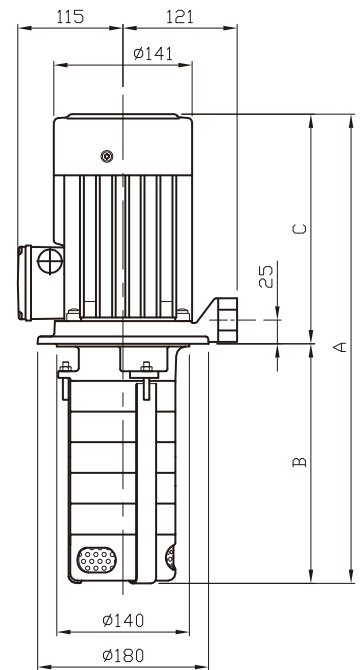
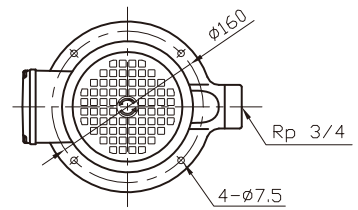
* — Dual Frequency

Specifications

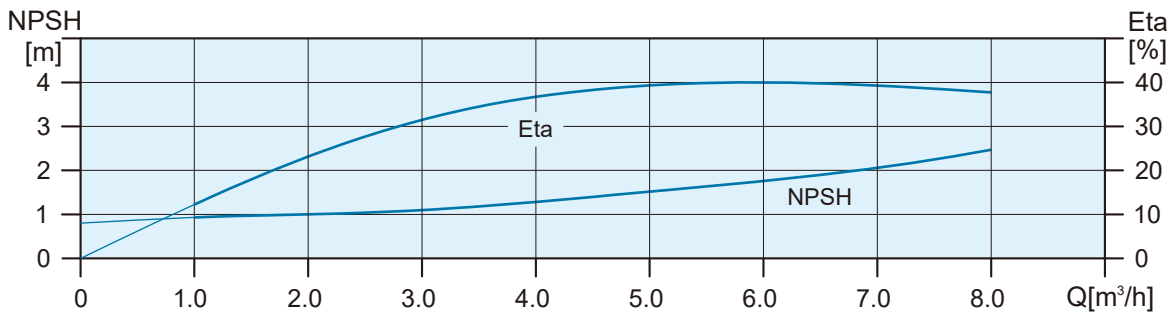
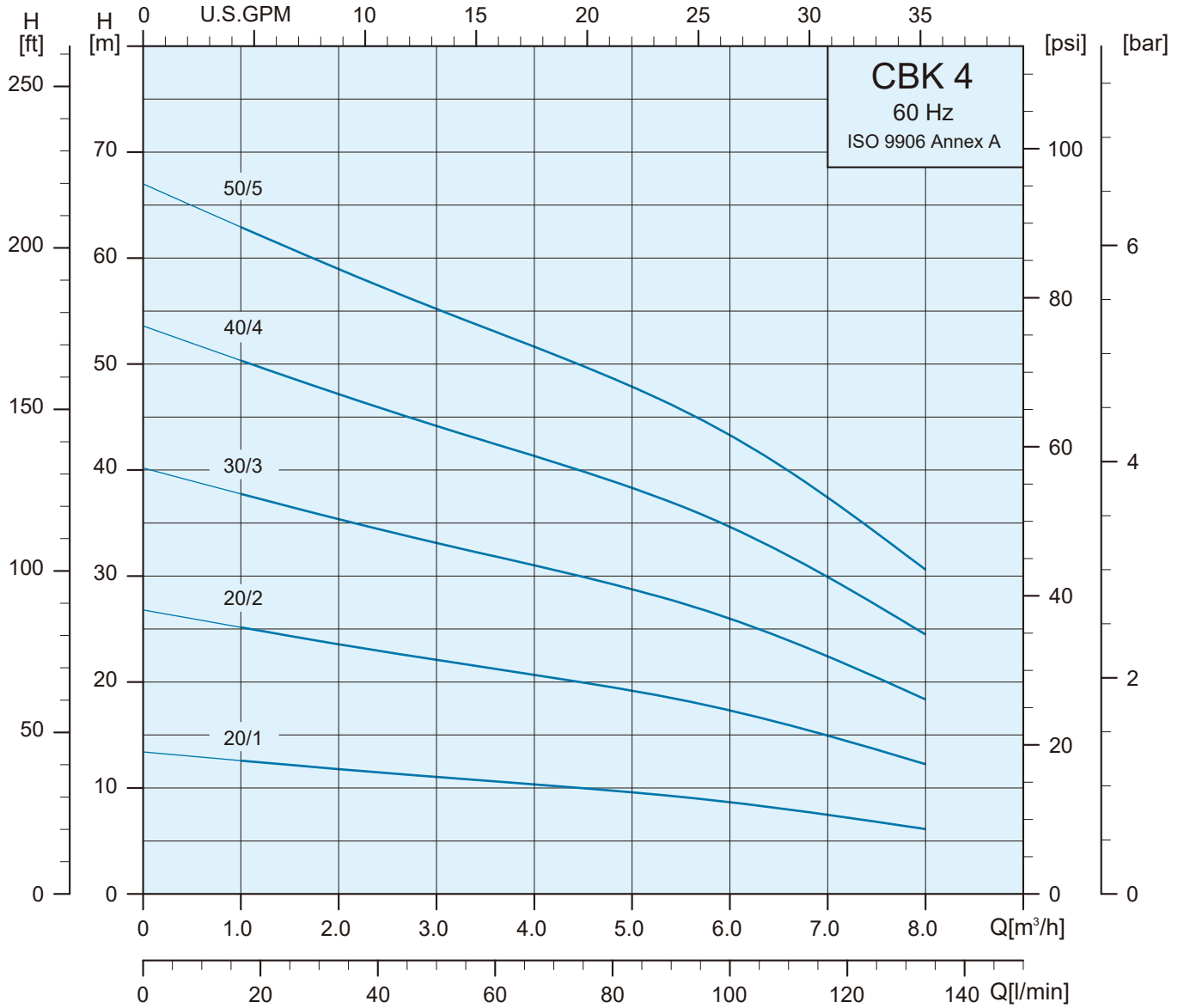
Dual Frequency		
Pump Type	Motor	Max.Amp [A]
	P ₁ [W]	3x220-255/380-440V
CBK 2-90/1	340	1.4-1.6 / 0.8-0.9
CBK 2-90/2	530	1.9-2.1 / 1.1-1.2
CBK 2-90/3	750	2.4-2.6 / 1.4-1.5
CBK 2-90/4	950	2.9-3.1 / 1.7-1.8
CBK 2-90/5	1280	3.8-4.0 / 2.2-2.3
CBK 2-90/6	1340	4.0-4.2 / 2.3-2.4
CBK 2-90/7	1750	5.4-5.6 / 3.1-3.2
CBK 2-90/8	1820	5.6-5.7 / 3.2-3.3
CBK 2-100/1	340	1.4-1.6 / 0.8-0.9
CBK 2-100/2	530	1.9-2.1 / 1.1-1.2
CBK 2-100/3	750	2.4-2.6 / 1.4-1.5
CBK 2-100/4	950	2.9-3.1 / 1.7-1.8
CBK 2-100/5	1280	3.8-4.0 / 2.2-2.3
CBK 2-100/6	1340	4.0-4.2 / 2.3-2.4
CBK 2-100/7	1750	5.4-5.6 / 3.1-3.2
CBK 2-100/8	1820	5.6-5.7 / 3.2-3.3
CBK 2-110/1	340	1.4-1.6 / 0.8-0.9
CBK 2-110/2	530	1.9-2.1 / 1.1-1.2
CBK 2-110/3	750	2.4-2.6 / 1.4-1.5
CBK 2-110/4	950	2.9-3.1 / 1.7-1.8
CBK 2-110/5	1280	3.8-4.0 / 2.2-2.3
CBK 2-110/6	1340	4.0-4.2 / 2.3-2.4
CBK 2-110/7	1750	5.4-5.6 / 3.1-3.2
CBK 2-110/8	1820	5.6-5.7 / 3.2-3.3

Dimensions and Weights

Dual Frequency			
Dimensions (mm)			Net Weight (kg)
A	B	C	
454	250	204	12.7
454	250	204	12.8
454	250	204	13.0
454	250	204	13.0
494	250	244	14.5
494	250	244	14.8
494	250	244	15.9
494	250	244	16.0
472	268	204	12.9
472	268	204	13.0
472	268	204	13.2
472	268	204	13.4
512	268	244	14.8
512	268	244	14.8
512	268	244	16.1
512	268	244	16.1
490	286	204	13.0
490	286	204	13.2
490	286	204	13.4
490	286	204	13.5
530	286	244	14.8
530	286	244	15.0
530	286	244	16.3
530	286	244	16.3



Performance Range



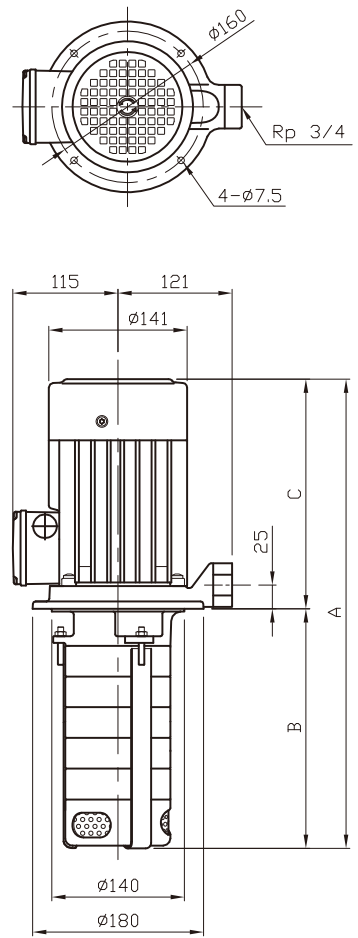
* — Dual Frequency

Specifications

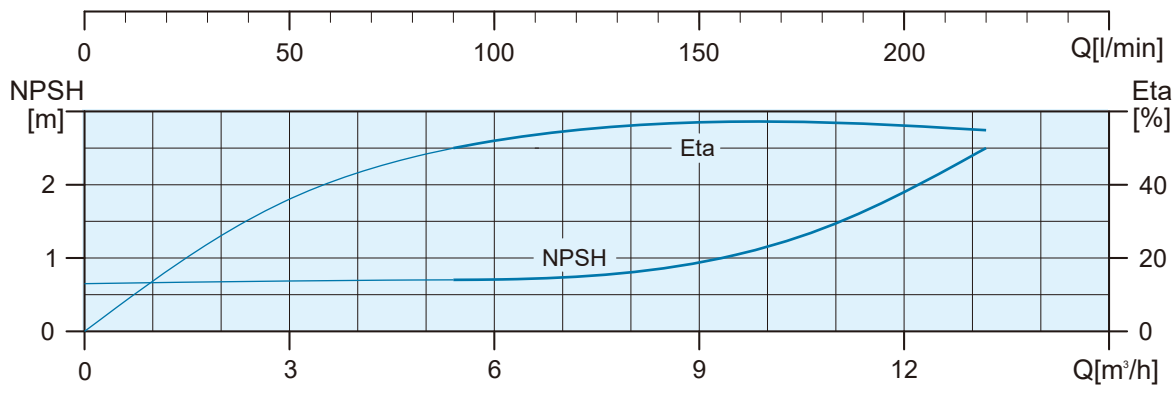
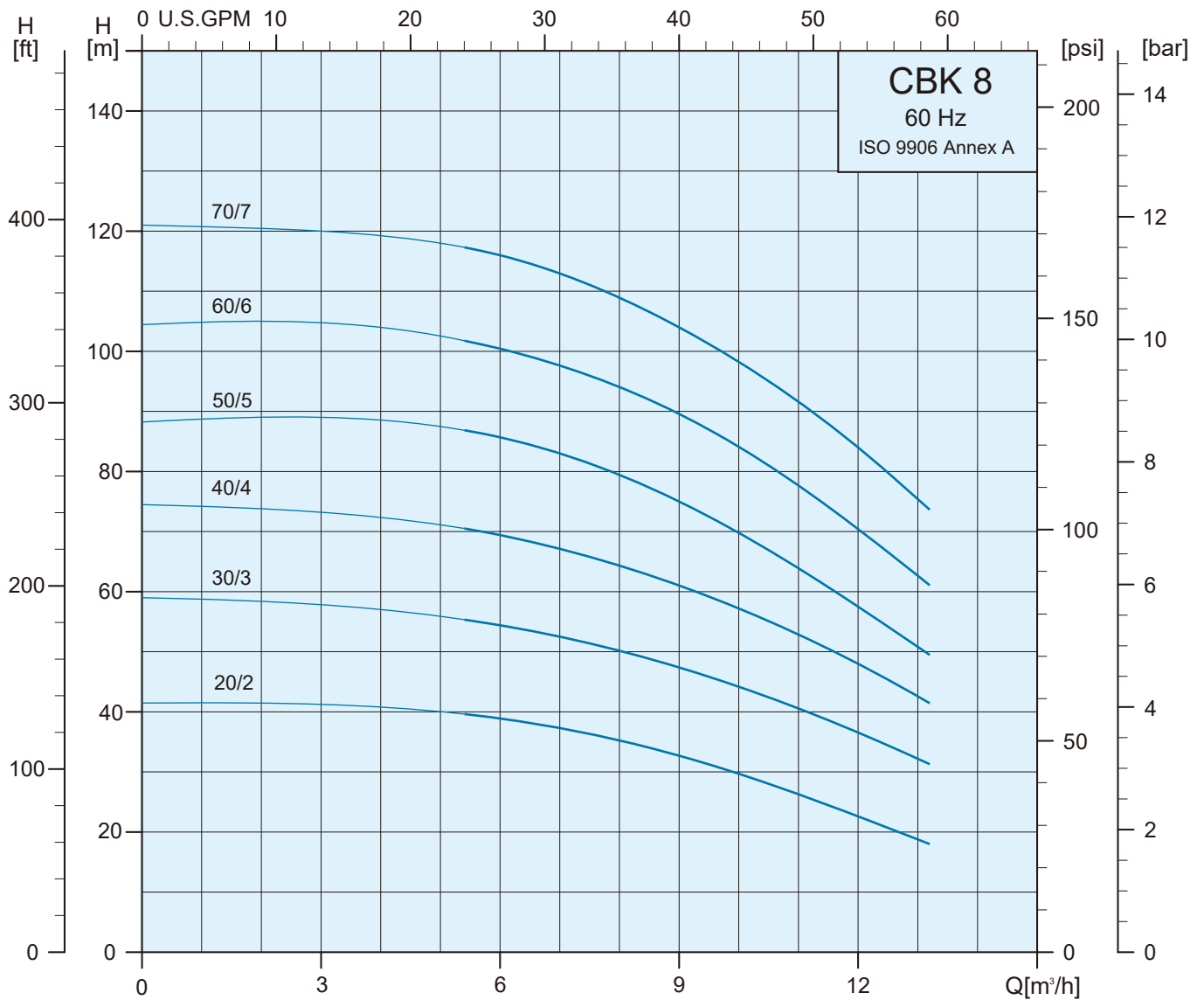
Dual Frequency		
Pump Type	Motor	Max.Amp [A]
	P ₁ [W]	3x220-255/380-440V
CBK 4-20/1	520	1.7-1.9 / 1.0-1.1
CBK 4-20/2	905	2.9-3.1 / 1.7-1.8
CBK 4-30/1	520	1.7-1.9 / 1.0-1.1
CBK 4-30/2	905	2.9-3.1 / 1.7-1.8
CBK 4-30/3	1330	4.2-4.3 / 2.4-2.5
CBK 4-40/1	520	1.7-1.9 / 1.0-1.1
CBK 4-40/2	905	2.9-3.1 / 1.7-1.8
CBK 4-40/3	1330	4.2-4.3 / 2.4-2.5
CBK 4-40/4	1650	5.0-5.2 / 2.9-3.0
CBK 4-50/1	520	1.7-1.9 / 1.0-1.1
CBK 4-50/2	905	2.9-3.1 / 1.7-1.8
CBK 4-50/3	1330	4.2-4.3 / 2.4-2.5
CBK 4-50/4	1650	5.0-5.2 / 2.9-3.0
CBK 4-50/5	1950	5.9-6.0 / 3.4-3.5
CBK 4-60/1	520	1.7-1.9 / 1.0-1.1
CBK 4-60/2	905	2.9-3.1 / 1.7-1.8
CBK 4-60/3	1330	4.2-4.3 / 2.4-2.5
CBK 4-60/4	1650	5.0-5.2 / 2.9-3.0
CBK 4-60/5	1950	5.9-6.0 / 3.4-3.5A
CBK 4-70/1	520	1.7-1.9 / 1.0-1.1
CBK 4-70/2	905	2.9-3.1 / 1.7-1.8
CBK 4-70/3	1330	4.2-4.3 / 2.4-2.5
CBK 4-70/4	1650	5.0-5.2 / 2.9-3.0
CBK 4-70/5	1950	5.9-6.0 / 3.4-3.5
CBK 4-80/1	520	1.7-1.9 / 1.0-1.1
CBK 4-80/2	905	2.9-3.1 / 1.7-1.8
CBK 4-80/3	1330	4.2-4.3 / 2.4-2.5
CBK 4-80/4	1650	5.0-5.2 / 2.9-3.0
CBK 4-80/5	1950	5.9-6.0 / 3.4-3.5

Dimensions and Weights

Dual Frequency			
Dimensions (mm)			Net Weight (kg)
A	B	C	
346	142	204	11.5
346	142	204	11.6
373	169	204	11.7
373	169	204	11.9
413	169	244	13.4
400	196	204	12.0
400	196	204	12.1
440	196	244	13.7
440	196	244	14.9
427	223	204	12.1
427	223	204	12.3
467	223	244	14.0
467	223	244	15.1
467	223	244	15.2
454	250	204	12.4
454	250	204	12.5
494	250	244	14.1
494	250	244	15.3
494	250	244	15.5
481	277	204	12.5
481	277	204	12.6
521	277	244	14.2
521	277	244	15.5
521	277	244	15.6
508	304	204	12.7
508	304	204	12.9
548	304	244	14.5
548	304	244	15.7
548	304	244	15.9



Performance Range



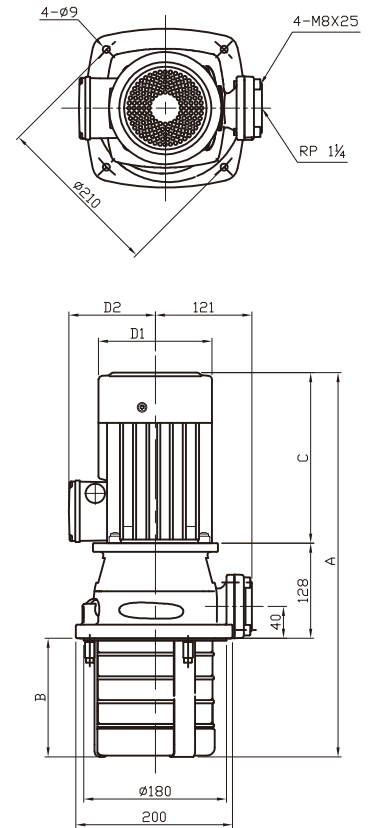
* — Dual Frequency

Specifications

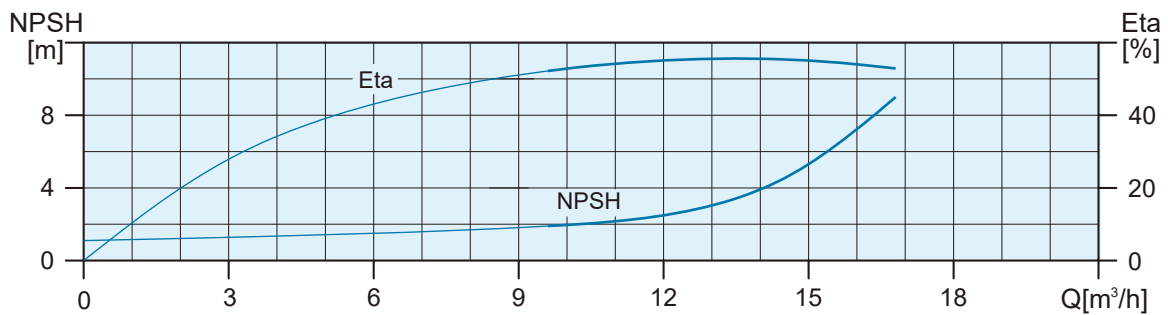
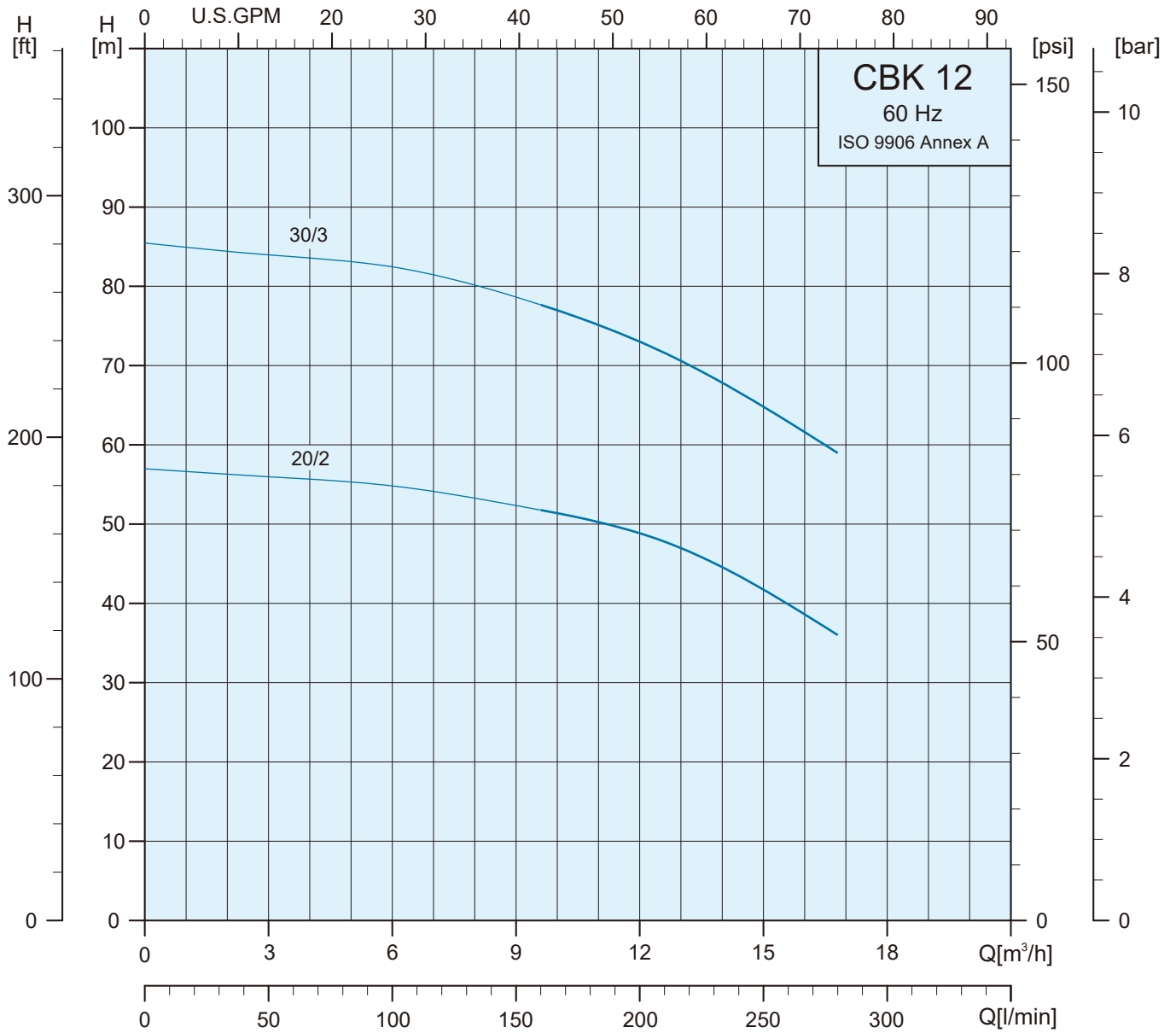
Dual Frequency		
Pump Type	Motor	Max.Amp [A]
	P ₁ [W]	3x220-255/380-440V
CBK 8-20/2	1724	5.3-5.0 / 3.1-2.9
CBK 8-30/2	1724	5.3-5.0 / 3.1-2.9
CBK 8-40/2	1724	5.3-5.0 / 3.1-2.9
CBK 8-50/2	1724	5.3-5.0 / 3.1-2.9
CBK 8-60/2	1724	5.3-5.0 / 3.1-2.9
CBK 8-70/2	1724	5.3-5.0 / 3.1-2.9
Dual Frequency		
Pump Type	Motor	Max.Amp [A]
	P ₁ [W]	3x220-277/380-480V
CBK 8-30/3	2648	7.3-7.0 / 4.2-4.1
CBK 8-40/3	2648	7.3-7.0 / 4.2-4.1
CBK 8-40/4	3352	9.2-9.1 / 5.3-5.2
CBK 8-50/3	2648	7.3-7.0 / 4.2-4.1
CBK 8-50/4	3352	9.2-9.1 / 5.3-5.2
CBK 8-50/5	4114	12.0-12.4 / 7.0-7.3
CBK 8-60/3	2648	7.3-7.0 / 4.2-4.1
CBK 8-60/4	3352	9.2-9.1 / 5.3-5.2
CBK 8-60/5	4114	12.0-12.4 / 7.0-7.3
CBK 8-60/6	4800	14.0-12.9 / 8.2-7.5
CBK 8-70/3	2648	7.3-7.0 / 4.2-4.1
CBK 8-70/4	3352	9.2-9.1 / 5.3-5.2
CBK 8-70/5	4114	12.0-12.4 / 7.0-7.3
CBK 8-70/6	4800	14.0-12.9 / 8.2-7.5
CBK 8-70/7	5448	15.6-14.6 / 9.1-8.5

Dimensions and Weights

Dual Frequency					
Dimensions (mm)					Net Weight (kg)
A	B	C	D1	D2	
423	60	235	141	115	19.3
453	90	235	141	115	19.4
483	120	235	141	115	20.1
513	150	235	141	115	20.5
543	180	235	141	115	20.8
573	210	235	141	115	21.6
Dual Frequency					
Dimensions (mm)					Net Weight (kg)
A	B	C	D1	D2	
509	90	291	177	141	28.5
539	120	291	177	141	28.9
539	120	291	177	141	31.3
569	150	291	177	141	29.2
569	150	291	177	141	31.7
594	150	316	197	147	37.7
599	180	291	177	141	29.6
599	180	291	177	141	32.0
624	180	316	197	147	37.4
634	180	326	220	161	43.9
629	210	291	177	141	29.9
629	210	291	177	141	32.4
654	210	316	197	147	37.7
664	210	326	220	161	44.3
664	210	326	220	161	44.7



Performance Range



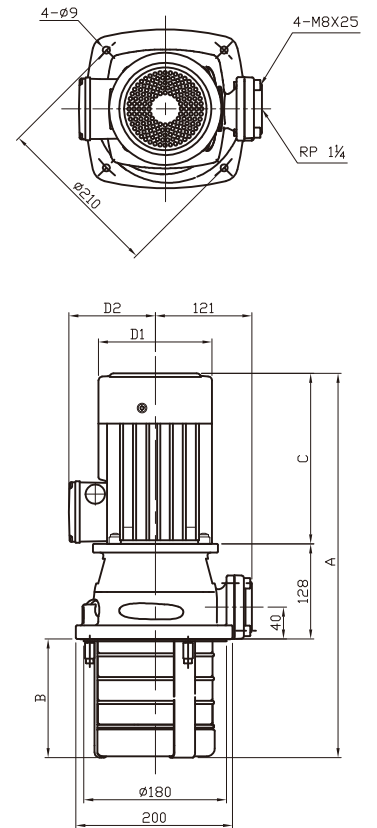
* — Dual Frequency

Specifications

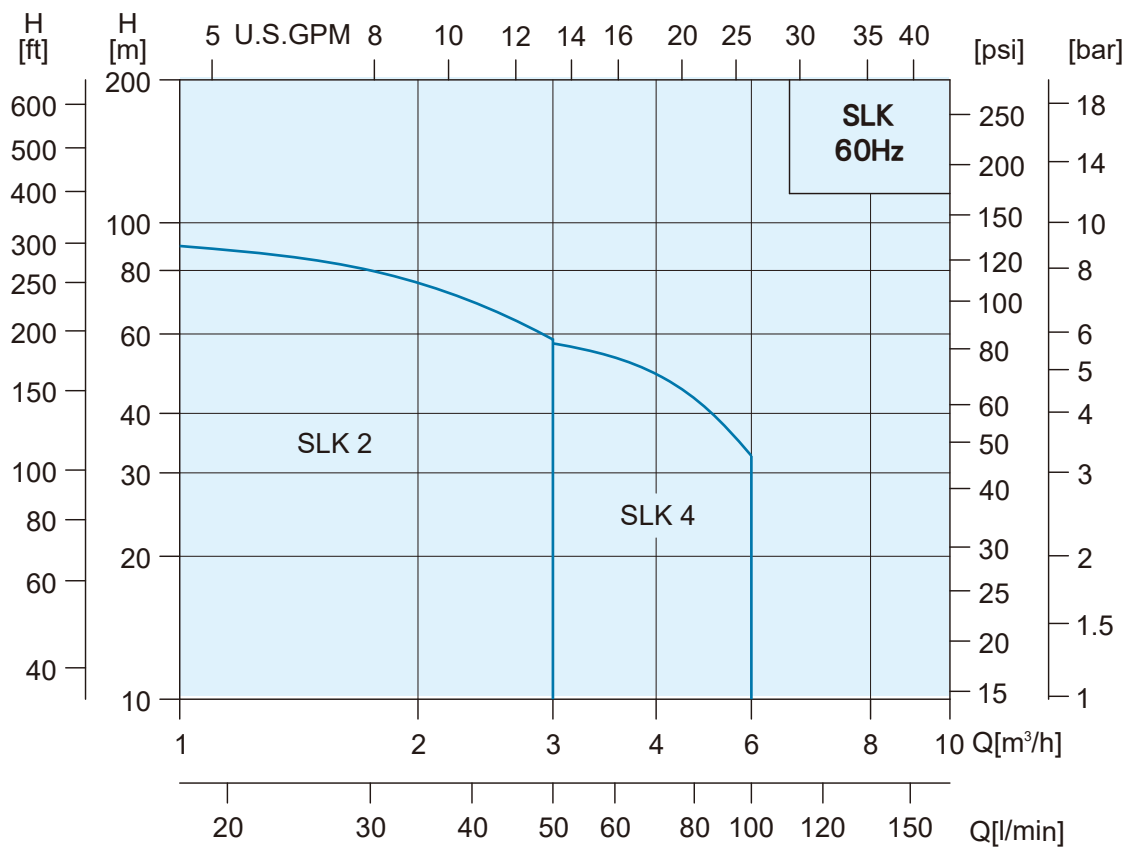
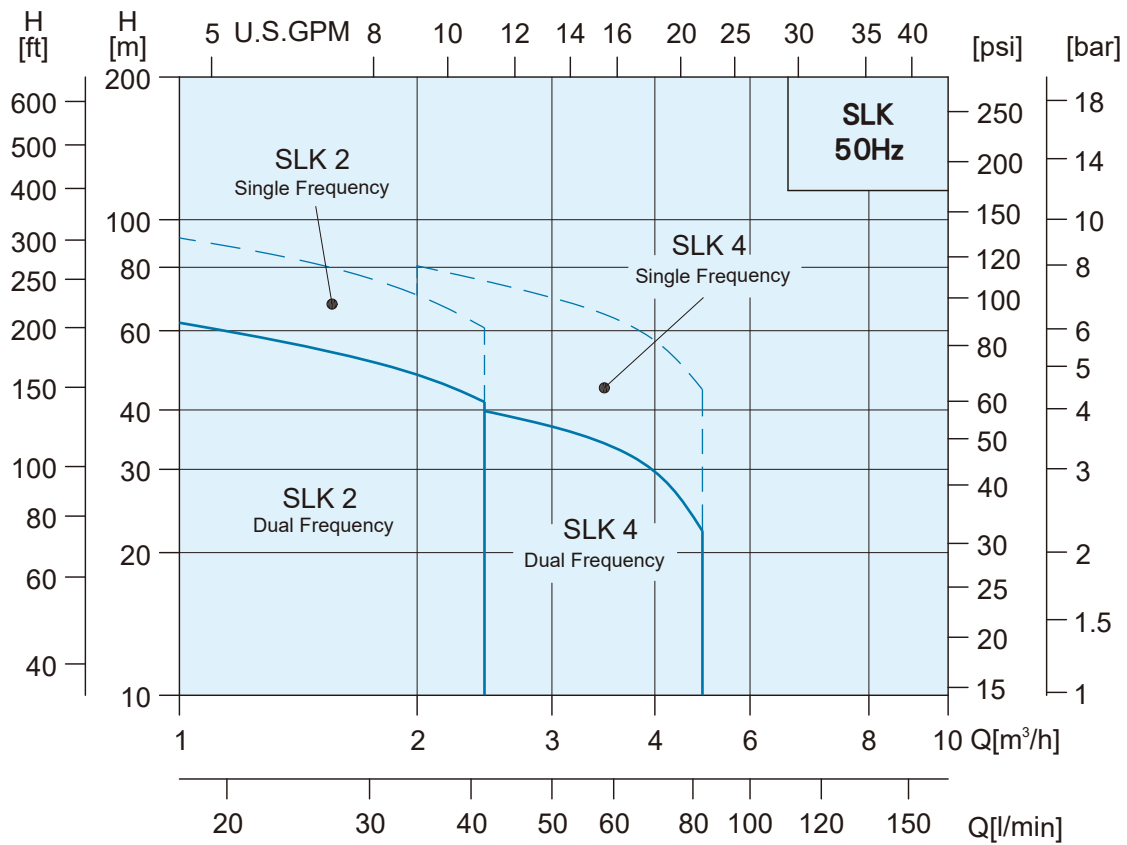
Dual Frequency		
Pump Type	Motor	Max.Amp [A]
	P ₁ [W]	3x220-277/380-480V
CBK 12-20/2	3867	11.3-11.6 / 6.6-6.8
CBK 12-30/2	3867	11.3-11.6 / 6.6-6.8
CBK 12-30/3	5619	15.6-14.2 / 9.0-8.3
CBK 12-40/2	3867	11.3-11.6 / 6.6-6.8
CBK 12-40/3	5619	15.6-14.2 / 9.0-8.3
CBK 12-50/2	3867	11.3-11.6 / 6.6-6.8
CBK 12-50/3	5619	15.6-14.2 / 9.0-8.3
CBK 12-60/2	3867	11.3-11.6 / 6.6-6.8
CBK 12-60/3	5619	15.6-14.2 / 9.0-8.3
CBK 12-70/2	3867	11.3-11.6 / 6.6-6.8
CBK 12-70/3	5619	15.6-14.2 / 9.0-8.3

Dimensions and Weights

Dual Frequency					
Dimensions (mm)					Net Weight (kg)
A	B	C	D1	D2	
504	60	316	197	147	34.8
534	90	316	197	147	35.2
544	90	326	220	161	41.7
564	120	316	197	147	35.5
574	120	326	220	161	42.1
594	150	316	197	147	35.9
604	150	326	220	161	42.4
624	180	316	197	147	36.2
634	180	326	220	161	42.8
654	210	316	197	147	36.6
664	210	326	220	161	43.1

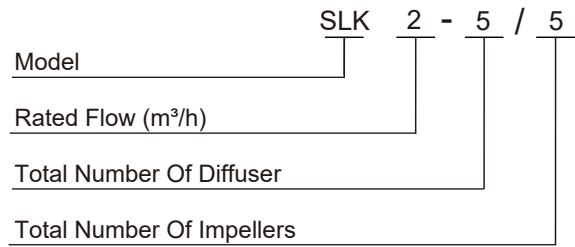


Performance Range





Model Code



Applications

- Cooling units
- Grinding machines
- Machine centers
- Filtering systems
- Industrial washing machines

Feature

- Compact design
- High Efficiency Reliability
- Easy installation
- Wide Range

Motor

- SLK is fitted with totally enclosed fan-cooled, 2-pole standard motor.
- Enclosure class :IP 55
- Insulation class :F
- Ambient temperature : Max. + 50°C
- Supply voltage 50 Hz : 3X220-240/380-415V
- Supply voltage 60 Hz : 3X220-255/380-440V

Pumped Liquids

Do not pump the explosive or aggressive liquids and the liquids should be free of fibers. The SLK pumps have the strainer in the suction chamber with inlet to prevent large particles from entering and damaging the pump.

Standard Voltages

	Phase	Voltages
50Hz	3Ø	3x220-240V/380-415V
60Hz	3Ø	3x220-255V/380-480V

Mechanical Seals

Standard Cartridge type mechanical seal made of Tungsten carbide/Tungsten carbide Viton.

The cartridge type mechanical seal can be replaced in minutes without special tools and without dismantling the pump.

HUUV Standard

Mechanical seal is available in different material per customer's demand.

List of Materials	
U : Tungsten carbide	V : Viton

Product Data

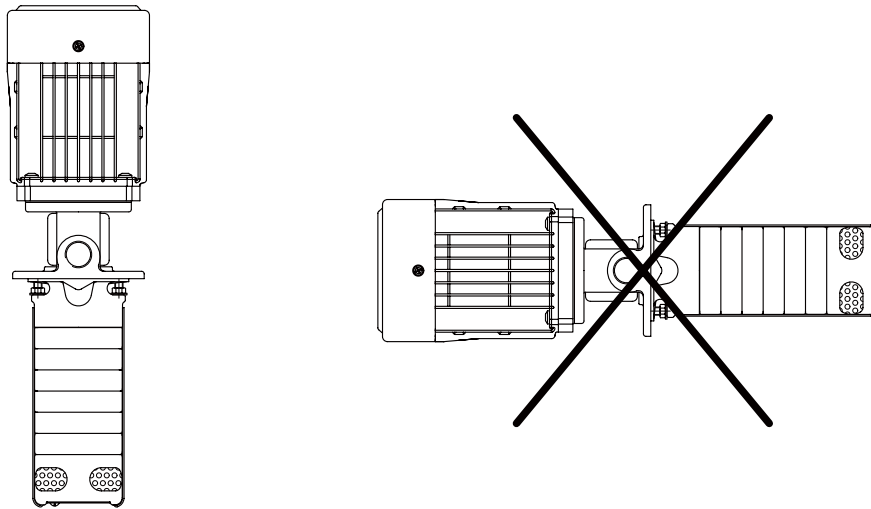
50Hz

Range	2	4
Rated Flow Rate(m³/h)	2.25	3.0
Flow Range (m³/h)	0.5~2.5	2.0~5.0
Maximum Head (bar)	10.7	9.2
Motor Power (kW)	0.37~1.1	0.37~1.1
Temperature Range (°C)	-10 to +90	
Pipe Connection		
Union	Rp 3/4	

60Hz

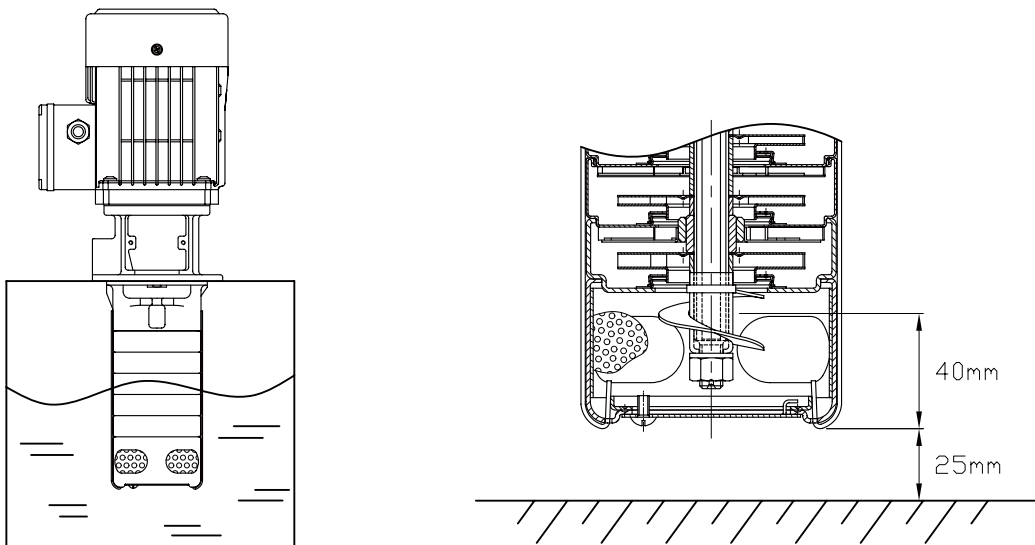
Range	2	4
Rated Flow Rate(m³/h)	2.75	4.0
Flow Range (m³/h)	0.6~3.0	2.0~6.0
Maximum Head (bar)	10.0	7.1
Motor Power (kW)	0.37~1.1	0.37~1.1
Temperature Range (°C)	-10 to +90	
Pipe Connection		
Union	Rp 3/4	

Installation



Note

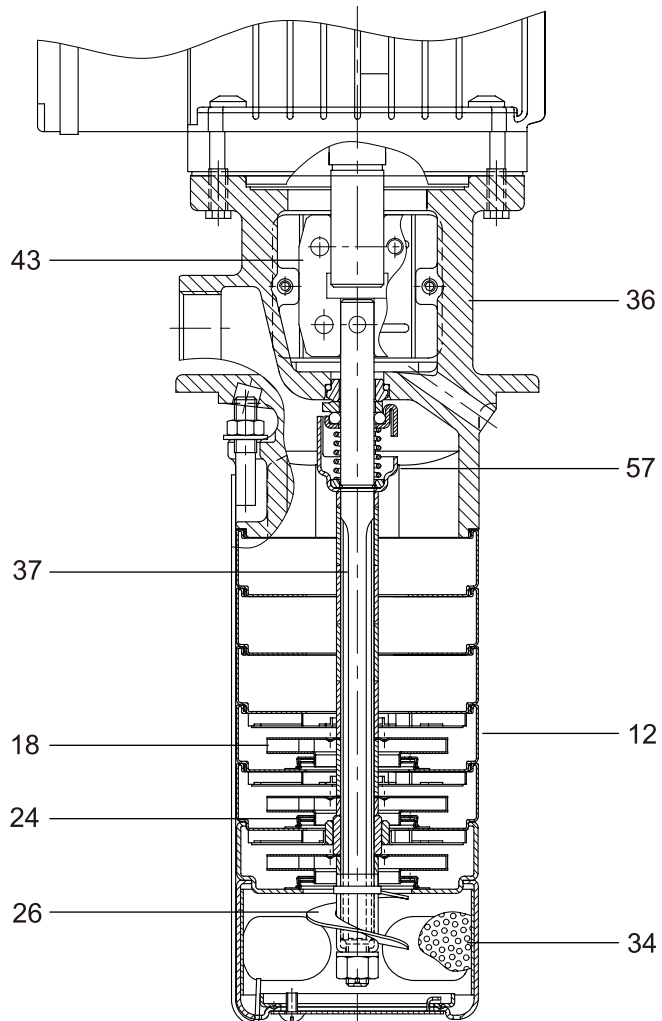
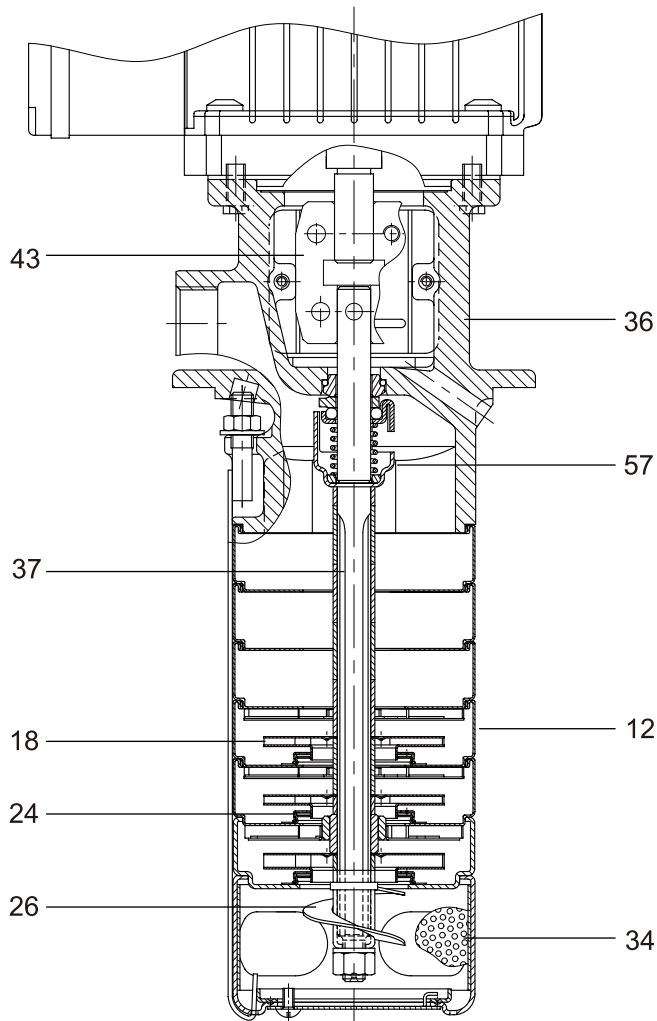
- > When you install the SLK 2,4 series pumps, you must follow the instruction as below.
- > The distance between the liquid level and the pump bottom (Minimum) : 40 (mm)
- > The distance between the pump and the tank bottom (Minimum) : 25mm



Materials

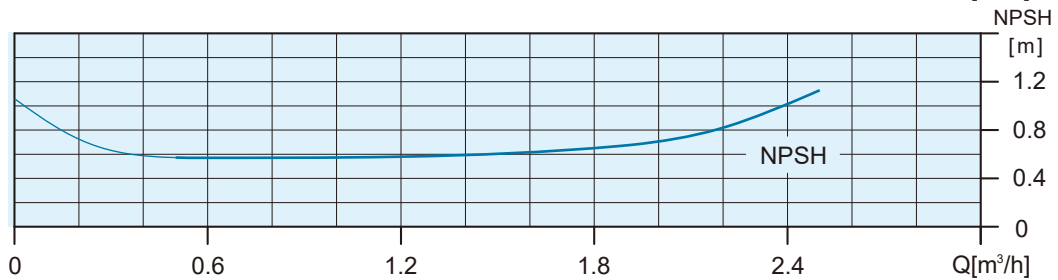
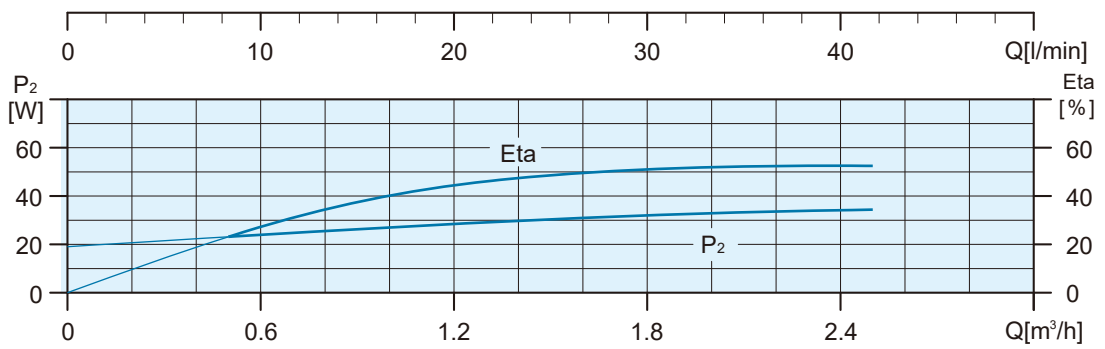
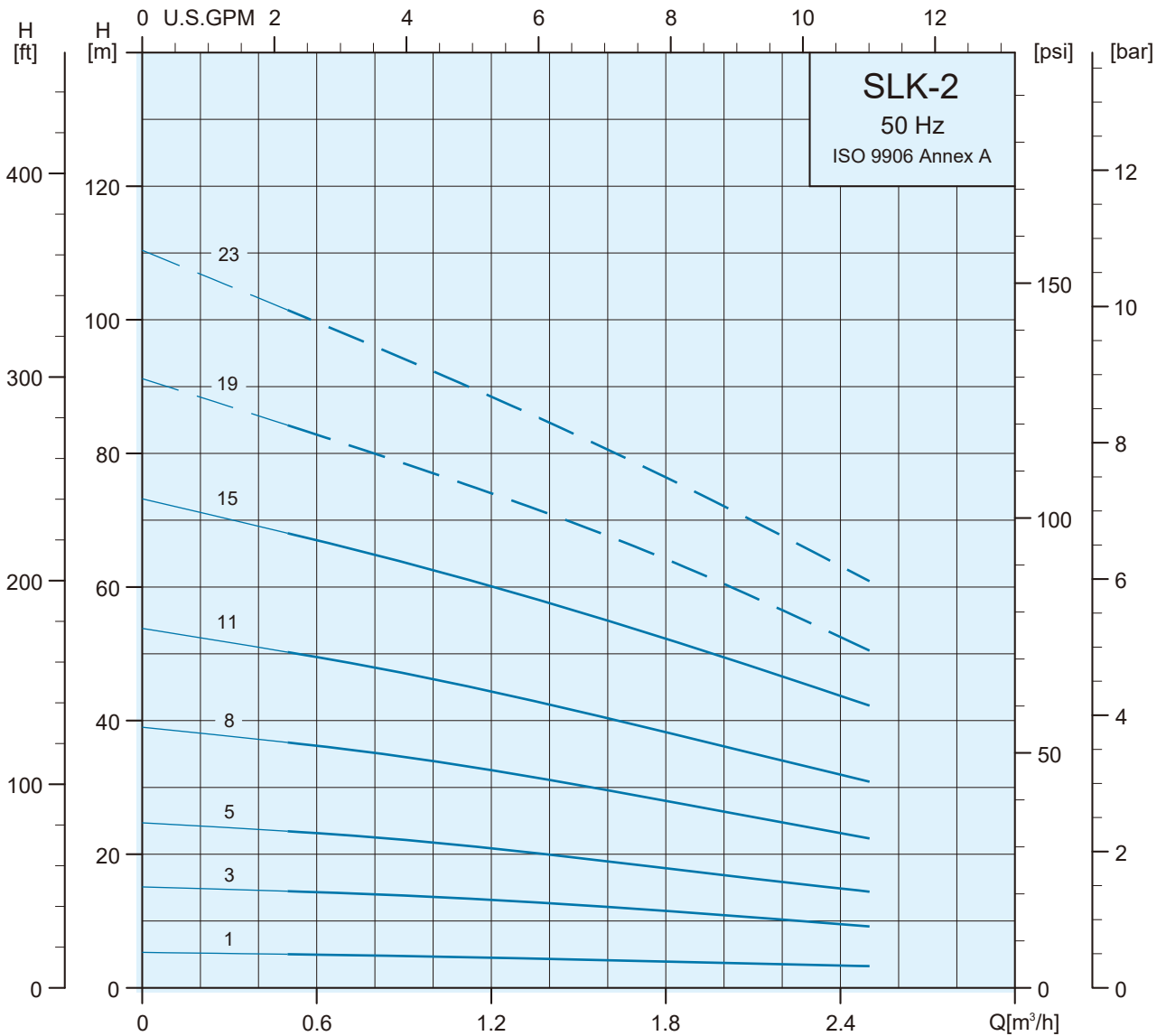
SLK 2

SLK 4



Pos.	Name	Material	Europe	AISI/ASTM
12	Chamber complete	Stainless steel	1.4301	AISI 304
18	Impeller	Stainless steel	1.4301	AISI 304
24	Neck ring	PTFE		
26	Priming screw	Stainless steel	1.4301	AISI 304
34	Strainer(internal)	Stainless steel	1.4301	AISI 304
36	Pump head	Cast Iron EN-GJL-200	0.6020	ASTM 25B
37	Pump shaft	Stainless steel	1.4057	AISI 431
43	Coupling			
57	Shaft seal	HUUV		

Performance Range



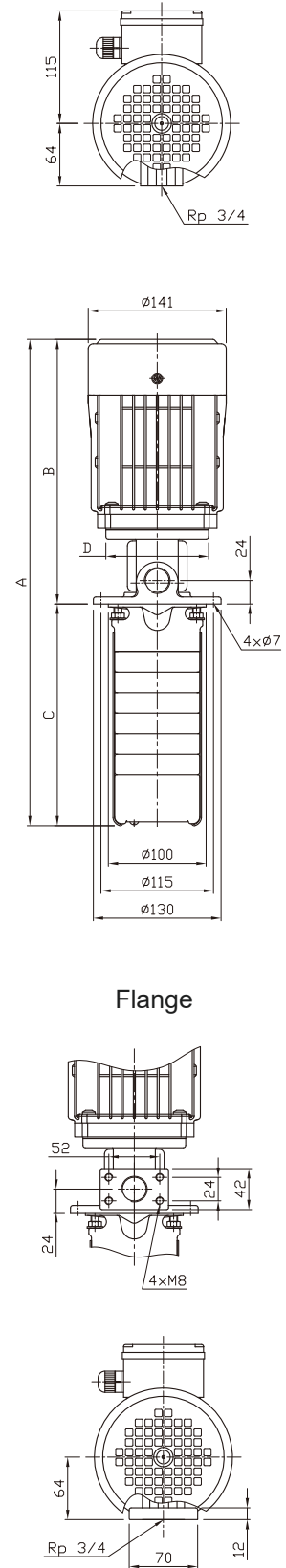
* - - - - Single Frequency
 ——— Dual Frequency

Specifications

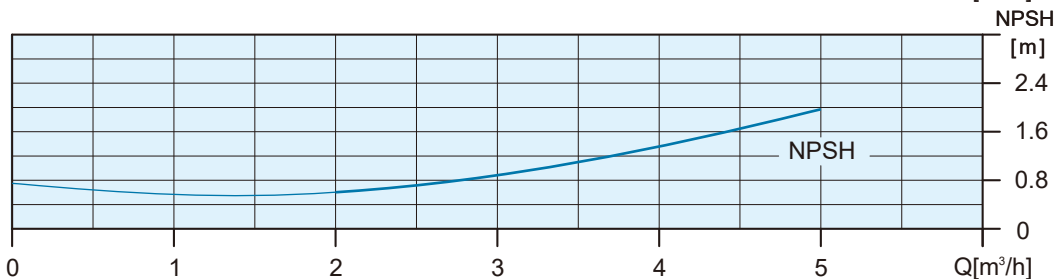
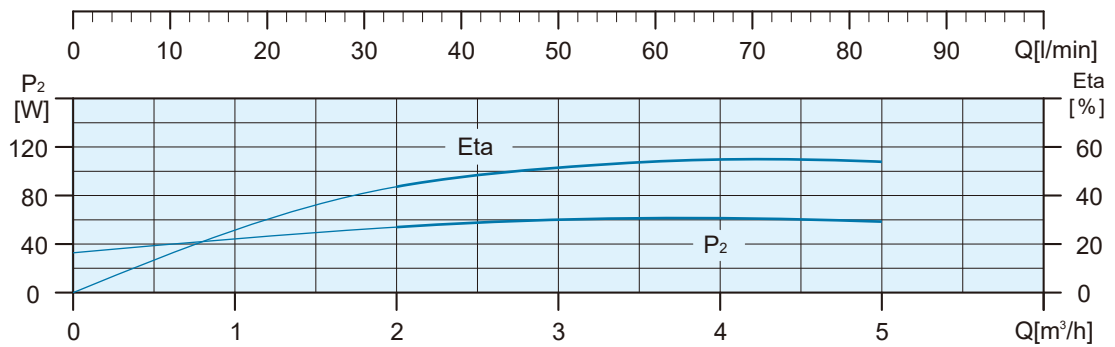
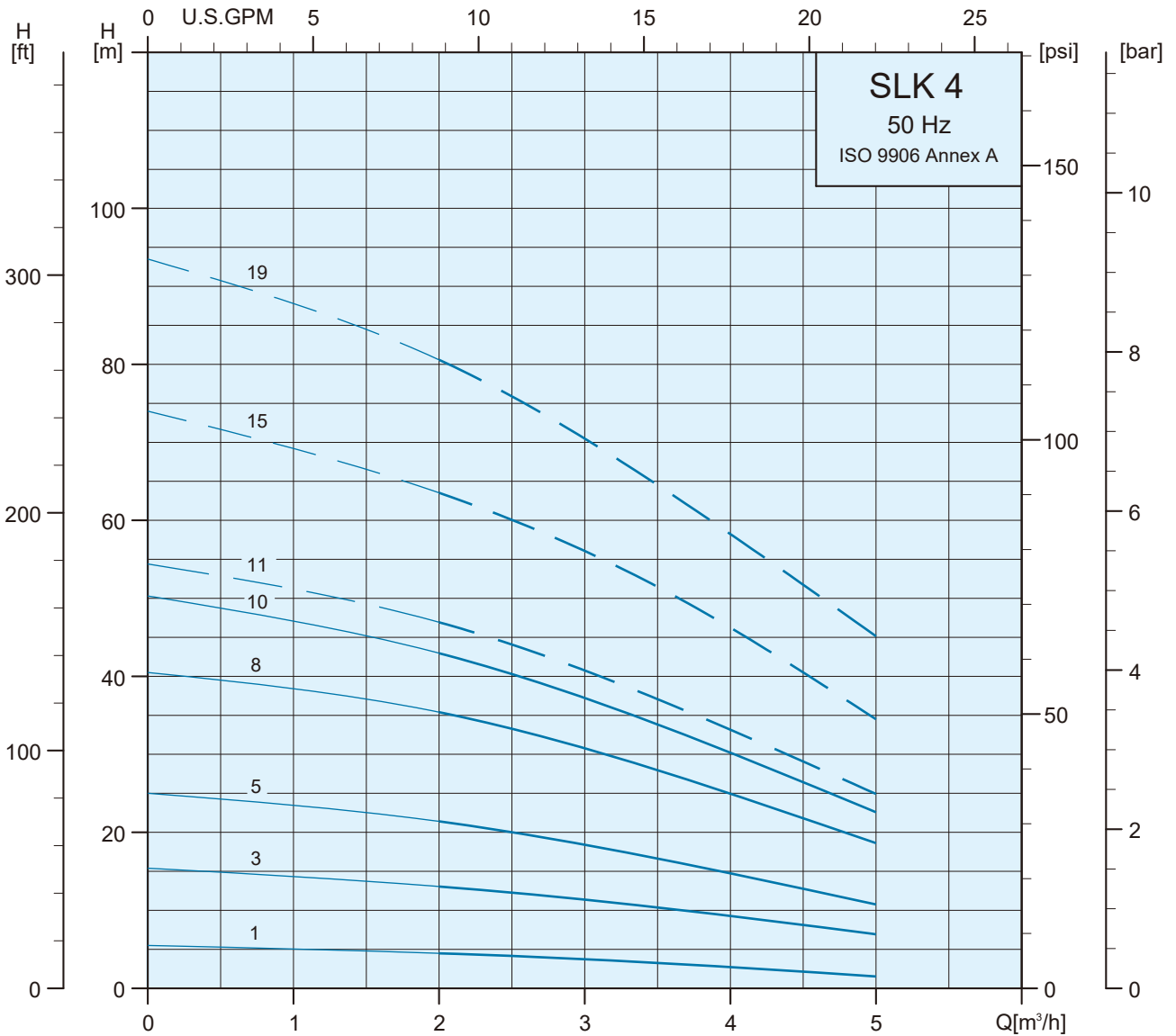
Dual Frequency			
Pump Type	P ₂		3x220-240V/380-415V
	kW	HP	Max.Amp [A]
SLK 2-1/1	0.37	0.5	1.7-1.9 / 1.0-1.1
SLK 2-3/1	0.37	0.5	1.7-1.9 / 1.0-1.1
SLK 2-3/3	0.37	0.5	1.7-1.9 / 1.0-1.1
SLK 2-5/1	0.37	0.5	1.7-1.9 / 1.0-1.1
SLK 2-5/3	0.37	0.5	1.7-1.9 / 1.0-1.1
SLK 2-5/5	0.37	0.5	1.7-1.9 / 1.0-1.1
SLK 2-8/1	0.37	0.5	1.7-1.9 / 1.0-1.1
SLK 2-8/3	0.37	0.5	1.7-1.9 / 1.0-1.1
SLK 2-8/5	0.37	0.5	1.7-1.9 / 1.0-1.1
SLK 2-8/8	0.55	0.75	2.6-2.9 / 1.5-1.7
SLK 2-11/1	0.37	0.5	1.7-1.9 / 1.0-1.1
SLK 2-11/3	0.37	0.5	1.7-1.9 / 1.0-1.1
SLK 2-11/5	0.37	0.5	1.7-1.9 / 1.0-1.1
SLK 2-11/8	0.55	0.75	2.6-2.9 / 1.5-1.7
SLK 2-11/11	0.75	1.0	3.4-3.4 / 2.0-2.0
SLK 2-15/1	0.37	0.5	1.7-1.9 / 1.0-1.1
SLK 2-15/3	0.37	0.5	1.7-1.9 / 1.0-1.1
SLK 2-15/5	0.37	0.5	1.7-1.9 / 1.0-1.1
SLK 2-15/8	0.55	0.75	2.6-2.9 / 1.5-1.7
SLK 2-15/11	0.75	1.0	3.4-3.4 / 2.0-2.0
SLK 2-15/15	1.1	1.5	4.8-5.0 / 2.8-2.9
SLK 2-19/1	0.37	0.5	1.7-1.9 / 1.0-1.1
SLK 2-19/3	0.37	0.5	1.7-1.9 / 1.0-1.1
SLK 2-19/5	0.37	0.5	1.7-1.9 / 1.0-1.1
SLK 2-19/8	0.55	0.75	2.6-2.9 / 1.5-1.7
SLK 2-19/11	0.75	1.0	3.4-3.4 / 2.0-2.0
SLK 2-19/15	1.1	1.5	4.8-5.0 / 2.8-2.9
SLK 2-23/1	0.37	0.5	1.7-1.9 / 1.0-1.1
SLK 2-23/3	0.37	0.5	1.7-1.9 / 1.0-1.1
SLK 2-23/5	0.37	0.5	1.7-1.9 / 1.0-1.1
SLK 2-23/8	0.55	0.75	2.6-2.9 / 1.5-1.7
SLK 2-23/11	0.75	1.0	3.4-3.4 / 2.0-2.0
SLK 2-23/15	1.1	1.5	4.8-5.0 / 2.8-2.9
Single Frequency			
Pump Type	P ₂		3x220-240/380-415V
	kW	HP	Max.Amp [A]
SLK 2-19/19	0.75	1.0	3.4-3.4 / 2.0-2.0
SLK 2-23/19	0.75	1.0	3.4-3.4 / 2.0-2.0
SLK 2-23/23	0.75	1.0	3.4-3.4 / 2.0-2.0

Dimensions and Weights

Dual Frequency				
Dimensions(mm)				Net Weight (kg)
A	B	C	D	
413	270	143	105	9.4
455	270	185	105	9.6
455	270	185	105	9.8
497	270	227	105	9.9
497	270	227	105	10.1
497	270	227	105	10.2
560	270	290	105	10.2
560	270	290	105	10.4
560	270	290	105	10.6
560	270	290	105	11.3
623	270	353	105	10.5
623	270	353	105	10.7
623	270	353	105	10.8
623	270	353	105	11.6
666	313	353	120	13.8
707	270	437	105	10.9
707	270	437	105	11.1
707	270	437	105	11.3
707	270	437	105	12.1
750	313	437	120	14.2
750	313	437	120	15.7
791	270	521	105	11.2
791	270	521	105	11.3
791	270	521	105	11.5
791	270	521	105	12.3
834	313	521	120	14.4
834	313	521	120	15.9
875	270	605	105	11.9
875	270	605	105	12.1
875	270	605	105	12.3
875	270	605	105	13.1
918	313	605	120	15.2
918	313	605	120	16.7
Single Frequency				
Dimensions(mm)				Net Weight (kg)
A	B	C	D	
834	313	521	120	15.2
818	313	605	120	15.6
918	313	605	120	16.0



Performance Range



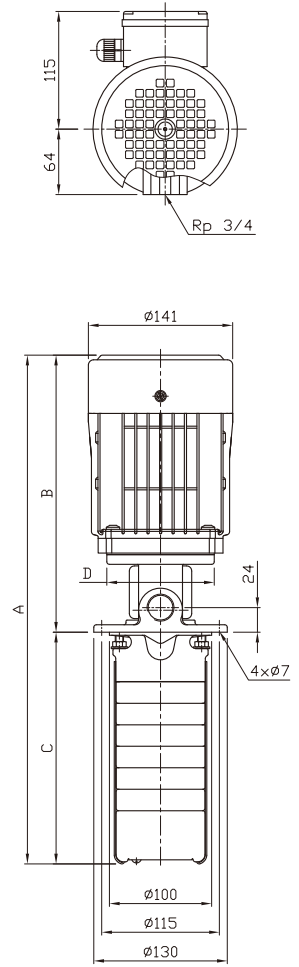
* - - - - Single Frequency
— Dual Frequency

Specifications

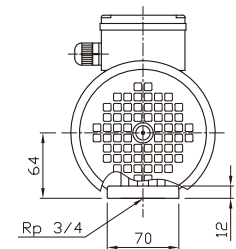
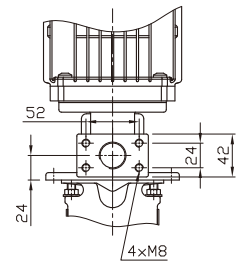
Dual Frequency			
Pump Type	P ₂		3x220-240V/380-415V
	kW	HP	Max.Amp [A]
SLK 4-1/1	0.37	0.5	1.7-1.9 / 1.0-1.1
SLK 4-3/1	0.37	0.5	1.7-1.9 / 1.0-1.1
SLK 4-3/3	0.37	0.5	1.7-1.9 / 1.0-1.1
SLK 4-5/1	0.37	0.5	1.7-1.9 / 1.0-1.1
SLK 4-5/3	0.37	0.5	1.7-1.9 / 1.0-1.1
SLK 4-5/5	0.55	0.75	2.6-2.9 / 1.5-1.7
SLK 4-8/1	0.37	0.5	1.7-1.9 / 1.0-1.1
SLK 4-8/3	0.37	0.5	1.7-1.9 / 1.0-1.1
SLK 4-8/5	0.55	0.75	2.6-2.9 / 1.5-1.7
SLK 4-8/8	1.1	1.5	4.8-5.0 / 2.8-2.9
SLK 4-11/1	0.37	0.5	1.7-1.9 / 1.0-1.1
SLK 4-11/3	0.37	0.5	1.7-1.9 / 1.0-1.1
SLK 4-11/5	0.55	0.75	2.6-2.9 / 1.5-1.7
SLK 4-11/8	1.1	1.5	4.8-5.0 / 2.8-2.9
SLK 4-11/10	1.1	1.5	4.8-5.0 / 2.8-2.9
SLK 4-15/1	0.37	0.5	1.7-1.9 / 1.0-1.1
SLK 4-15/3	0.37	0.5	1.7-1.9 / 1.0-1.1
SLK 4-15/5	0.55	0.75	2.6-2.9 / 1.5-1.7
SLK 4-15/8	1.1	1.5	4.8-5.0 / 2.8-2.9
SLK 4-15/10	1.1	1.5	4.8-5.0 / 2.8-2.9
SLK 4-19/1	0.37	0.5	1.7-1.9 / 1.0-1.1
SLK 4-19/3	0.37	0.5	1.7-1.9 / 1.0-1.1
SLK 4-19/5	0.55	0.75	2.6-2.9 / 1.5-1.7
SLK 4-19/8	1.1	1.5	4.8-5.0 / 2.8-2.9
SLK 4-19/10	1.1	1.5	4.8-5.0 / 2.8-2.9
Single Frequency			
Pump Type	P ₂		3x220-240V/380-415V
	kW	HP	Max.Amp [A]
SLK 4-11/11	0.75	1.0	3.4-3.4 / 2.0-2.0
SLK 4-15/11	0.75	1.0	3.4-3.4 / 2.0-2.0
SLK 4-15/15	1.1	1.5	4.8-5.0 / 2.8-2.9
SLK 4-19/11	0.75	1.0	3.4-3.4 / 2.0-2.0
SLK 4-19/15	1.1	1.5	4.8-5.0 / 2.8-2.9
SLK 4-19/19	1.1	1.5	4.8-5.0 / 2.8-2.9

Dimensions and Weights

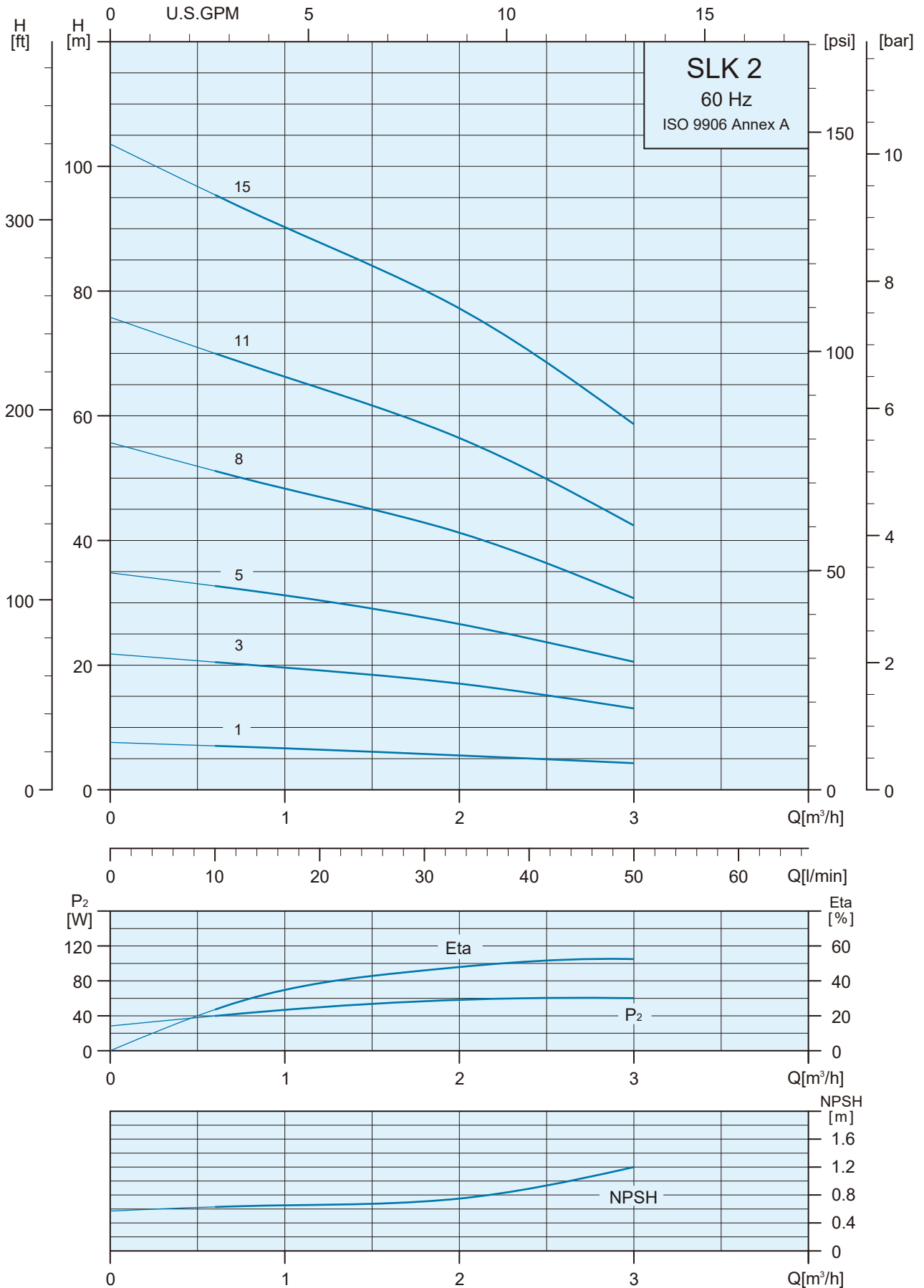
Dual Frequency				
Dimensions(mm)				Net Weight (kg)
A	B	C	D	
413	270	143	105	9.4
455	270	185	105	9.6
455	270	185	105	9.8
497	270	227	105	9.9
497	270	227	105	10.0
497	270	227	105	10.7
560	270	290	105	10.1
560	270	290	105	10.3
560	270	290	105	10.9
603	313	290	120	14.2
623	270	353	105	10.4
623	270	353	105	10.6
623	270	353	105	11.3
666	313	353	120	14.5
666	313	353	120	14.7
707	270	437	105	10.9
707	270	437	105	11.0
707	270	437	105	11.7
750	313	437	120	15.0
750	313	437	120	15.2
791	270	521	105	11.2
791	270	521	105	11.4
791	270	521	105	12.1
834	313	521	120	15.4
834	313	521	120	15.6
Single Frequency				
Dimensions(mm)				Net Weight (kg)
A	B	C	D	
666	313	353	120	13.7
750	313	437	120	14.1
750	313	437	120	15.6
834	313	521	120	14.5
834	313	521	120	16.0
834	313	521	120	16.4



Flange



Performance Range

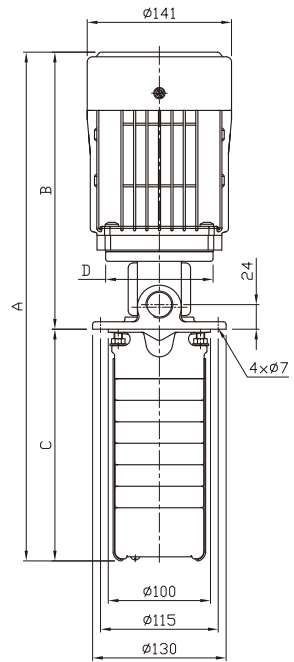
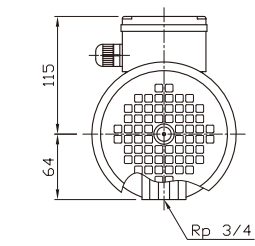


Specifications

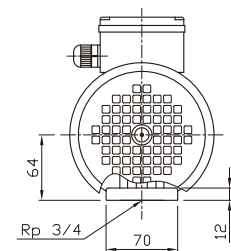
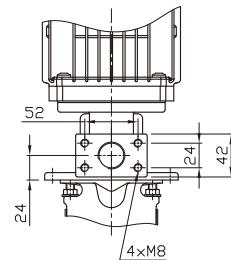
Dual Frequency			
Pump Type	P ₂		3x220-255V/380-440V
	kW	HP	Max.Amp [A]
SLK 2-1/1	0.37	0.5	1.7-1.7 / 1.0-1.0
SLK 2-3/1	0.37	0.5	1.7-1.7 / 1.0-1.0
SLK 2-3/3	0.37	0.5	1.7-1.7 / 1.0-1.0
SLK 2-5/1	0.37	0.5	1.7-1.7 / 1.0-1.0
SLK 2-5/3	0.37	0.5	1.7-1.7 / 1.0-1.0
SLK 2-5/5	0.37	0.5	1.7-1.7 / 1.0-1.0
SLK 2-8/1	0.37	0.5	1.7-1.7 / 1.0-1.0
SLK 2-8/3	0.37	0.5	1.7-1.7 / 1.0-1.0
SLK 2-8/5	0.37	0.5	1.7-1.7 / 1.0-1.0
SLK 2-8/8	0.55	0.75	2.4-2.4 / 1.4-1.4
SLK 2-11/1	0.37	0.5	1.7-1.7 / 1.0-1.0
SLK 2-11/3	0.37	0.5	1.7-1.7 / 1.0-1.0
SLK 2-11/5	0.37	0.5	1.7-1.7 / 1.0-1.0
SLK 2-11/8	0.55	0.75	2.4-2.4 / 1.4-1.4
SLK 2-11/11	0.75	1.0	3.1-3.1 / 1.8-1.8
SLK 2-15/1	0.37	0.5	1.7-1.7 / 1.0-1.0
SLK 2-15/3	0.37	0.5	1.7-1.7 / 1.0-1.0
SLK 2-15/5	0.37	0.5	1.7-1.7 / 1.0-1.0
SLK 2-15/8	0.55	0.75	2.4-2.4 / 1.4-1.4
SLK 2-15/11	0.75	1.0	3.1-3.1 / 1.8-1.8
SLK 2-15/15	1.1	1.5	4.5-4.2 / 2.6-2.4
SLK 2-19/1	0.37	0.5	1.7-1.7 / 1.0-1.0
SLK 2-19/3	0.37	0.5	1.7-1.7 / 1.0-1.0
SLK 2-19/5	0.37	0.5	1.7-1.7 / 1.0-1.0
SLK 2-19/8	0.55	0.75	2.4-2.4 / 1.4-1.4
SLK 2-19/11	0.75	1.0	3.1-3.1 / 1.8-1.8
SLK 2-19/15	1.1	1.5	4.5-4.2 / 2.6-2.4
SLK 2-23/1	0.37	0.5	1.7-1.7 / 1.0-1.0
SLK 2-23/3	0.37	0.5	1.7-1.7 / 1.0-1.0
SLK 2-23/5	0.37	0.5	1.7-1.7 / 1.0-1.0
SLK 2-23/8	0.55	0.75	2.4-2.4 / 1.4-1.4
SLK 2-23/11	0.75	1.0	3.1-3.1 / 1.8-1.8
SLK 2-23/15	1.1	1.5	4.5-4.2 / 2.6-2.4

Dimensions and Weights

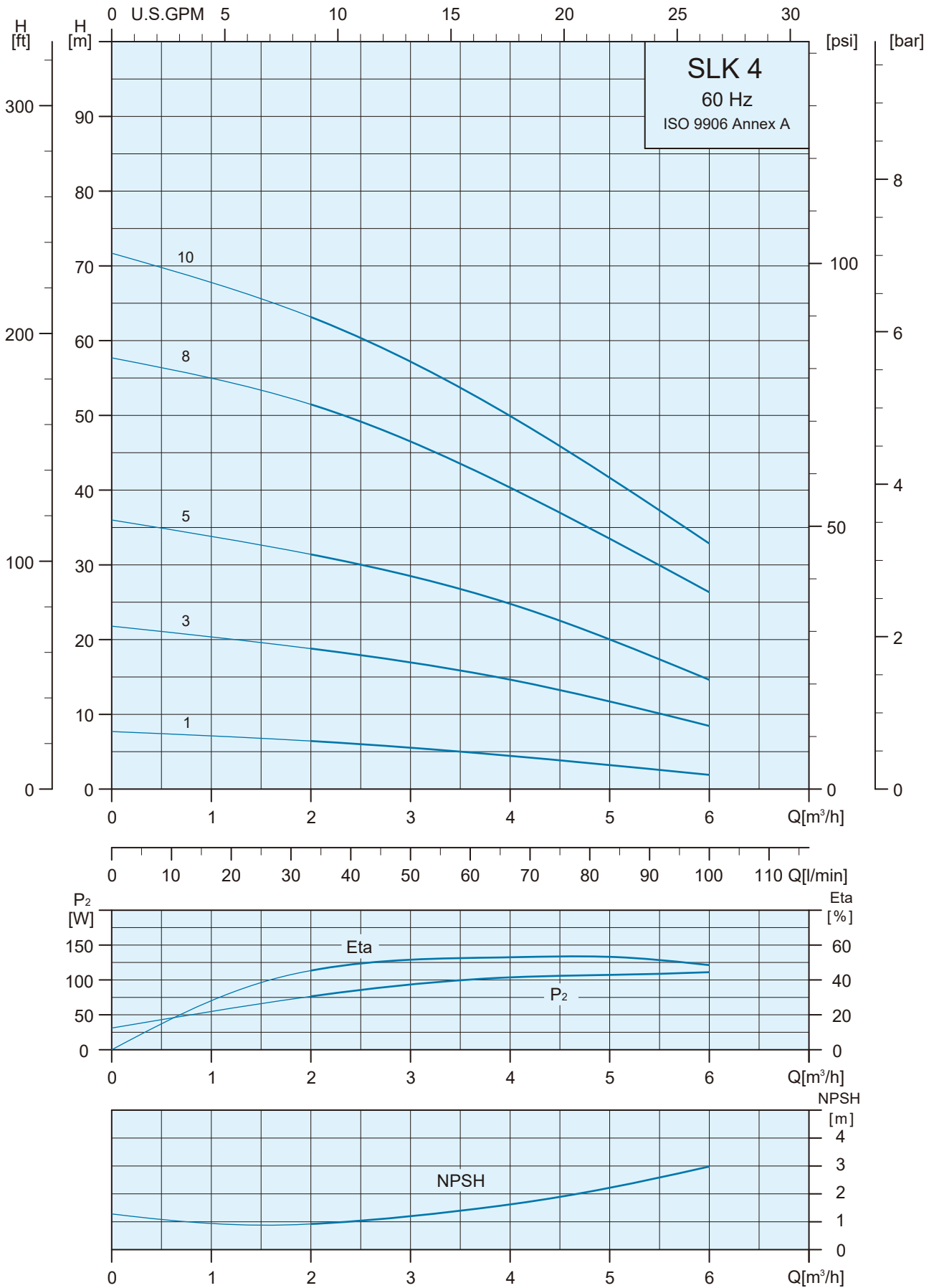
Dual Frequency				
Dimensions(mm)				Net Weight (kg)
A	B	C	D	
413	270	143	105	9.4
455	270	185	105	9.6
455	270	185	105	9.8
497	270	227	105	9.9
497	270	227	105	10.1
497	270	227	105	10.2
560	270	290	105	10.2
560	270	290	105	10.4
560	270	290	105	10.6
560	270	290	105	11.3
623	270	353	105	10.5
623	270	353	105	10.7
623	270	353	105	10.8
623	270	353	105	11.6
666	313	353	120	13.8
707	270	437	105	10.9
707	270	437	105	11.1
707	270	437	105	11.3
707	270	437	105	12.1
750	313	437	120	14.2
750	313	437	120	15.7
791	270	521	105	11.2
791	270	521	105	11.3
791	270	521	105	11.5
791	270	521	105	12.3
834	313	521	120	14.4
834	313	521	120	15.9
875	270	605	105	11.9
875	270	605	105	12.1
875	270	605	105	12.3
875	270	605	105	13.1
918	313	605	120	15.2
918	313	605	120	16.7



Flange



Performance Range

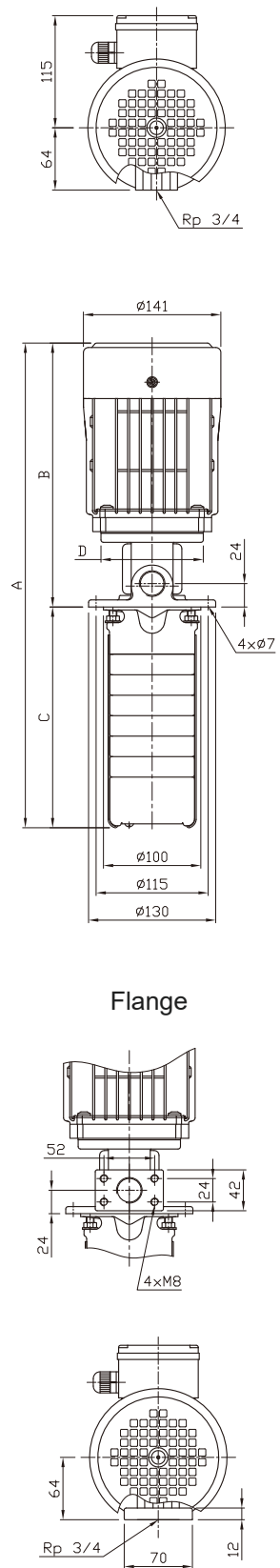


Specifications

Dual Frequency			
Pump Type	P ₂		3x220-255V/380-440V
	kW	HP	Max.Amp [A]
SLK 4-1/1	0.37	0.5	1.7-1.7 / 1.0-1.0
SLK 4-3/1	0.37	0.5	1.7-1.7 / 1.0-1.0
SLK 4-3/3	0.37	0.5	1.7-1.7 / 1.0-1.0
SLK 4-5/1	0.37	0.5	1.7-1.7 / 1.0-1.0
SLK 4-5/3	0.37	0.5	1.7-1.7 / 1.0-1.0
SLK 4-5/5	0.55	0.75	2.4-2.4 / 1.4-1.4
SLK 4-8/1	0.37	0.5	1.7-1.7 / 1.0-1.0
SLK 4-8/3	0.37	0.5	1.7-1.7 / 1.0-1.0
SLK 4-8/5	0.55	0.75	2.4-2.4 / 1.4-1.4
SLK 4-8/8	1.1	1.5	4.5-4.2 / 2.6-2.4
SLK 4-11/1	0.37	0.5	1.7-1.7 / 1.0-1.0
SLK 4-11/3	0.37	0.5	1.7-1.7 / 1.0-1.0
SLK 4-11/5	0.55	0.75	2.4-2.4 / 1.4-1.4
SLK 4-11/8	1.1	1.5	4.5-4.2 / 2.6-2.4
SLK 4-11/10	1.1	1.5	4.5-4.2 / 2.6-2.4
SLK 4-15/1	0.37	0.5	1.7-1.7 / 1.0-1.0
SLK 4-15/3	0.37	0.5	1.7-1.7 / 1.0-1.0
SLK 4-15/5	0.55	0.75	2.4-2.4 / 1.4-1.4
SLK 4-15/8	1.1	1.5	4.5-4.2 / 2.6-2.4
SLK 4-15/10	1.1	1.5	4.5-4.2 / 2.6-2.4
SLK 4-19/1	0.37	0.5	1.7-1.7 / 1.0-1.0
SLK 4-19/3	0.37	0.5	1.7-1.7 / 1.0-1.0
SLK 4-19/5	0.55	0.75	2.4-2.4 / 1.4-1.4
SLK 4-19/8	1.1	1.5	4.5-4.2 / 2.6-2.4
SLK 4-19/10	1.1	1.5	4.5-4.2 / 2.6-2.4

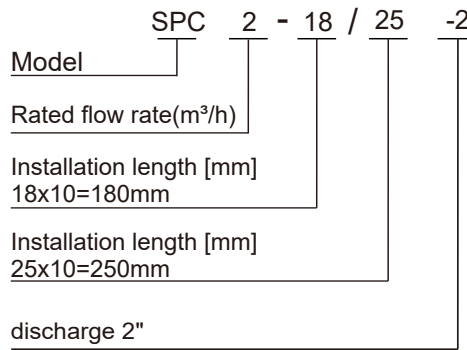
Dimensions and Weights

Dual Frequency				
Dimensions(mm)				Net Weight (kg)
A	B	C	D	
413	270	143	105	9.4
455	270	185	105	9.6
455	270	185	105	9.8
497	270	227	105	9.9
497	270	227	105	10.0
497	270	227	105	10.7
560	270	290	105	10.1
560	270	290	105	10.3
560	270	290	105	10.9
603	313	290	120	14.2
623	270	353	105	10.4
623	270	353	105	10.6
623	270	353	105	11.3
666	313	353	120	14.5
666	313	353	120	14.7
707	270	437	105	10.9
707	270	437	105	11.0
707	270	437	105	11.7
750	313	437	120	15.0
750	313	437	120	15.2
791	270	521	105	11.2
791	270	521	105	11.4
791	270	521	105	12.1
834	313	521	120	15.4
834	313	521	120	15.6





Model Code



Applications

The SPC coolant pump is co-axial pump/motor design to processing-material cooling device such as milling, drilling, cutting, grinding these widely machine tools, it is suitable to deliver coolant, light oil and all kind non-aggressive liquids.

Motor

Frequency: 50 / 60 Hz
 Insulation Class: F class
 Enclosure Protection Class: IP 54
 Nominal Speed: 2900 / 3500 RPM
 Standard Voltages:
 50Hz : 3Ø 220-240V / 380-415V
 60Hz : 3Ø 220-255V / 380-440V

Pump

The pump is one-chamber vertical centrifugal pump, co-axial pump/ motor design, impellers mounted on extended motor shaft.

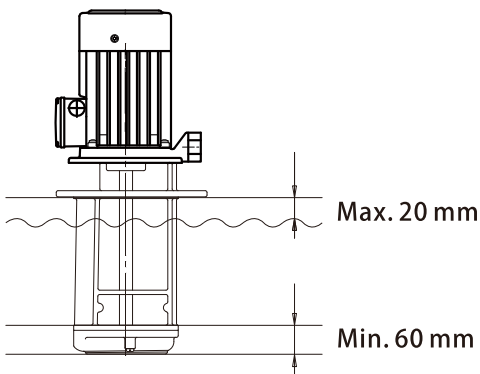
Power

50Hz: 170W~770W
 60Hz: 305W~1160W
 50Hz: Head Up to 12M
 Flow Up to 245 L/min
 60Hz: Head Up to 16.5M
 Flow Up to 290 L/min
 Outlet: 1/2" ~ 1"

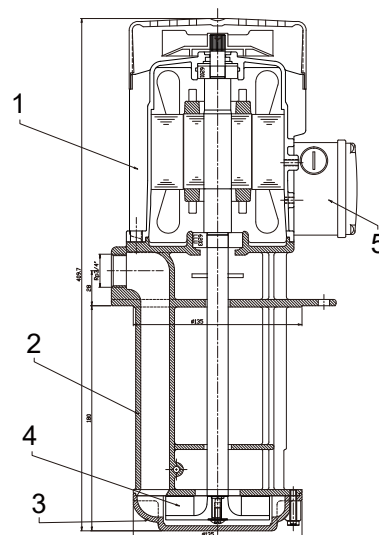
Operation Conditions

Liquid Temperature Range: +0°C ~ +90°C
 Ambient Temperature: Max. +40°C
 Operating Pressure: Max. 10kg/cm²
 Liquid viscosity: 1~32 cSt

Installation

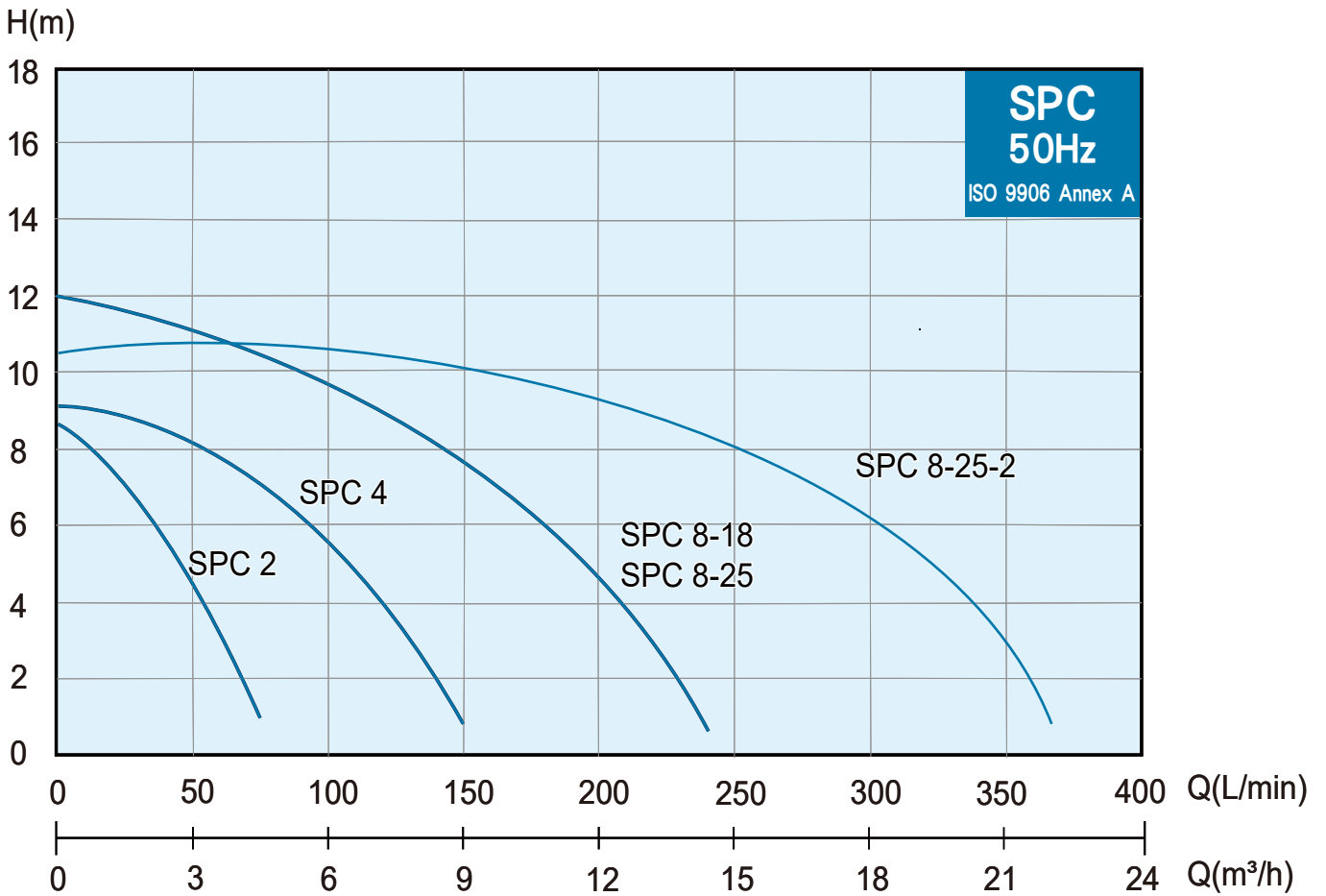


Material



No.	Component	Material
1	Motor	ADC12
2	Pump	FC20
3	Pump cover	FC20
4	Impeller	NYLON
5	Wiring box	ABS

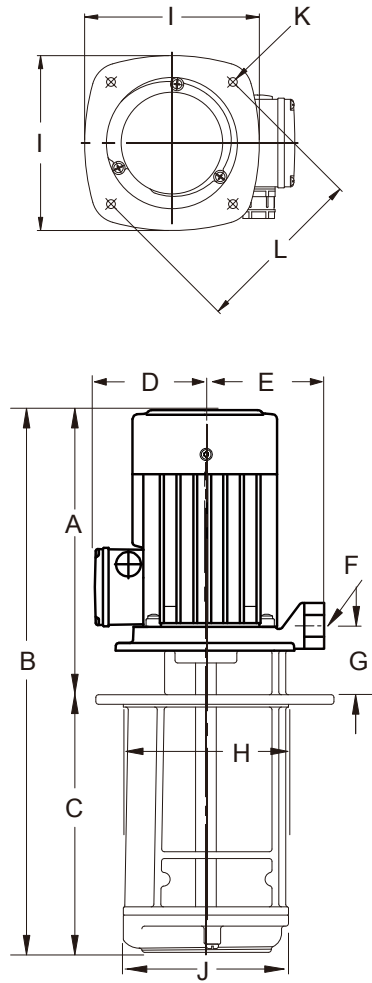
Performance Range



Specifications

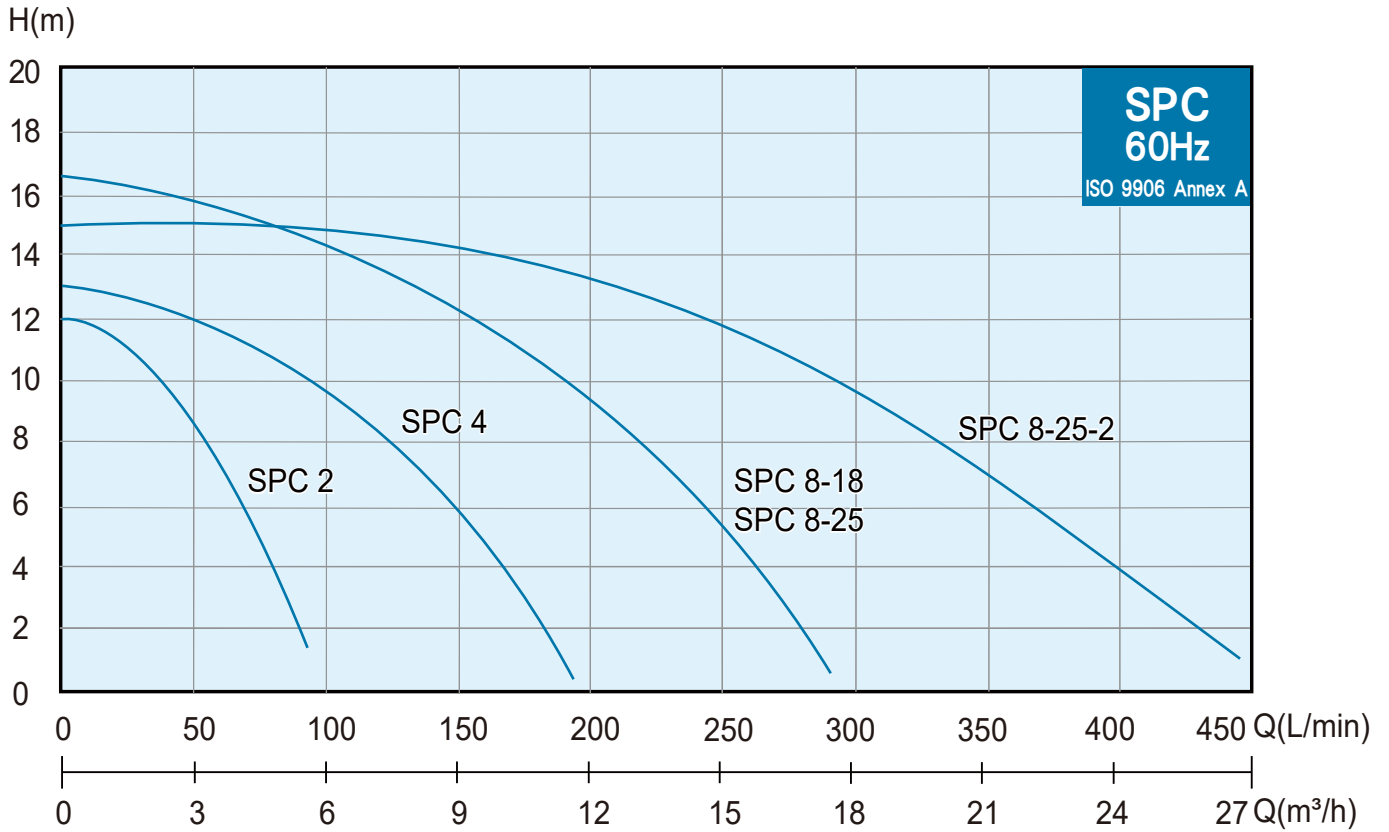
Model	Power [w]	Discharge [inch]	Head [M]	Flow [L/min]	Max.Amp	
					220-240V	380-415V
SPC 2-18	170	1/2 "	8.5	75	0.8 - 0.9	0.49 - 0.53
SPC 2-25	170	1/2 "	8.5	75	0.8 - 0.9	0.49 - 0.53
SPC 4-18	405	3/4 "	9	150	1.5 - 1.6	0.8 - 1.0
SPC 4-25	405	3/4 "	9	150	1.5 - 1.6	0.8 - 1.0
SPC 8-18	770	1 "	12	240	2.9 - 3.0	1.7 - 1.9
SPC 8-25	770	1 "	12	240	2.9 - 3.0	1.7 - 1.9
SPC 8-25-2	770	2 "	11	380	2.9 - 3.0	1.7 - 1.9

Dimensions and Weights



Model	Dimensions (mm)												Weight (kg)	Units/Pallet	Pallet Dimension
	A	B	C	D	E	F	G	H	I	J	K	L			L x W x H (cm)
SPC 2-18	185	365	180	115	85	RP1/2"	21	110	160	120	4*ø8	PCD 158	9.5	50	100 x 100 x 167
SPC 2-25	185	435	250	115	85	RP1/2"	21	110	160	120	4*ø8	PCD 158	10.5		100 x 100 x 167
SPC 4-18	225	405	180	115	90	RP3/4"	25	120	170	135	4*ø8	PCD 170	11.0		110 x 110 x 167
SPC 4-25	225	475	250	115	90	RP3/4"	25	120	170	135	4*ø8	PCD 170	12.0		110 x 110 x 167
SPC 8-18	270	450	180	115	95	RP1"	30	130	190	150	4*ø8	PCD 185	14.0		105 x 110 x 123
SPC 8-25	270	520	250	115	95	RP1"	30	130	190	150	4*ø8	PCD 185	15.2		95 x 110 x 123
SPC 8-25-2	280	545	260	115	136	RP2"	45	180	200	165	4*ø12	PCD 220	18.2		110 x 110 x 183

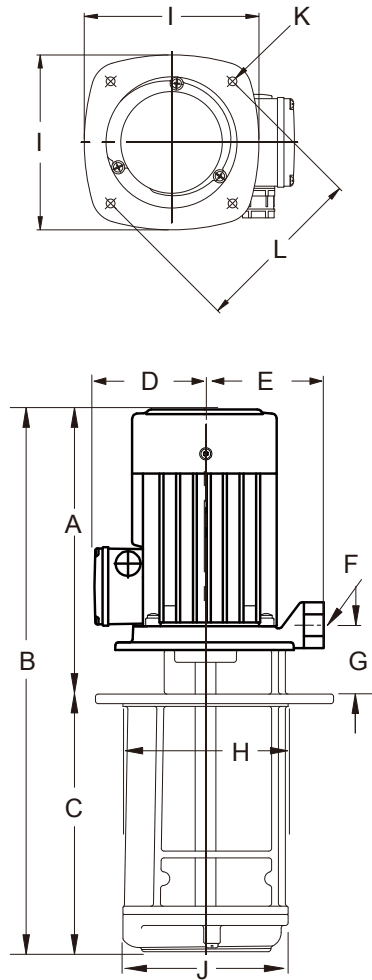
Performance Range



Specifications

Model	Power [w]	Discharge [inch]	Head [M]	Flow [L/min]	Max.Amp	
					220-255V	380-480V
SPC 2-18	305	1/2 "	12	90	0.9 - 1.0	0.5 - 0.42
SPC 2-25	305	1/2 "	12	90	0.9 - 1.0	0.5 - 0.42
SPC 4-18	650	3/4 "	13	190	1.9 - 2.1	1.0 - 0.84
SPC 4-25	650	3/4 "	13	190	1.9 - 2.1	1.0 - 0.84
SPC 8-18	1160	1 "	16.5	290	3.4 - 3.5	1.9 - 1.72
SPC 8-25	1160	1 "	16.5	290	3.4 - 3.5	1.9 - 1.72
SPC 8-25-2	1160	2 "	15	460	3.4 - 3.5	1.9 - 1.72

Dimensions and Weights



Model	Dimensions (mm)												Weight (kg)	Units/Pallet	Pallet Dimension
	A	B	C	D	E	F	G	H	I	J	K	L			L x W x H (cm)
SPC 2-18	185	365	180	115	85	RP1/2"	21	110	160	120	4*ø8	PCD 158	50	100 x 100 x 167	
SPC 2-25	185	435	250	115	85	RP1/2"	21	110	160	120	4*ø8	PCD 158		100 x 100 x 167	
SPC 4-18	225	405	180	115	90	RP3/4"	25	120	170	135	4*ø8	PCD 170		110 x 110 x 167	
SPC 4-25	225	475	250	115	90	RP3/4"	25	120	170	135	4*ø8	PCD 170		110 x 110 x 167	
SPC 8-18	270	450	180	115	95	RP1"	30	130	190	150	4*ø8	PCD 185		105 x 110 x 123	
SPC 8-25	270	520	250	115	95	RP1"	30	130	190	150	4*ø8	PCD 185		95 x 110 x 123	
SPC 8-25-2	280	545	260	115	136	RP2"	45	180	200	165	4*ø12	PCD 220		110 x 110 x 183	



No. 3-8, Sanchial Tsun, Lutsao Hsiang, Chiayi County, Taiwan, R.O.C.
Tel :+886 5 3750488 Fax:+886 5 3752330
www.stairs.com.tw E-mail:stairs@stairs.com.tw

1110112